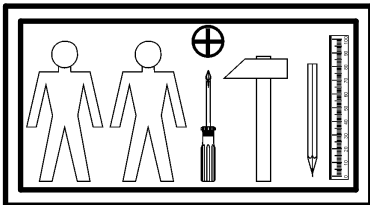
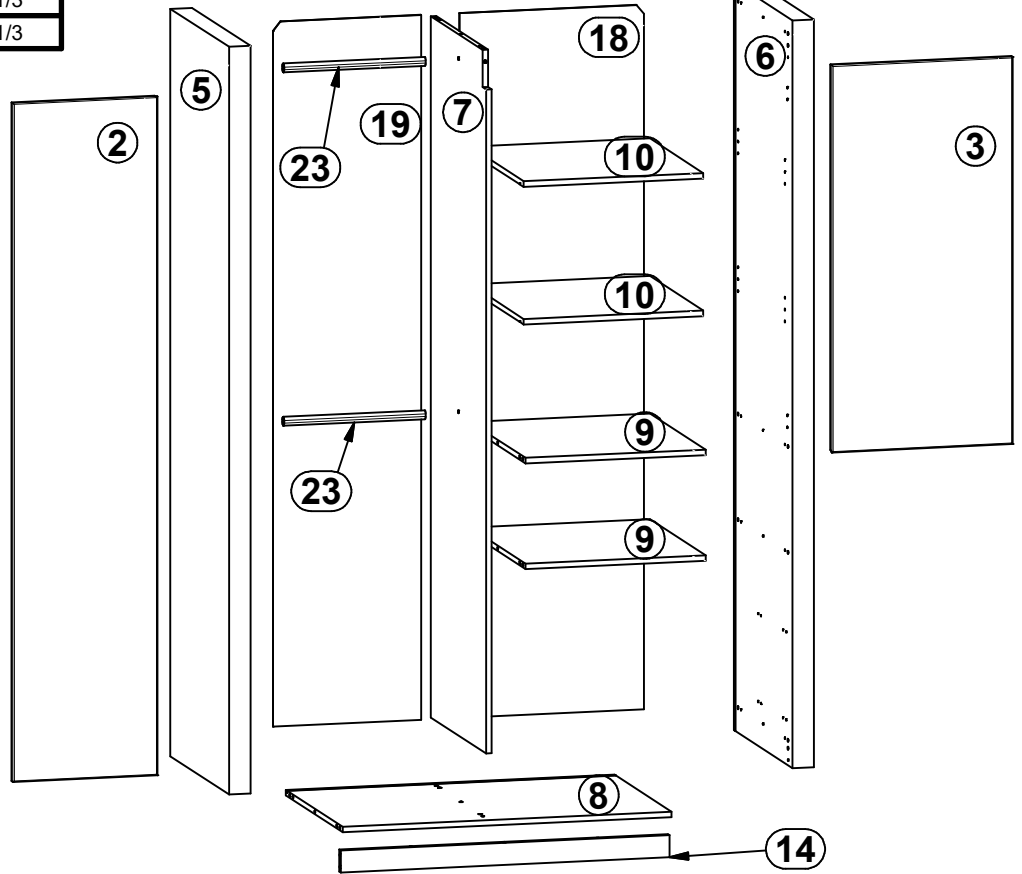
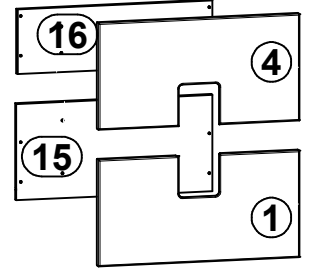
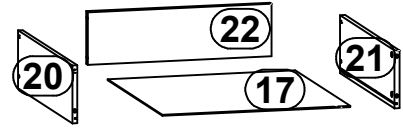
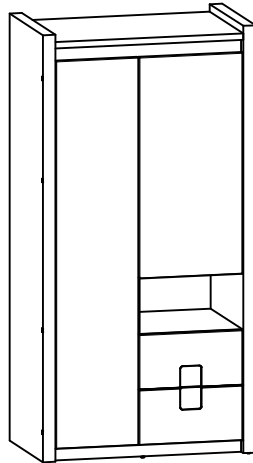
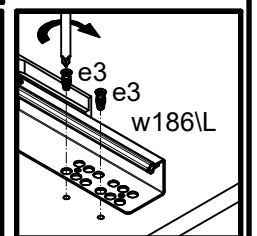
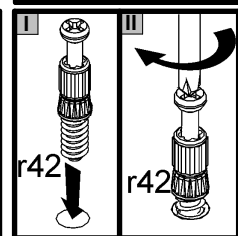
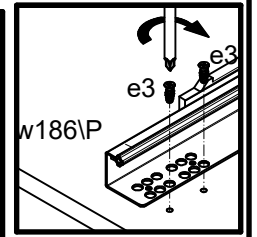
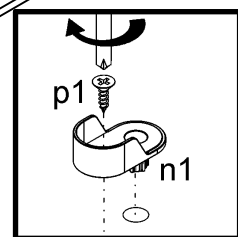
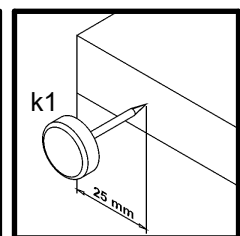
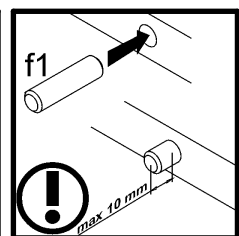
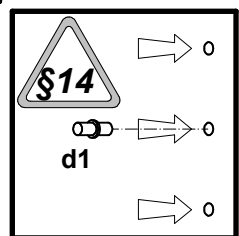
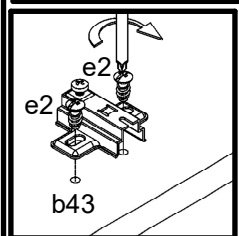
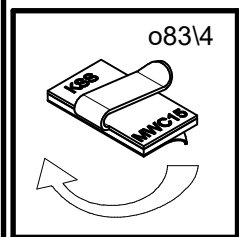
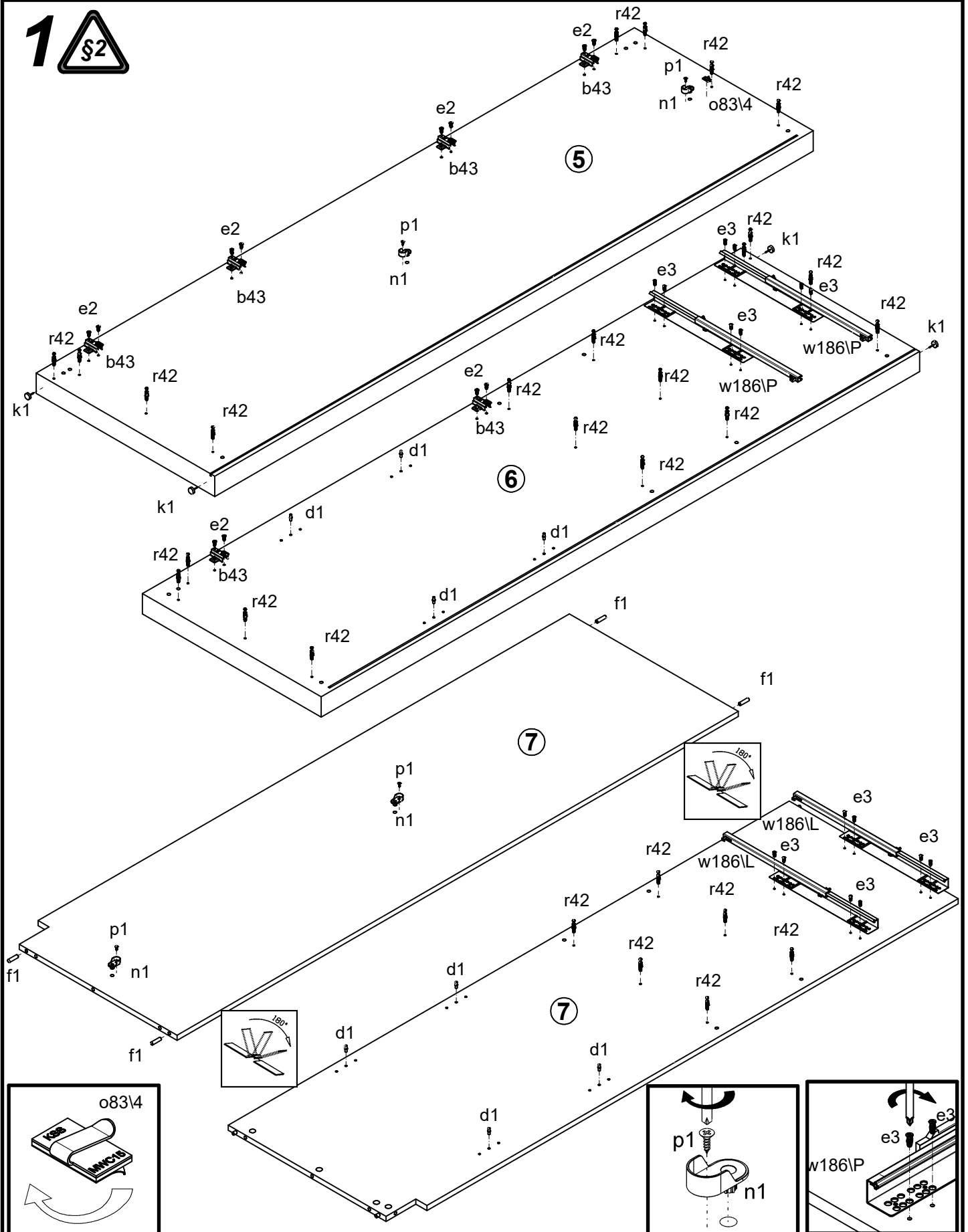


A	B	C	D	
1	S420-0010	496	258	3/3
2	S420-0018	1824	396	3/3
3	S420-0019	1041	496	3/3
4	S420-0020	496	258	3/3
5	S420-1016	2009	600	2/3
6	S420-1017	2009	600	2/3
7	S420-1018	1884	567	2/3
8	S420-3018	901	583	1/3
9	S420-3019	493	567	1/3
10	S420-3020	492	547	1/3
11	S420-3021	901	599	1/3
12	S420-4004	901	78	1/3
13	S420-5003	901	37	1/3
14	S420-4006	901	60	1/3
15	S420-4007	484	233	3/3
16	S420-4034	481	156	3/3
17	S420-9012	505	463	1/3
18	S420-9013	1894	505	3/3
19	S420-9014	1894	406	3/3
20	ZQ6-515	500	140	1/3
21	ZQ6-516	500	140	1/3
22	ZQ6-5023	453	127	1/3
23	dr-388	388,	30	1/3

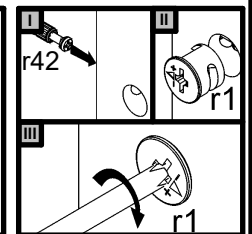
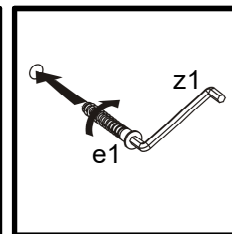
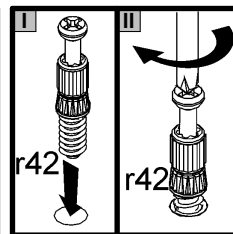
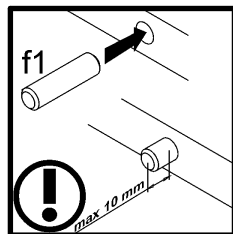
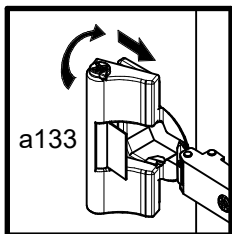
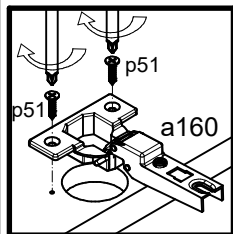
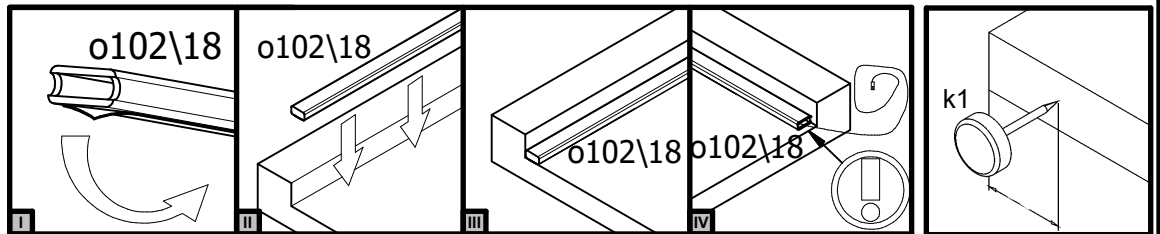
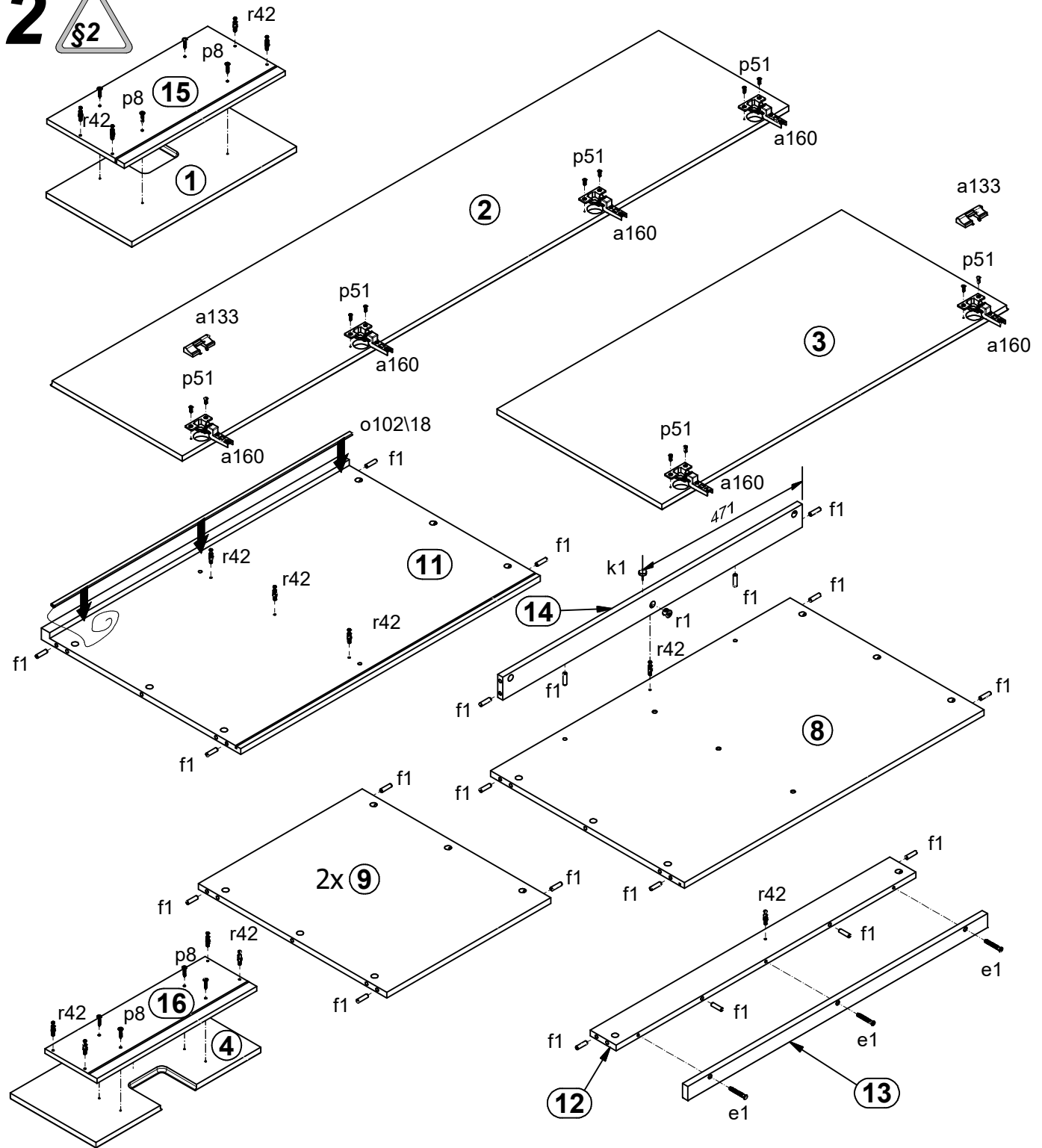


2x a133	6x a160	6x b43	8x d1	6x e1	12x e2	16x e3	8x f25	28x f1
5x k1	14x l2	4x n1	1x n26	6x n108	1x o102118	1x o8314	4x p1	8x p8
7x p38	12x p51	16x p55	33x r1	8x r15	41x r42	2x w186L	2x w186P	3x s1
16x s2	1x z1	1x o7019						

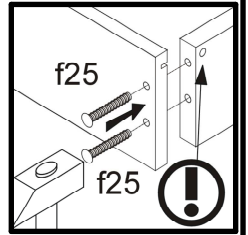
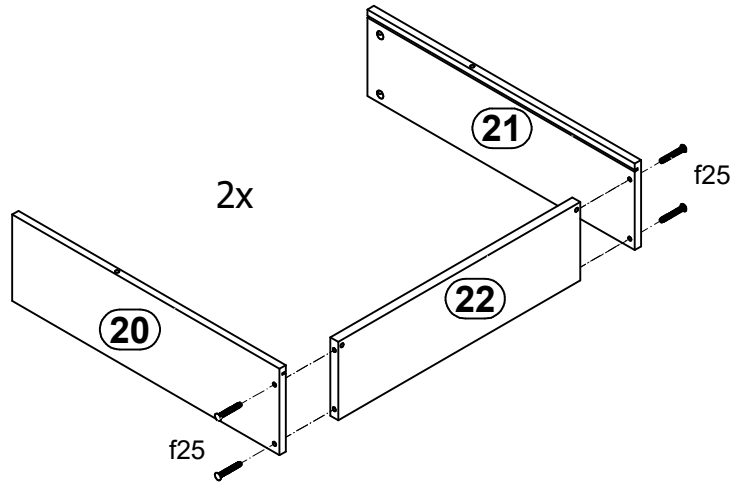
1 



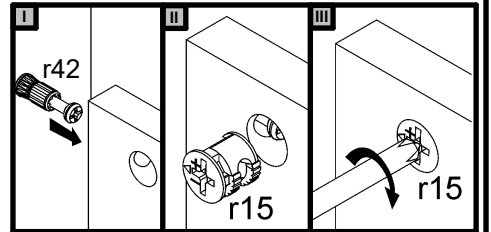
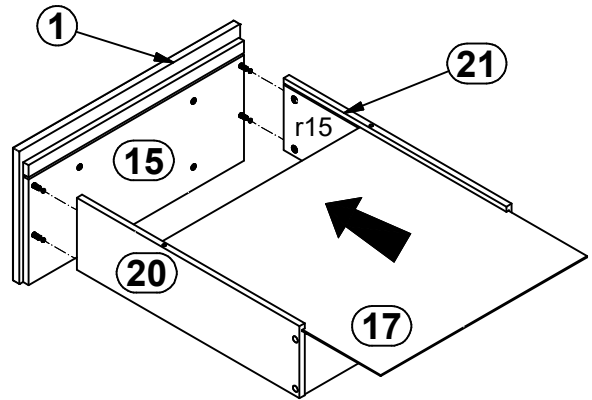
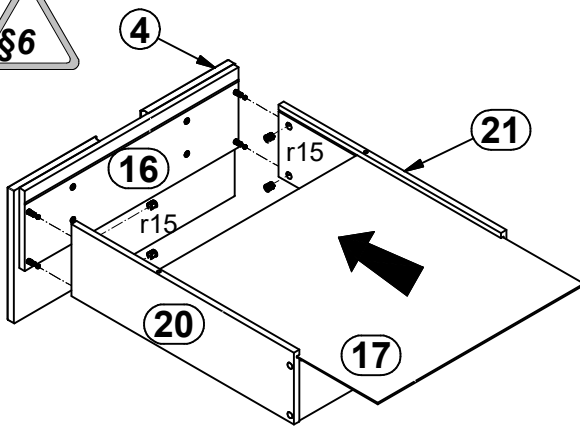
2



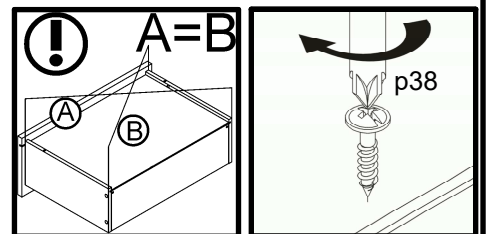
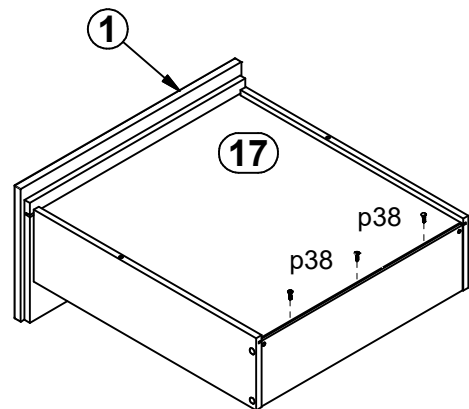
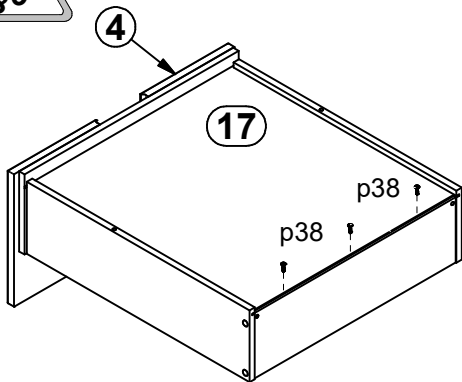
3



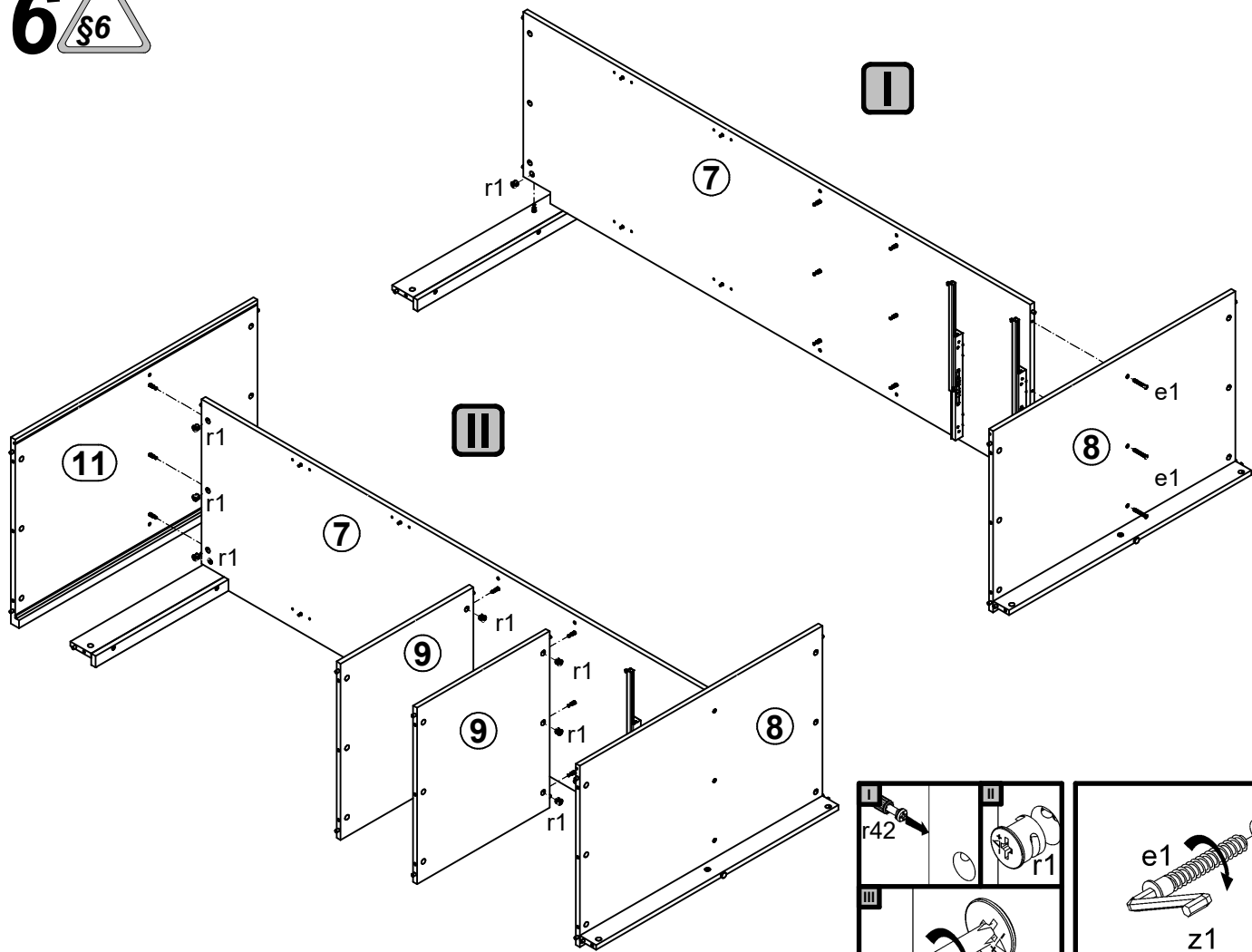
4



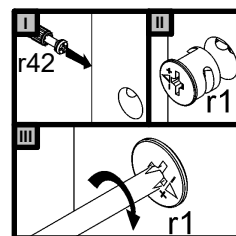
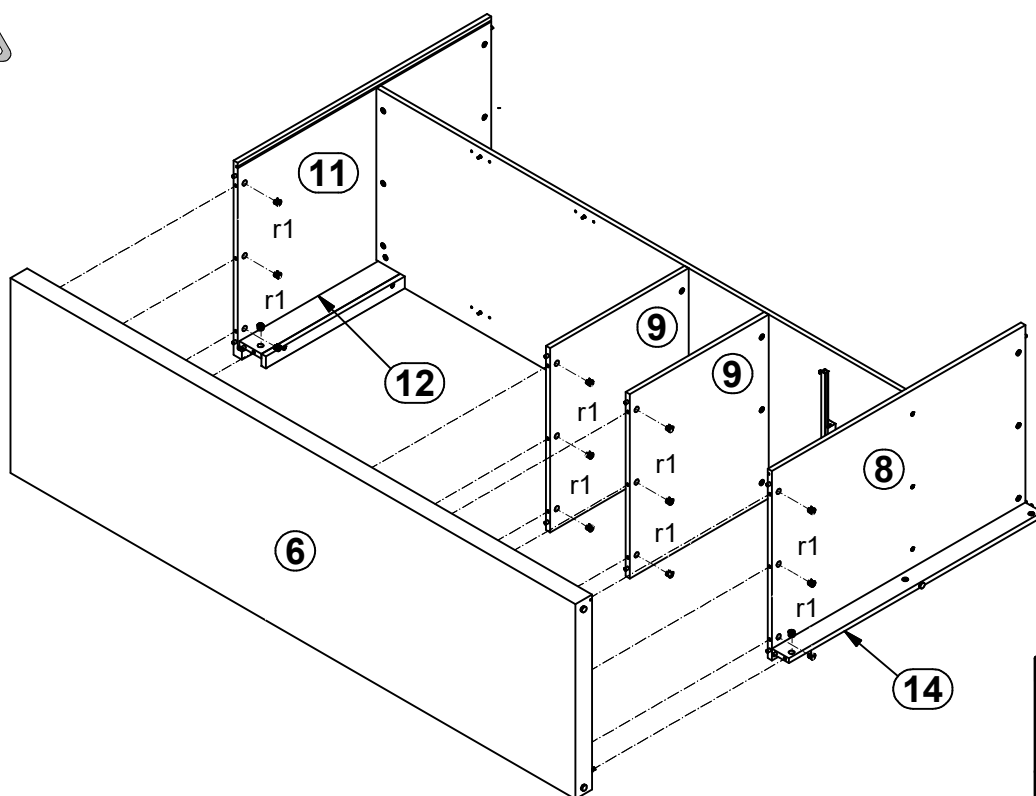
5



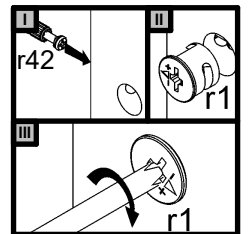
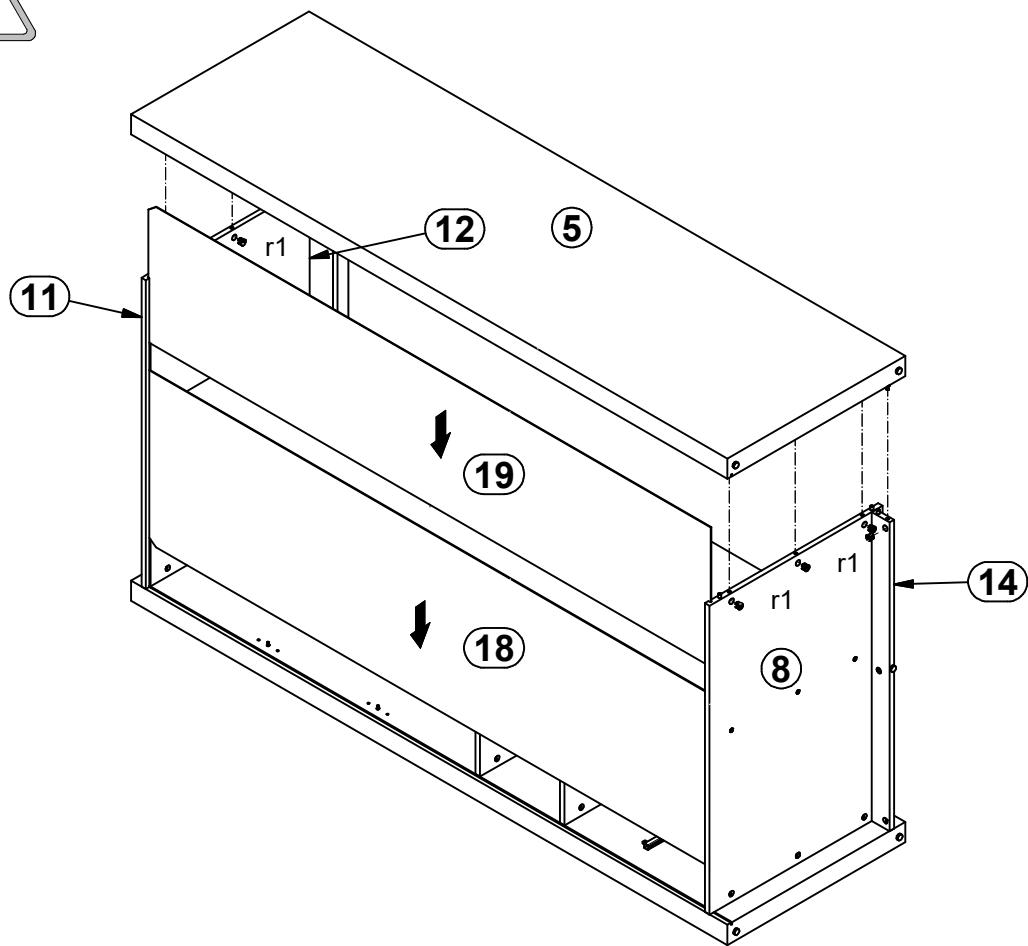
6 §6



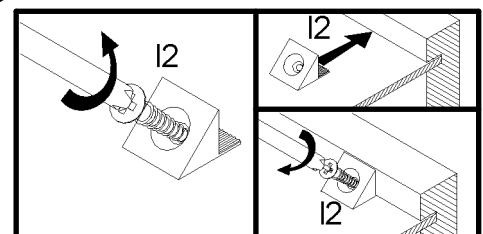
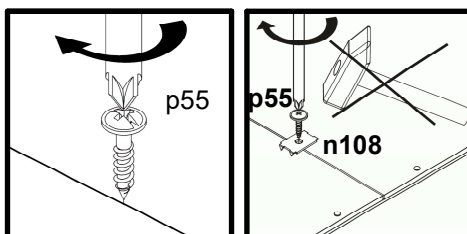
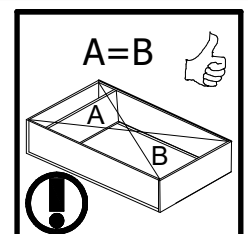
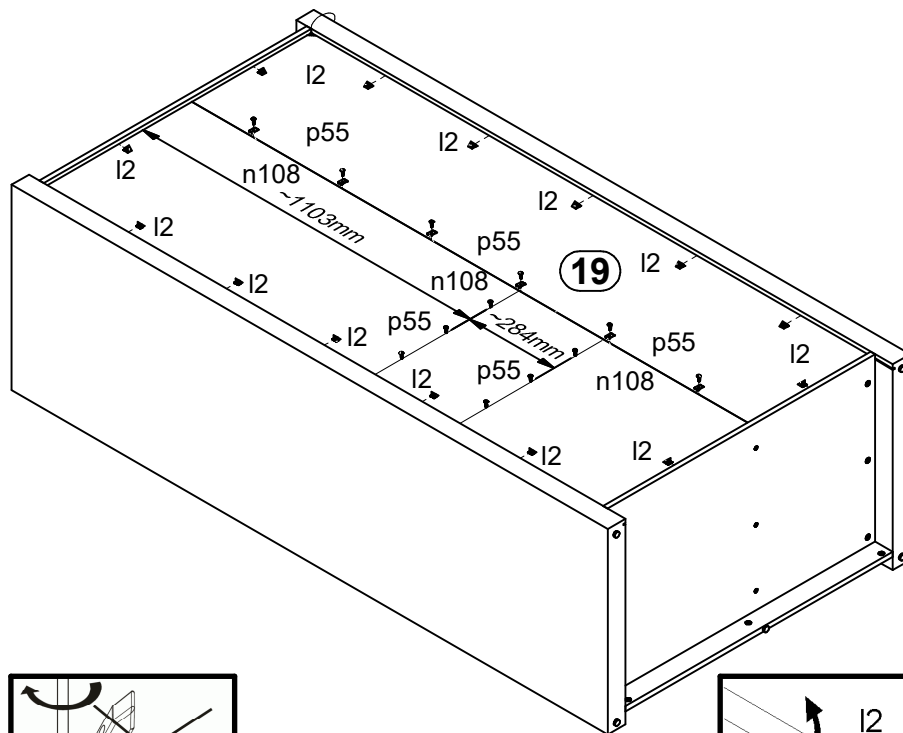
7 §6



8



9



10

