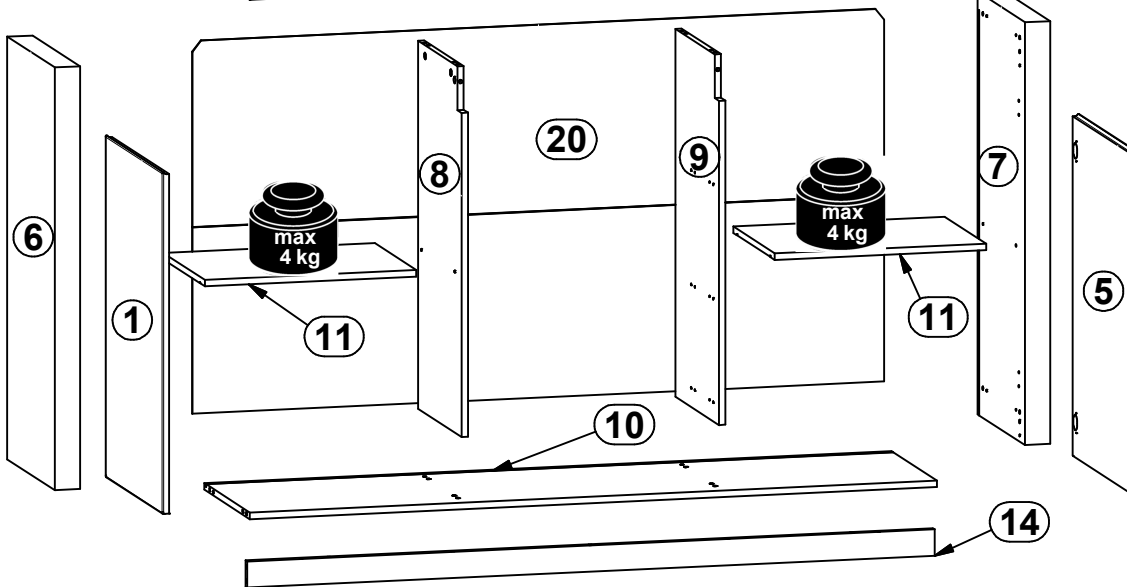
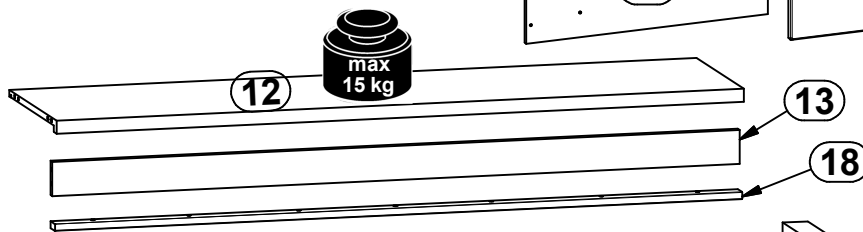
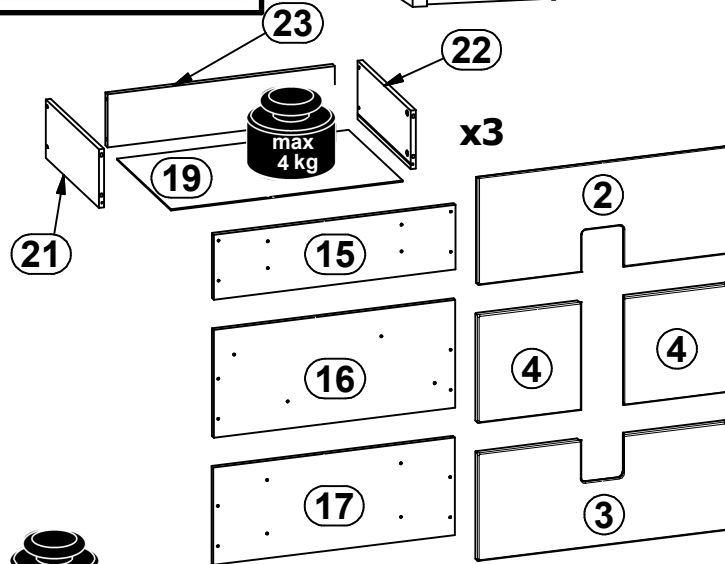
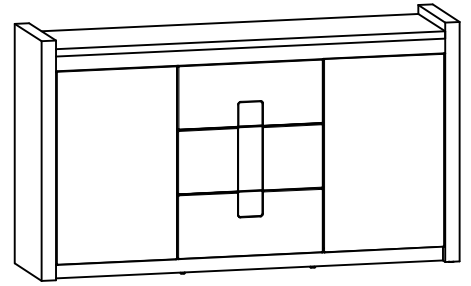
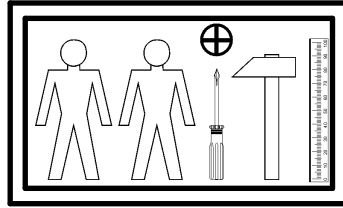
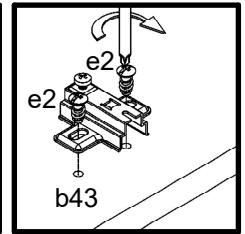
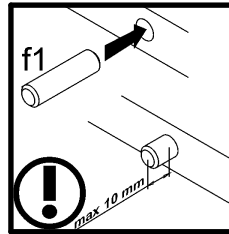
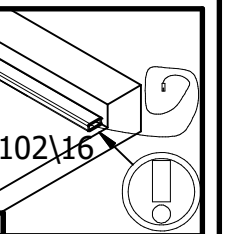
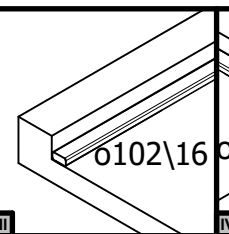
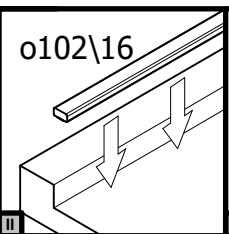
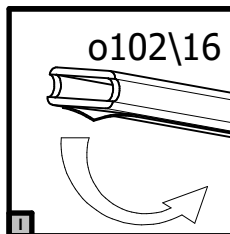
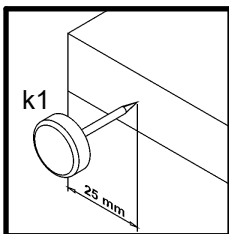
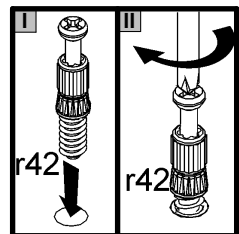
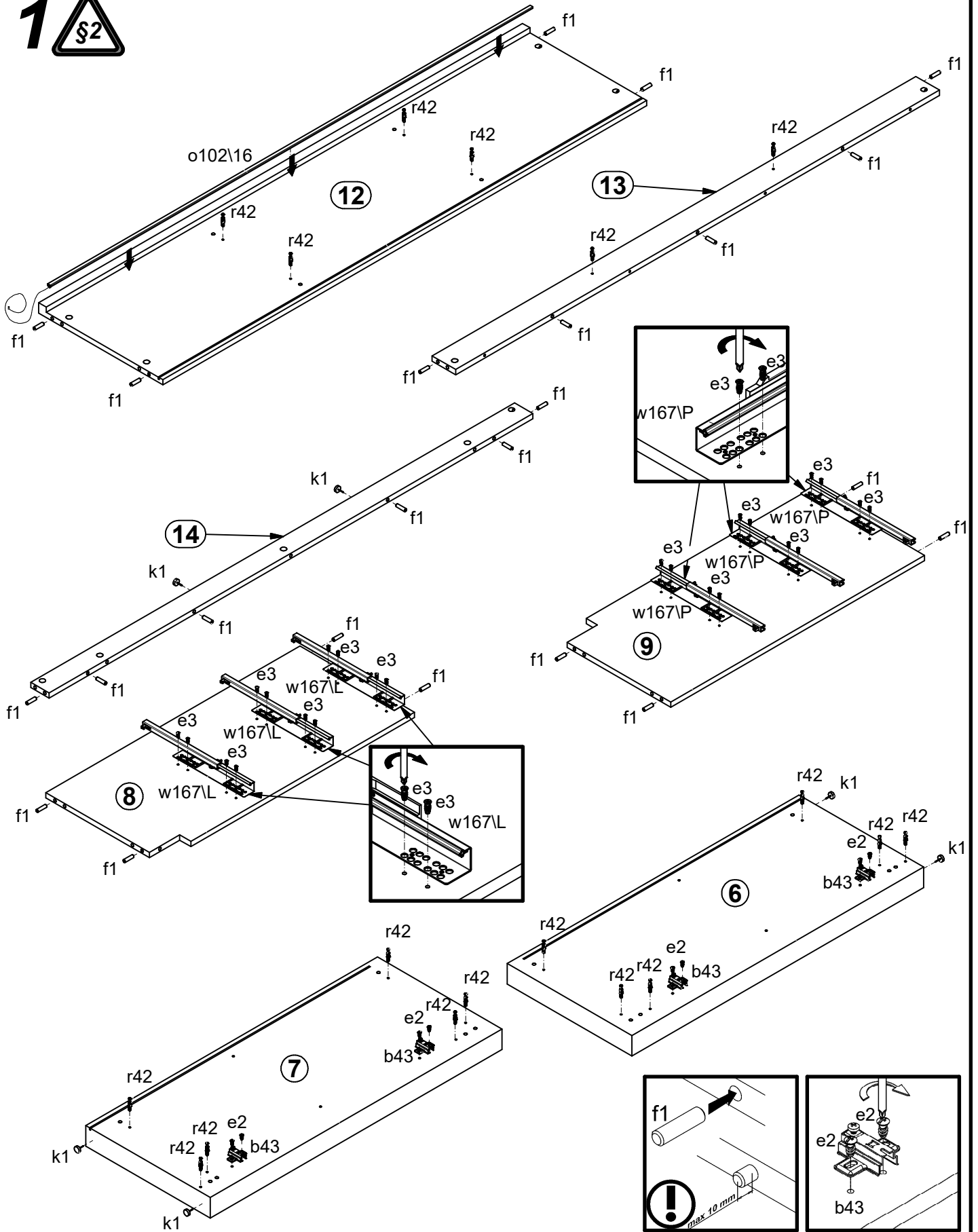


A	B	C	D	
1	S420-0001	780	496	3/3
2	S420-0002	596	258	3/3
3	S420-0003	596	258	3/3
4	S420-0004	248	258	3/3
5	S420-0006	780	496	3/3
6	S420-1001	965	412	1/3
7	S420-1002	965	412	1/3
8	S420-1003	840	379	2/3
9	S420-1004	840	379	2/3
10	S420-3001	1600	395	2/3
11	S420-3002	492	359	2/3
12	S420-3003	1600	411	2/3
13	S420-4001	1600	78	2/3
14	S420-4003	1600	60	2/3
15	S420-4016	578	155	3/3
16	S420-4017	578	258	3/3
17	S420-4018	578	233	3/3
18	S420-5002	1600	37	2/3
19	S420-9002	554	355	1/3
20	S420-9302	1610	851	2/3
21	ZQ6-511	350	140	1/3
22	ZQ6-512	350	140	1/3
23	ZQ6-5024	544	127	1/3

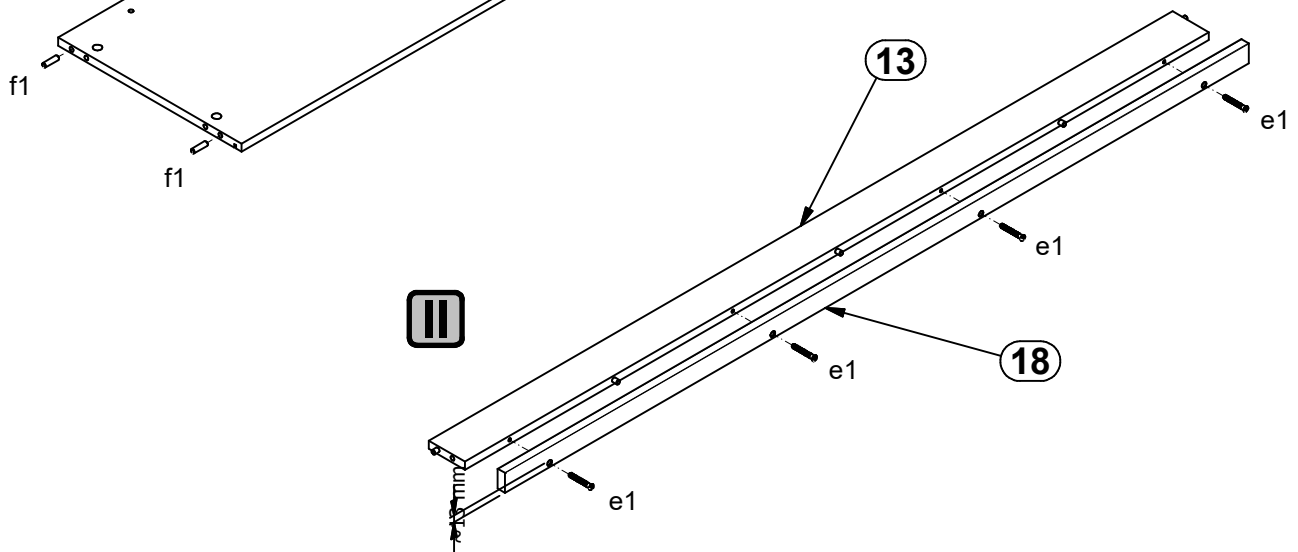
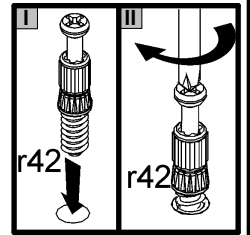
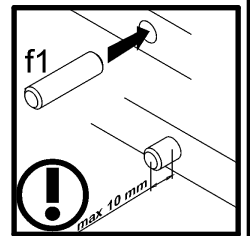
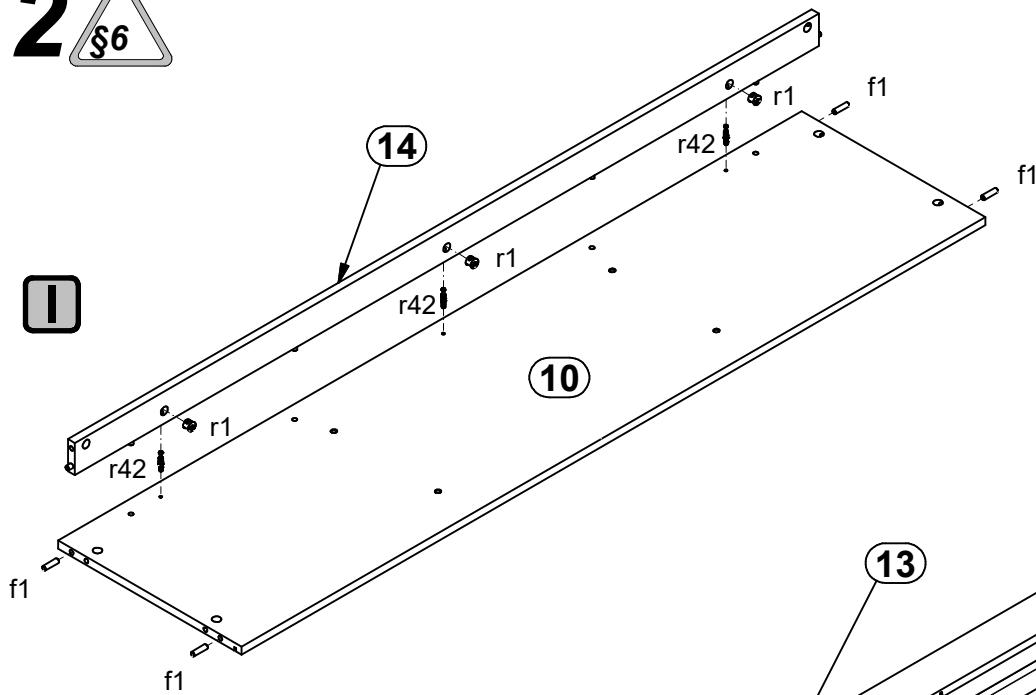


2x a133	4x a160	4x b43	8x ø5x17 mm d1	8x ø7x50 mm e1	8x ø6,3x13 mm e2	24x ø6x13 mm e3	27x ø8x30 mm f1	12x ø6,5x40 mm f25
6x k1	10x l2	1x o70/9	1x 10x18 mm o83/4	1x L=1596 mm ø102/16	12x ø4x25 mm p8	3x ø3,5x16 mm p25	3x ø3,5x10 mm p35	12x ø3,5x16 mm p38
8x ø3,5x15 mm p51	14x ø2,9x16 mm p55	21x ø15x12 mm #16 r1	12x ø12x10,5 mm #12 r15	33x 20/11 r42	3x 350 mm t35	3x 350mm w167L	3x 350mm w167P	
4x s1	1x 4 mm z1					1x n26	1x ø3,5x16 mm p38	

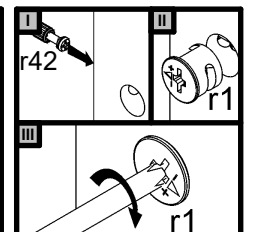
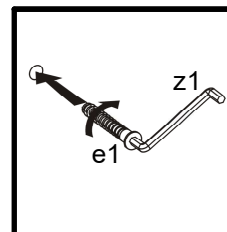
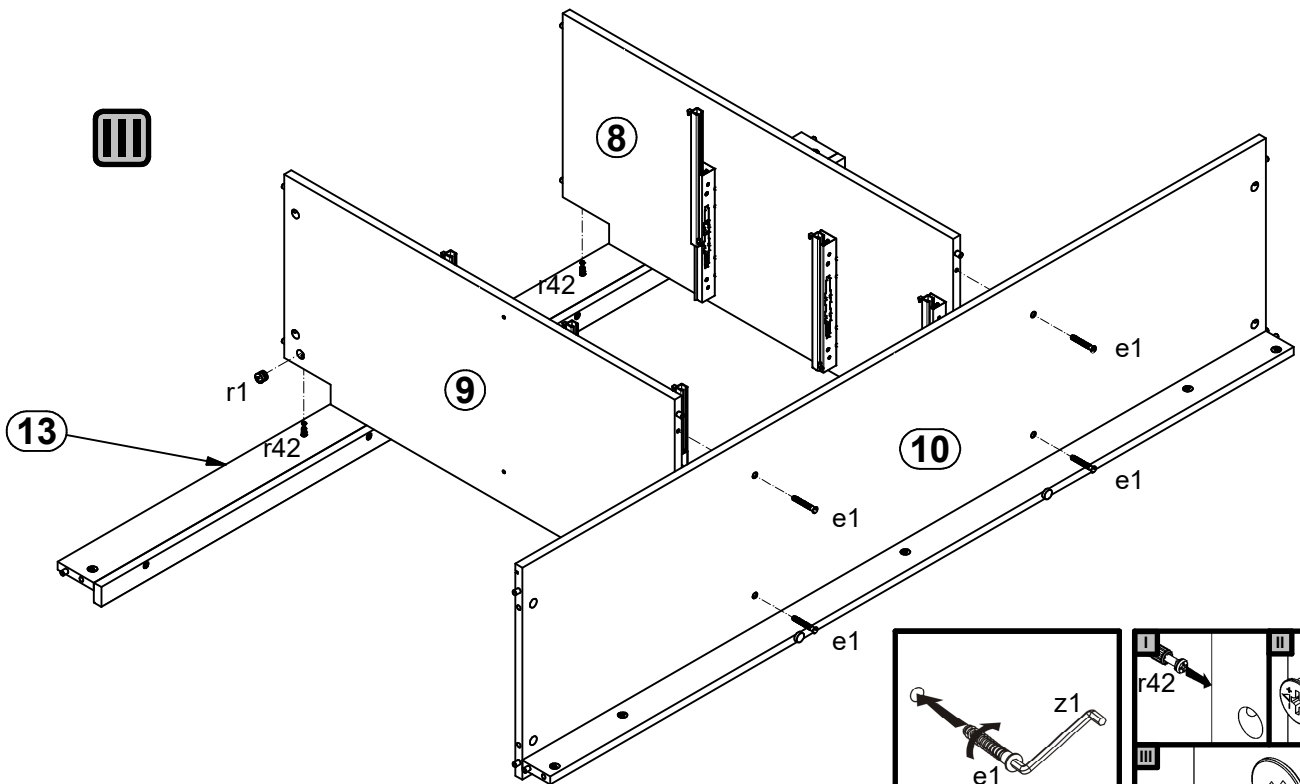
1 



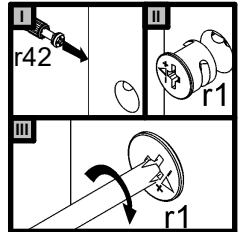
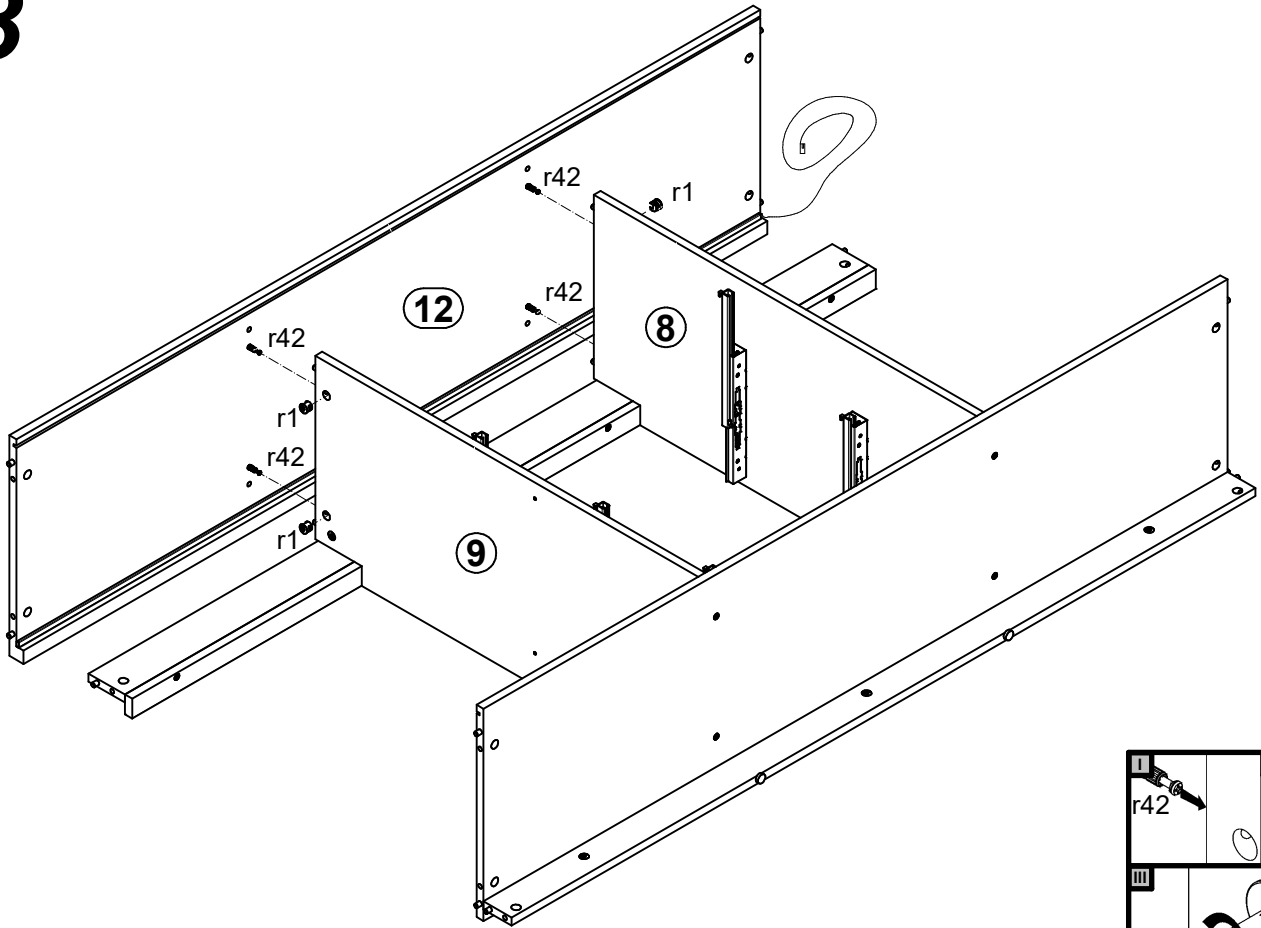
2 



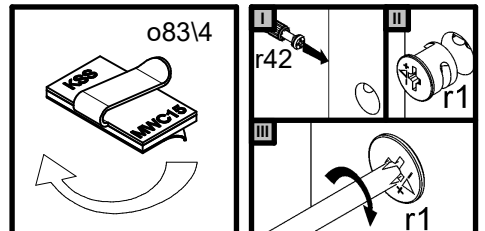
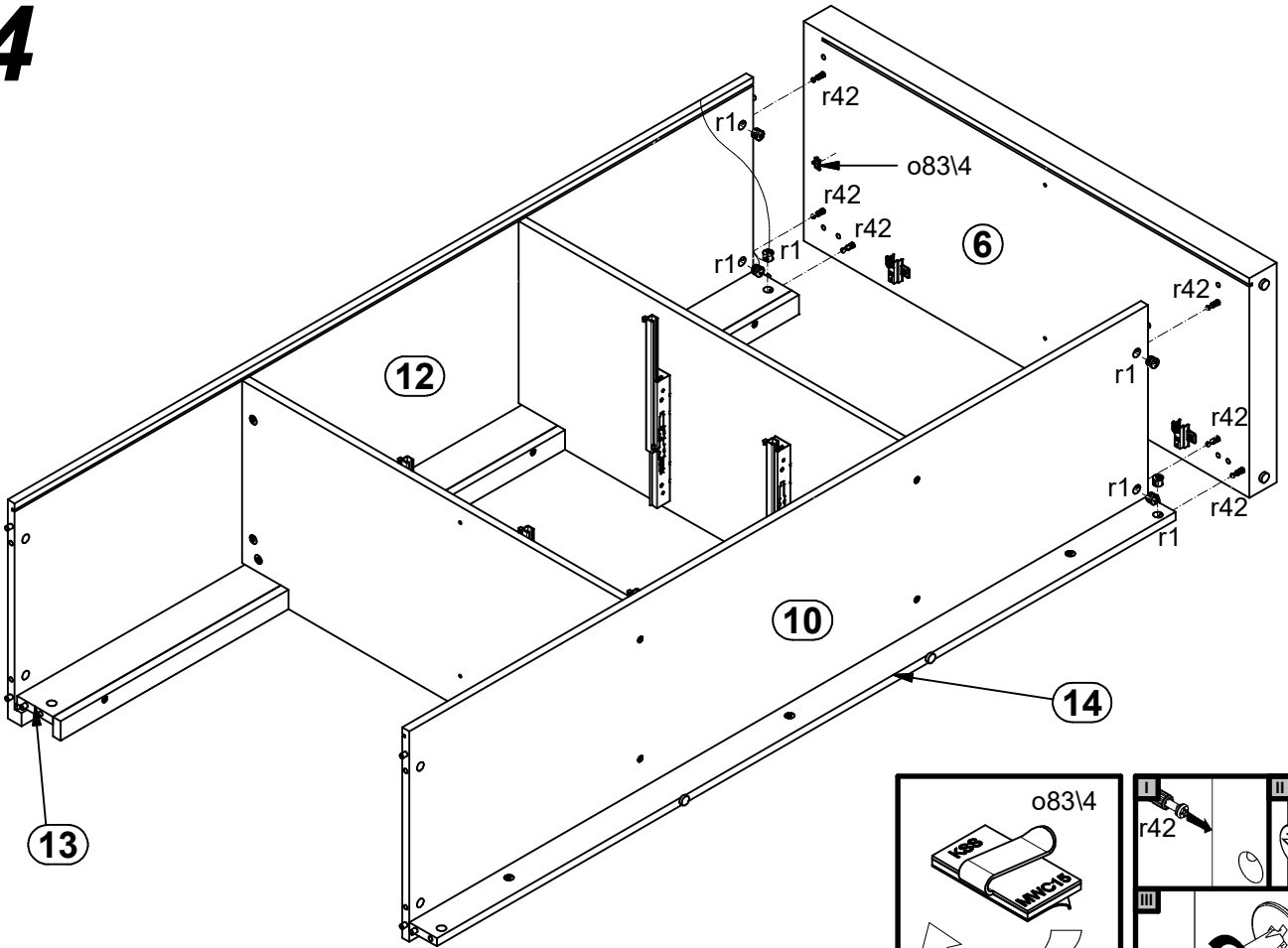
III



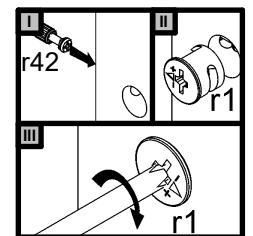
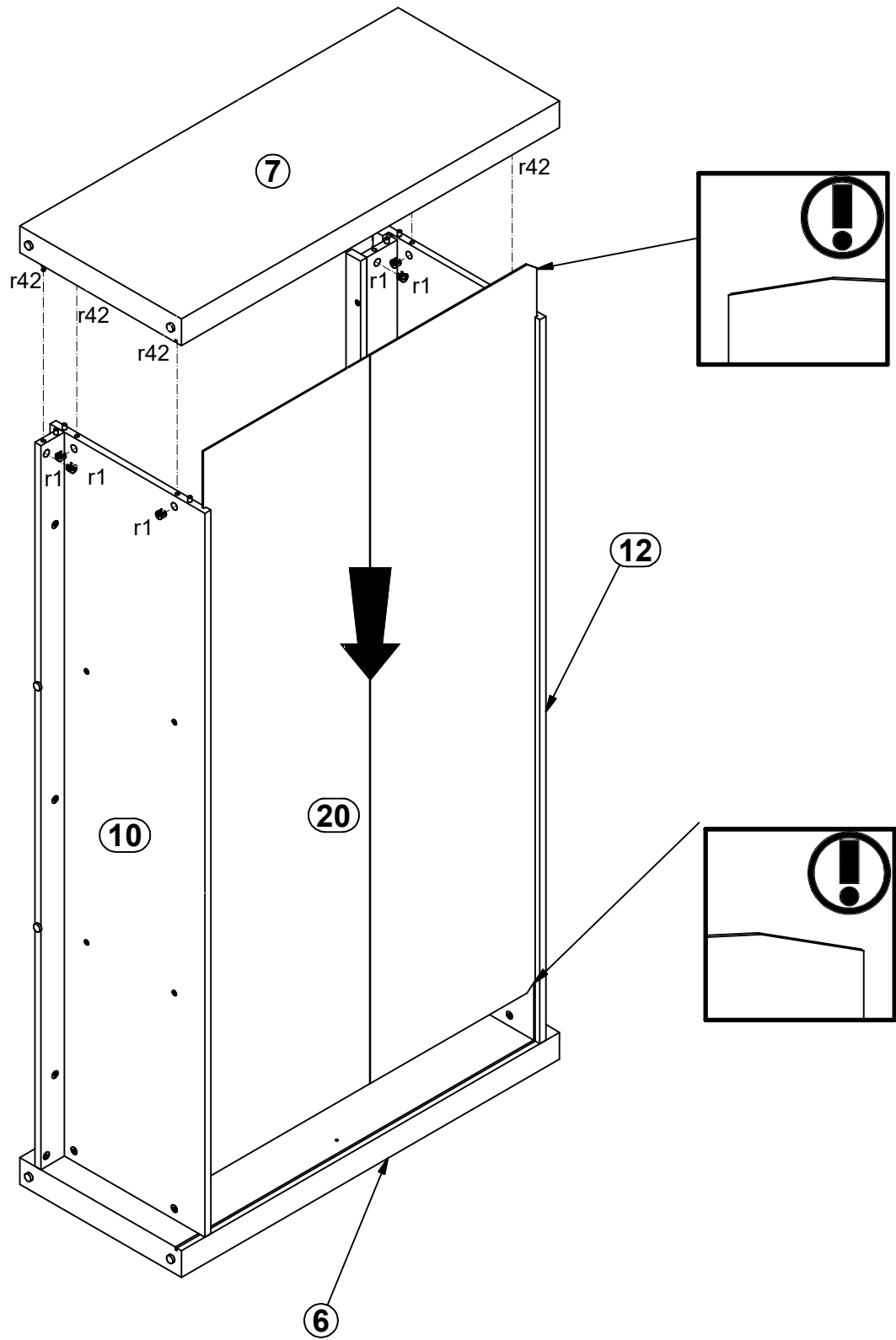
3



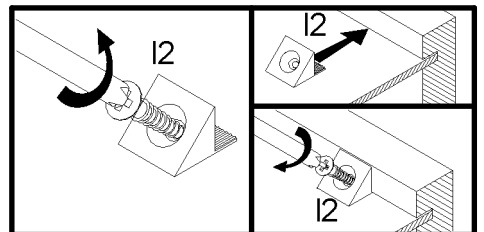
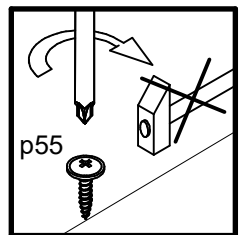
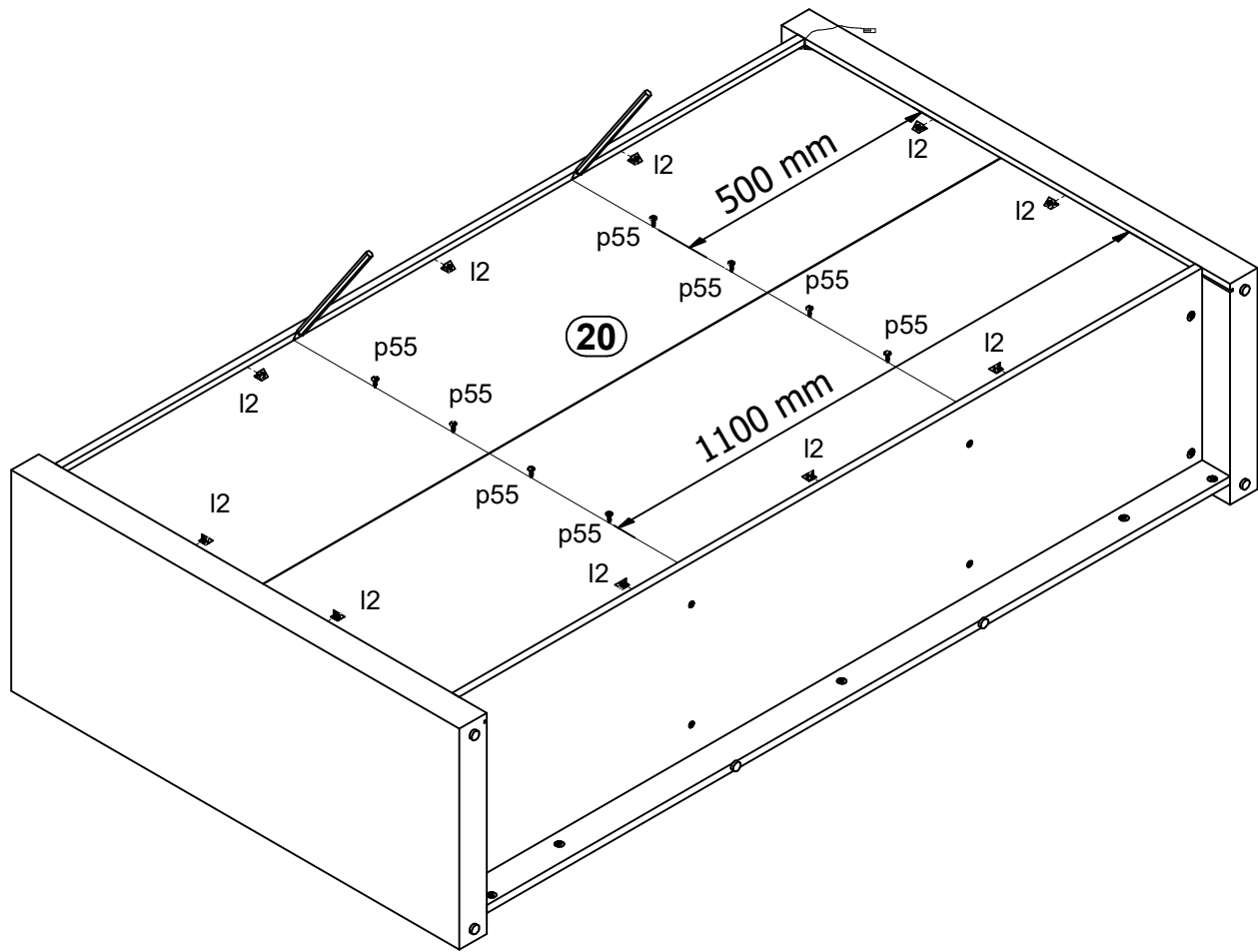
4



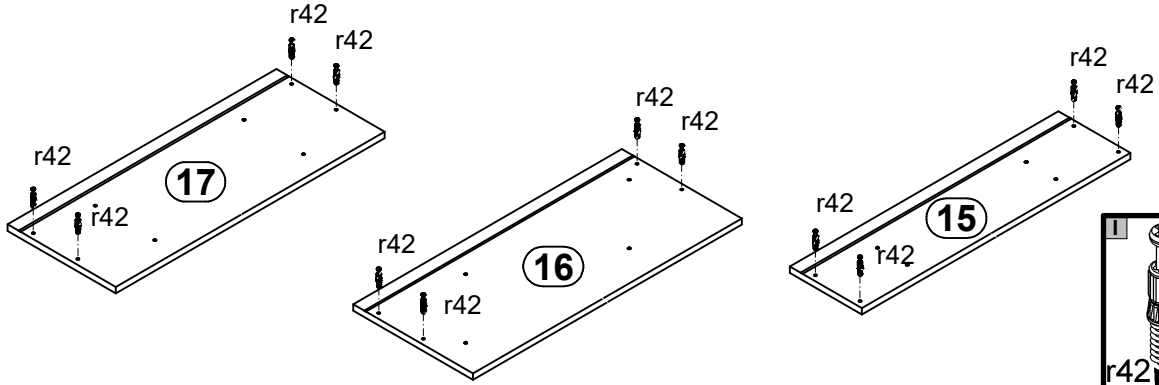
5



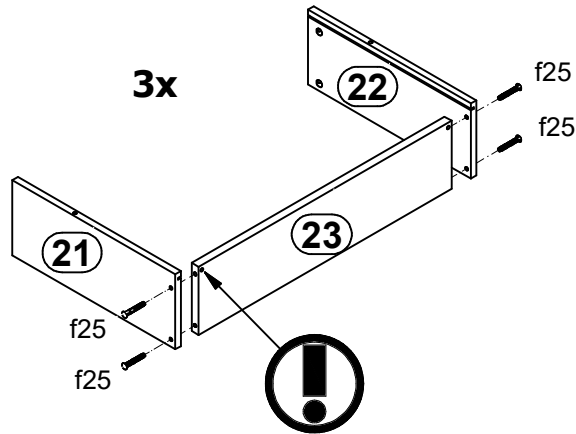
6



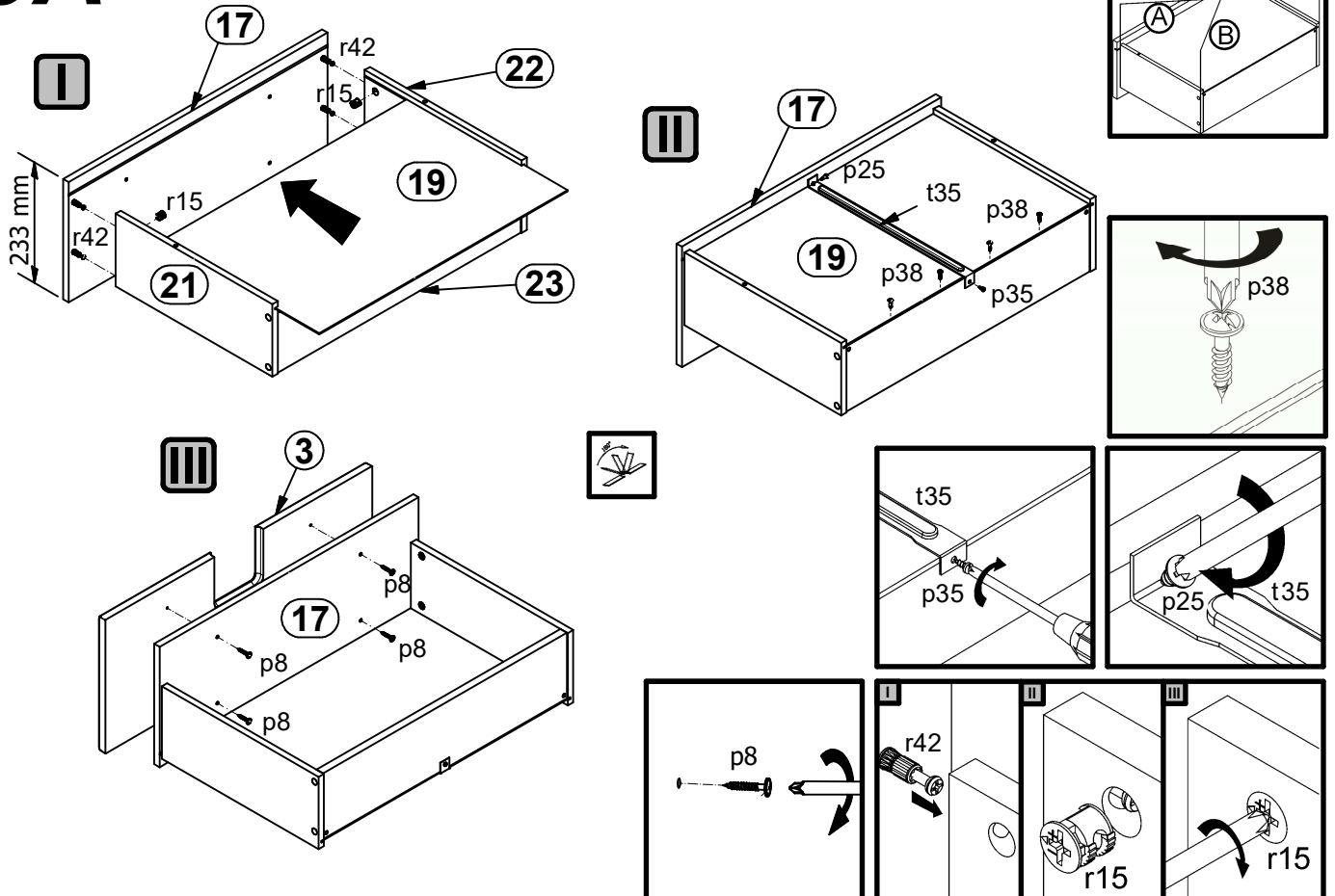
7



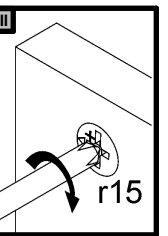
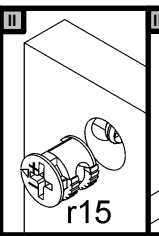
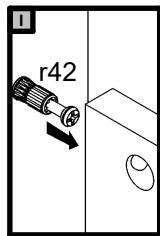
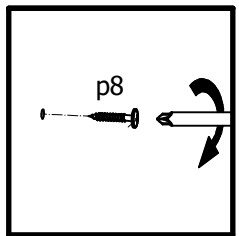
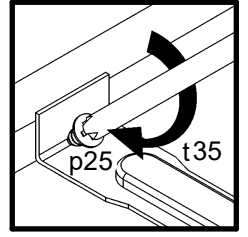
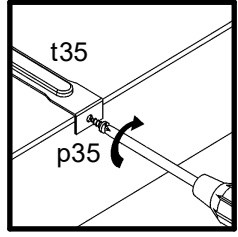
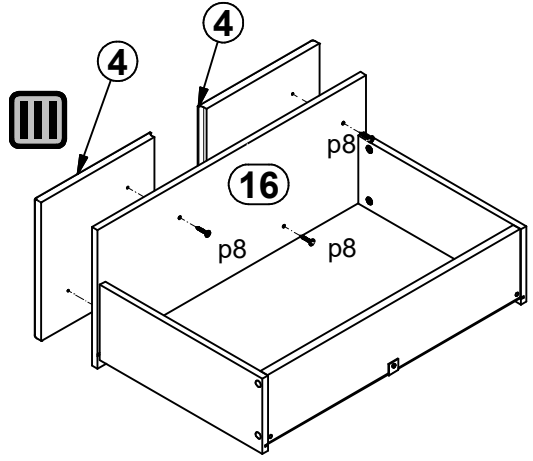
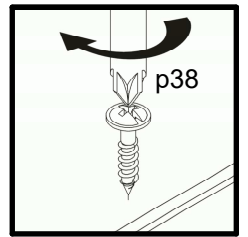
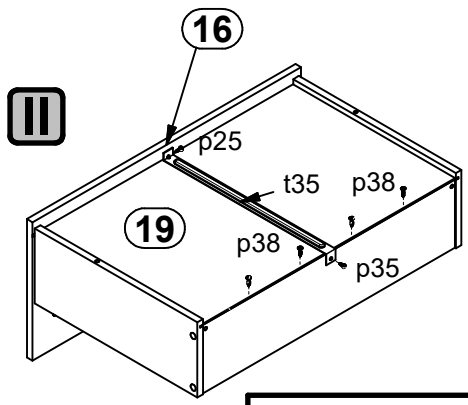
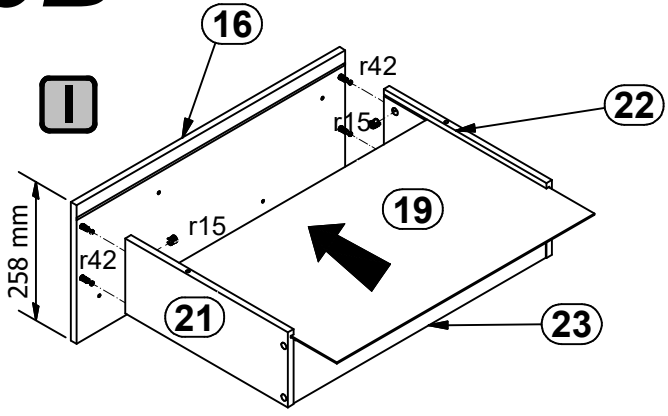
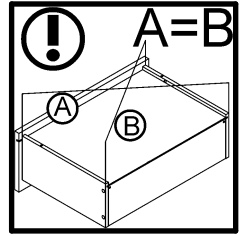
8



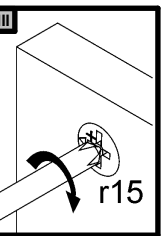
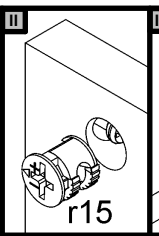
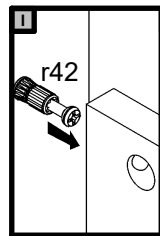
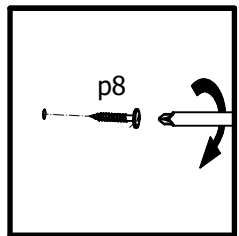
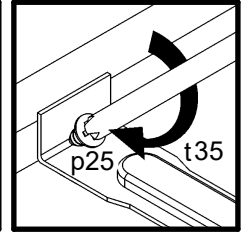
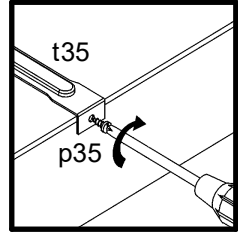
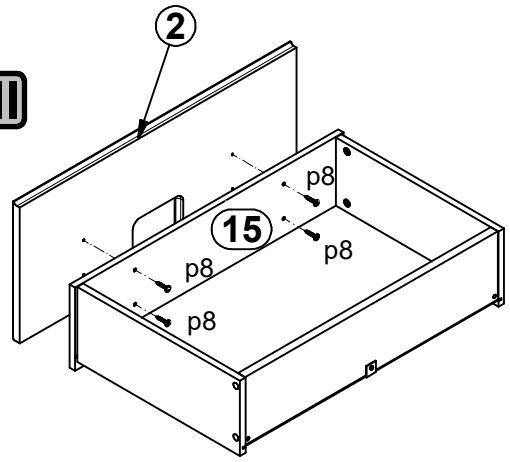
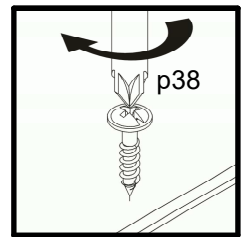
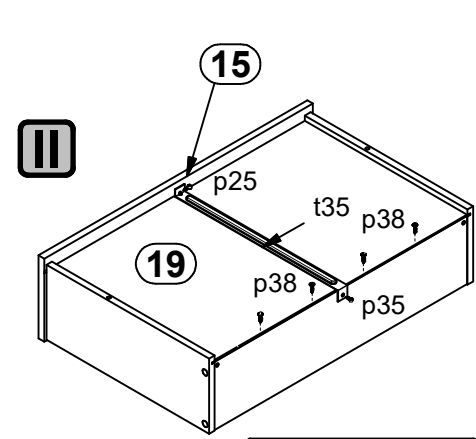
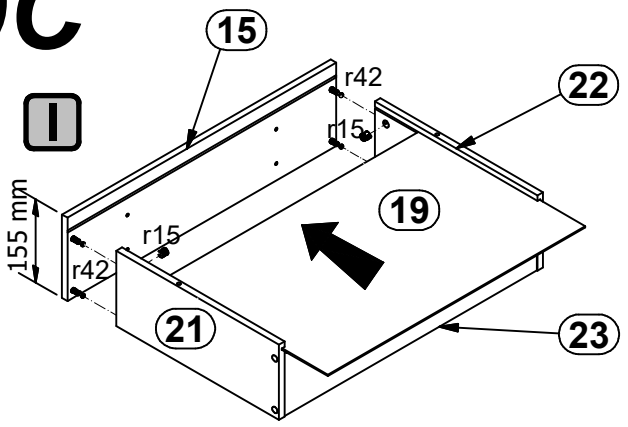
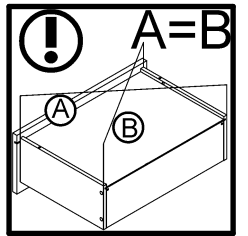
9A



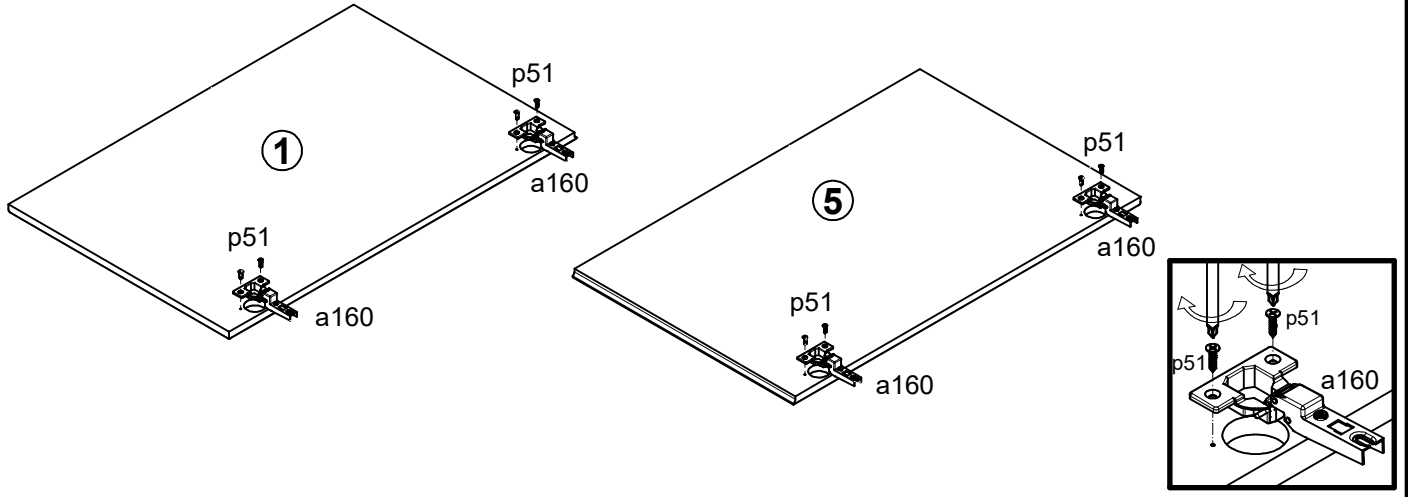
9B



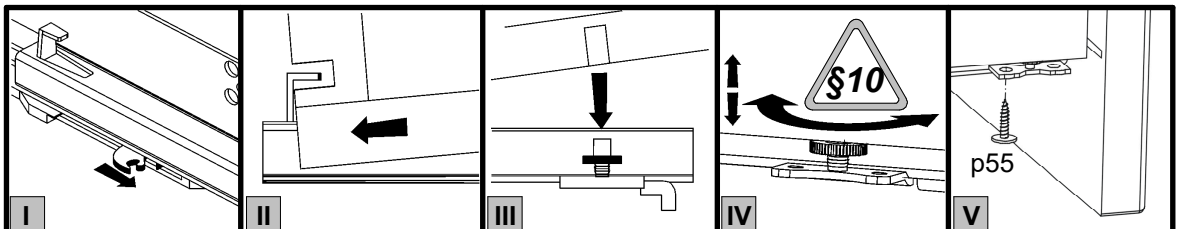
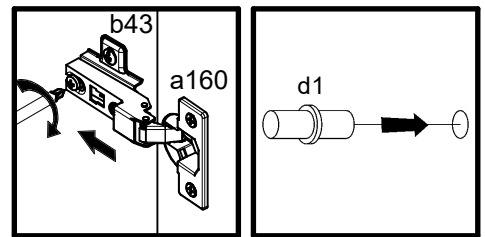
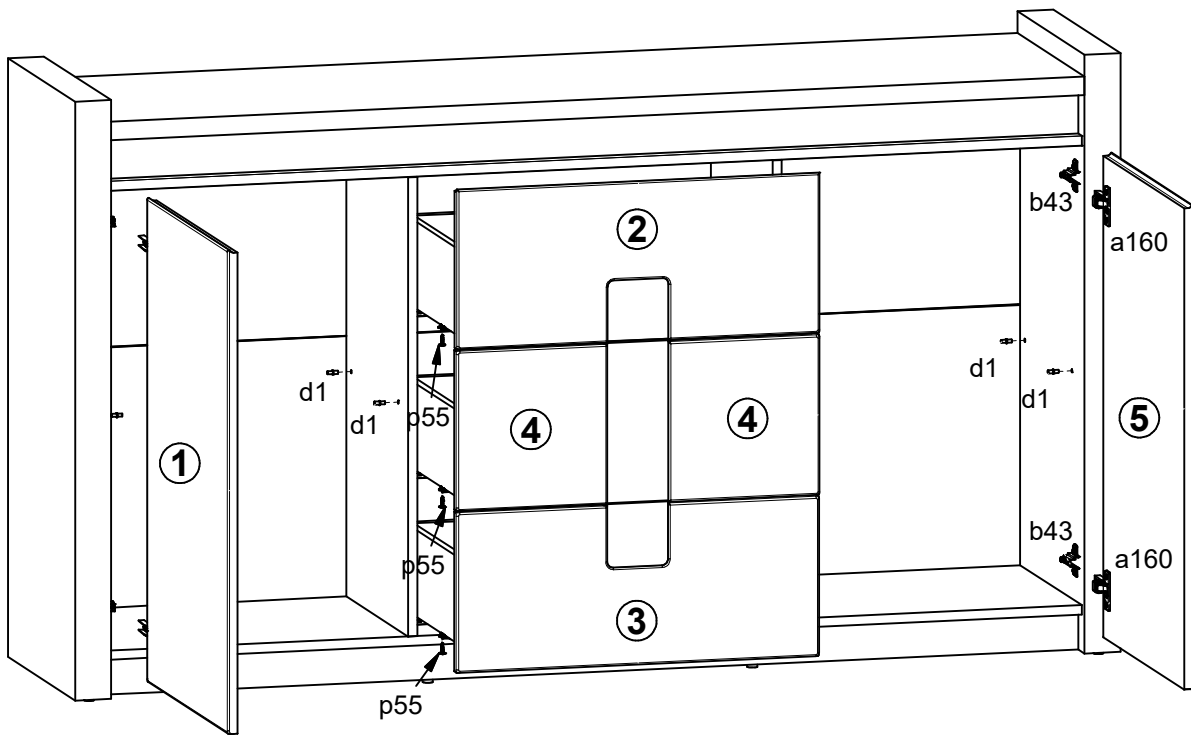
9C



10



11



12

