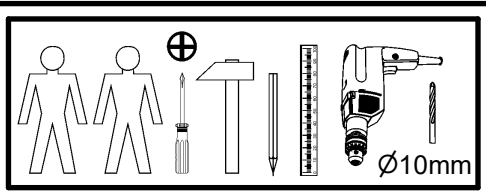
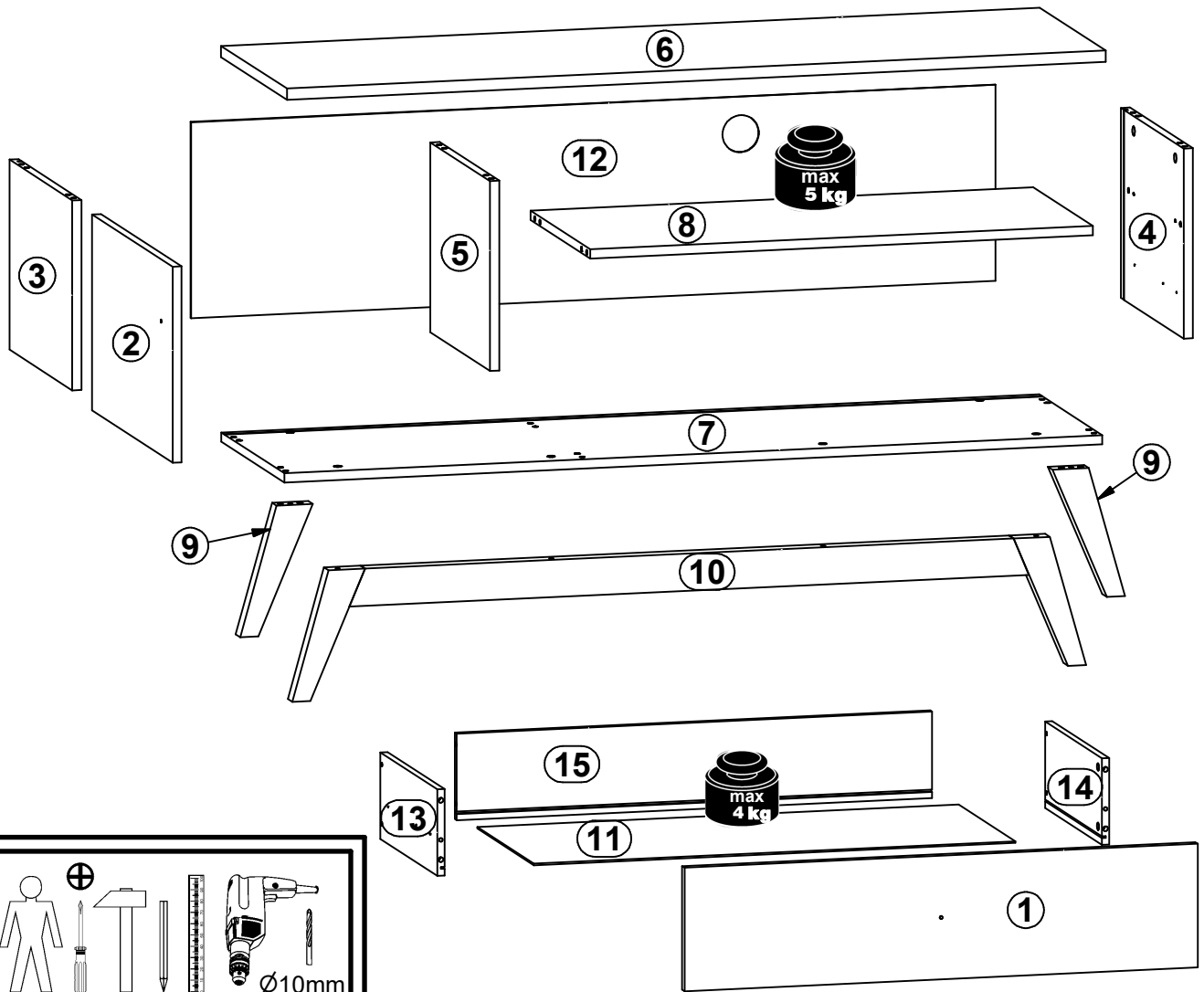
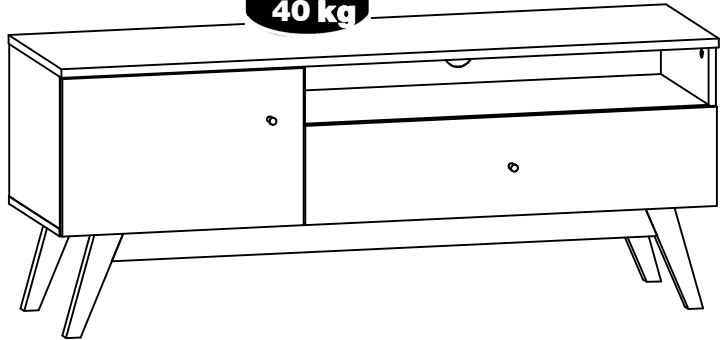
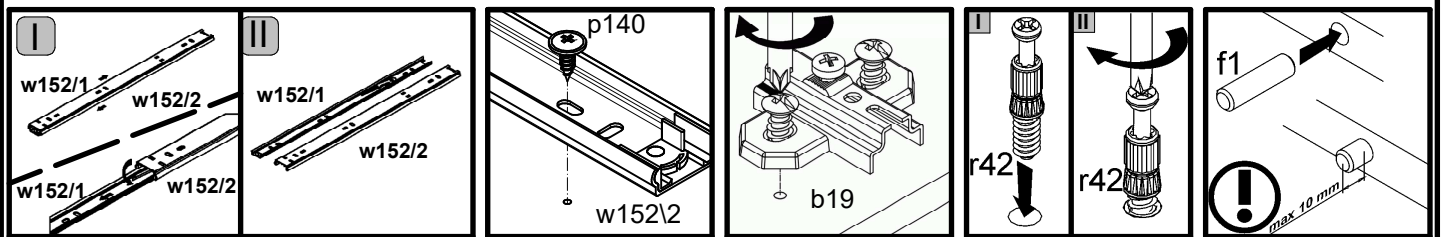
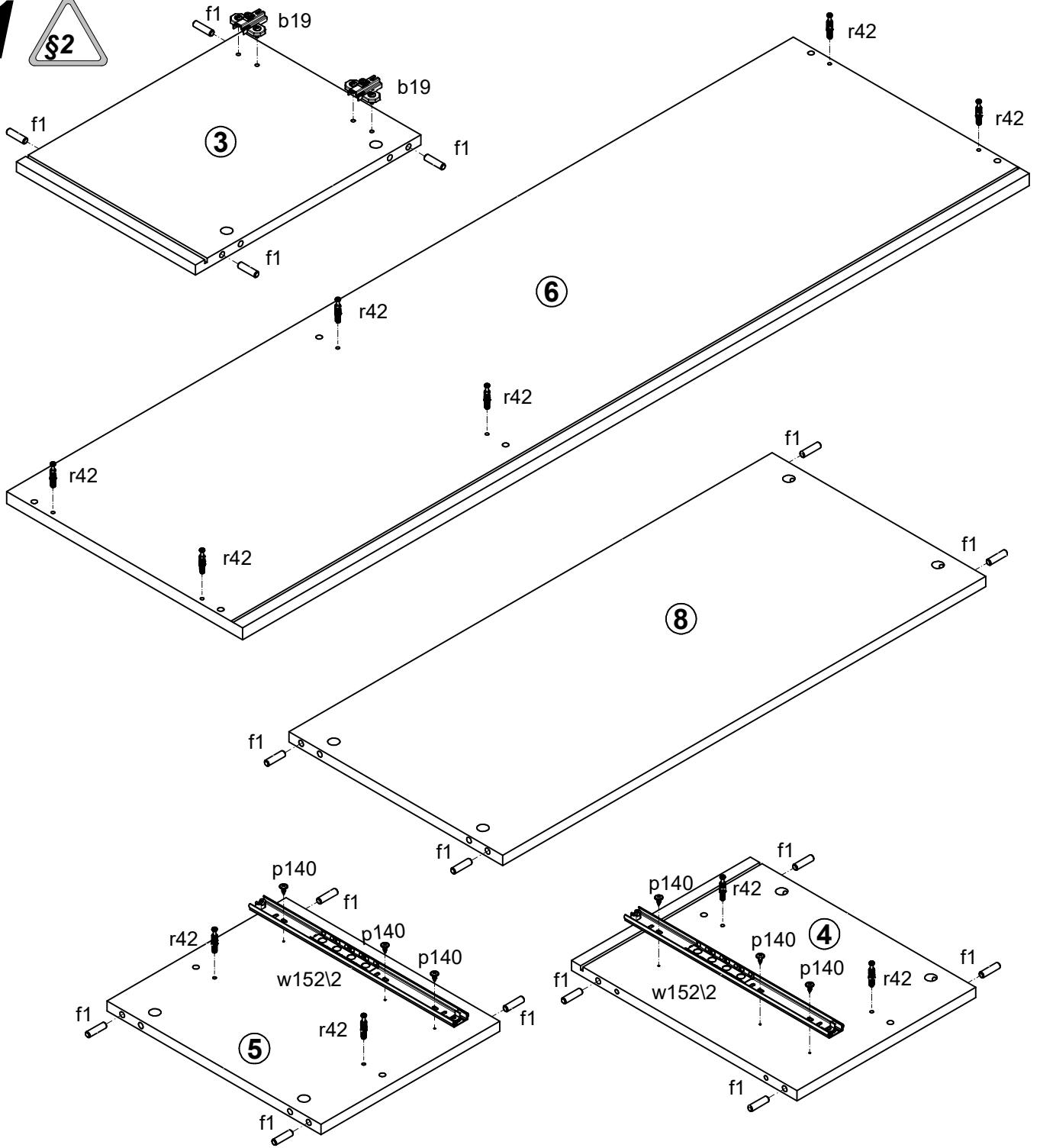


A	B	C	D	
1	S385-0008	846	200	2/2
2	S385-0009	317	496	2/2
3	S385-1014	307	387	1/2
4	S385-1015	307	387	1/2
5	S385-1016	307	367	1/2
6	S385-2011	1350	405	1/2
7	S385-2012	1349	387	1/2
8	S385-3005	829	367	1/2
9	S385-5003	210	58	1/2
10	S385-5006	1309	210	1/2
11	S385-9004	794	348	1/2
12	S385-9006	1327	317	1/2
13	ZK1-521	350	140	1/2
14	ZK1-522	350	140	1/2
15	ZS4-5514	784	140	1/2

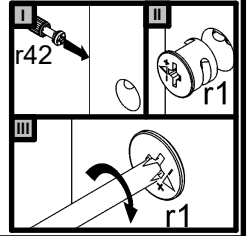
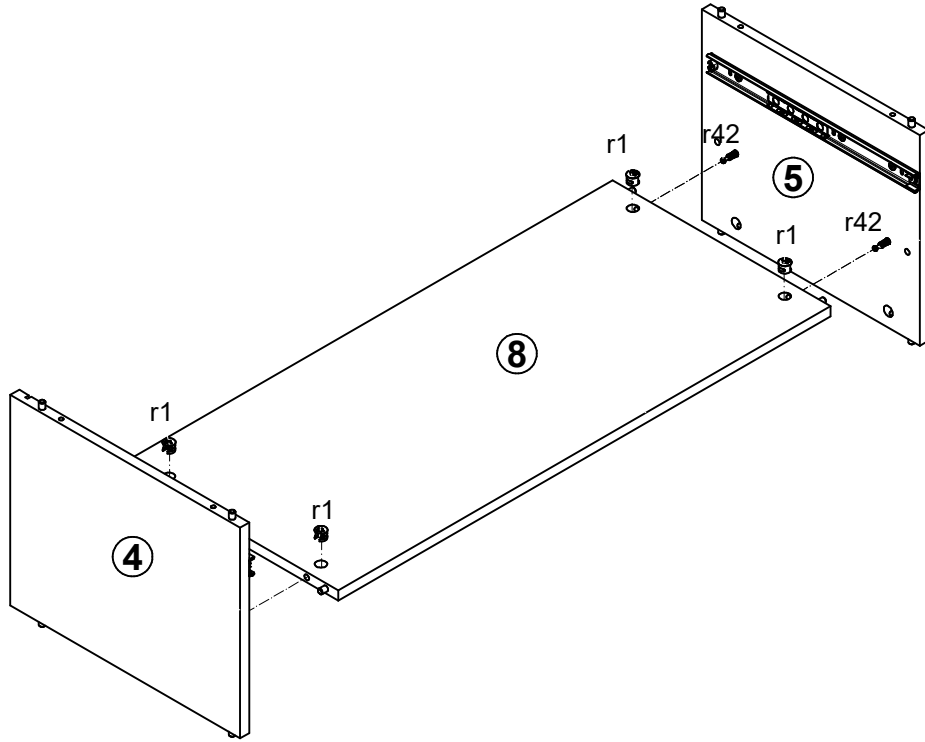


2x a44	2x b19	2x c472	12x e1 Ø7x50 mm	20x f1 Ø8x30 mm	4x f25 Ø6.5x40 mm	2x f9 Ø6x30 mm	5x l1	8x l2
2x p25 Ø3.5x16 mm	4x p51 Ø3.5x15 mm	2x p78 Ø3.5x30 mm	12x p140 Ø3.5x12 mm	10x r1 Ø15x12 mm #16	4x r15 Ø12x10.5 mm #12	14x r42 20x11	1x t19 333 mm	2x w152\1 350x580 mm
2x w152\2 350x580 mm	3x s1	6x s2 Ø16	1x z1 4 mm					
							1x n26\1	1x p38 Ø3.5x16 mm

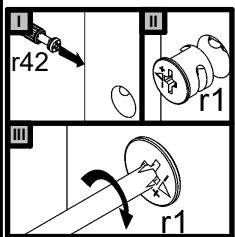
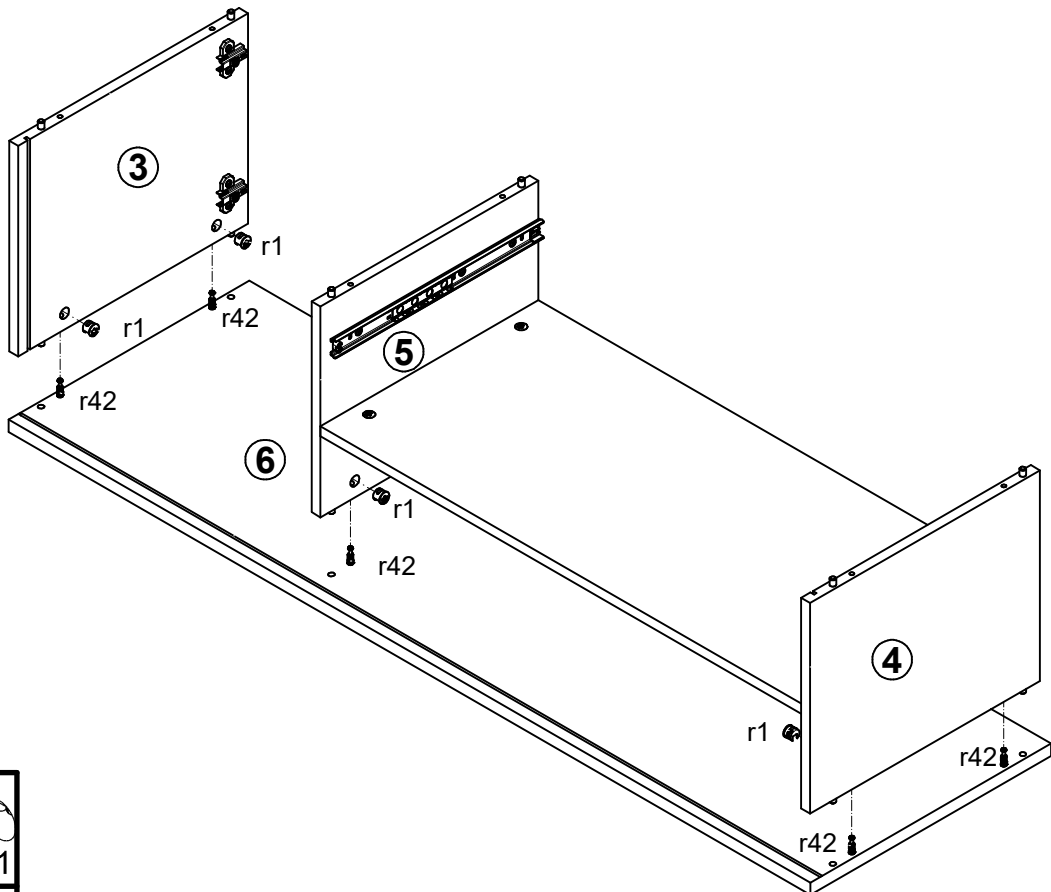
# 1



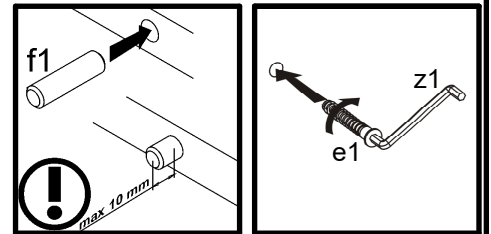
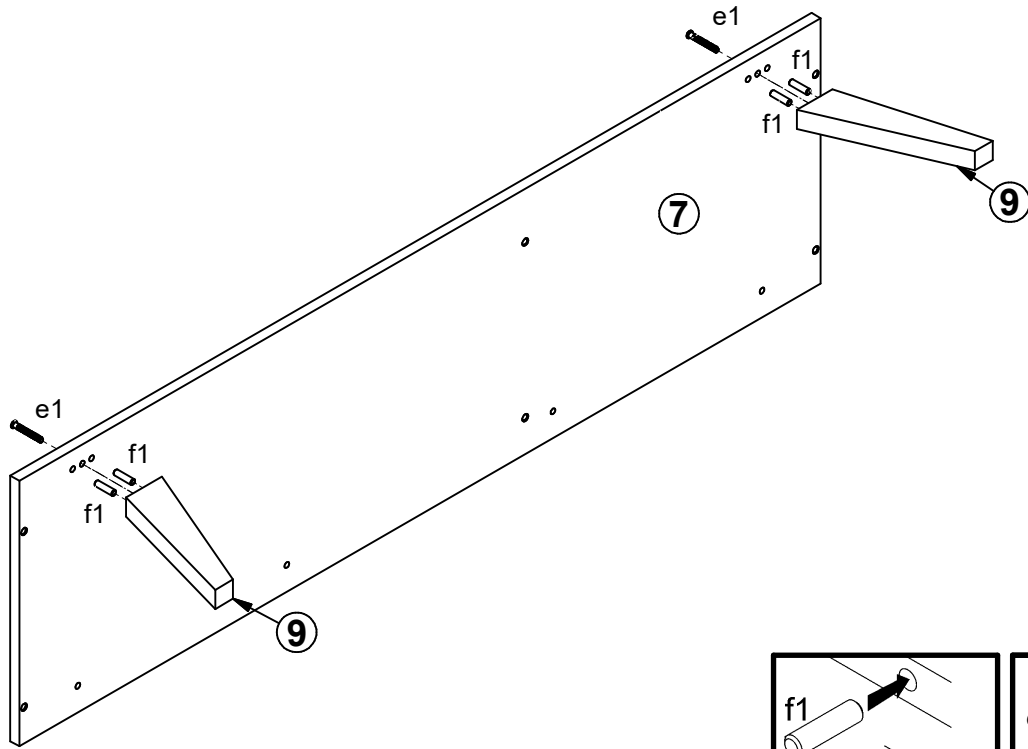
# 2



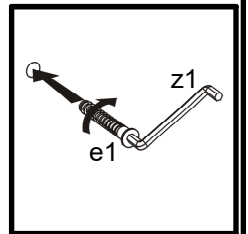
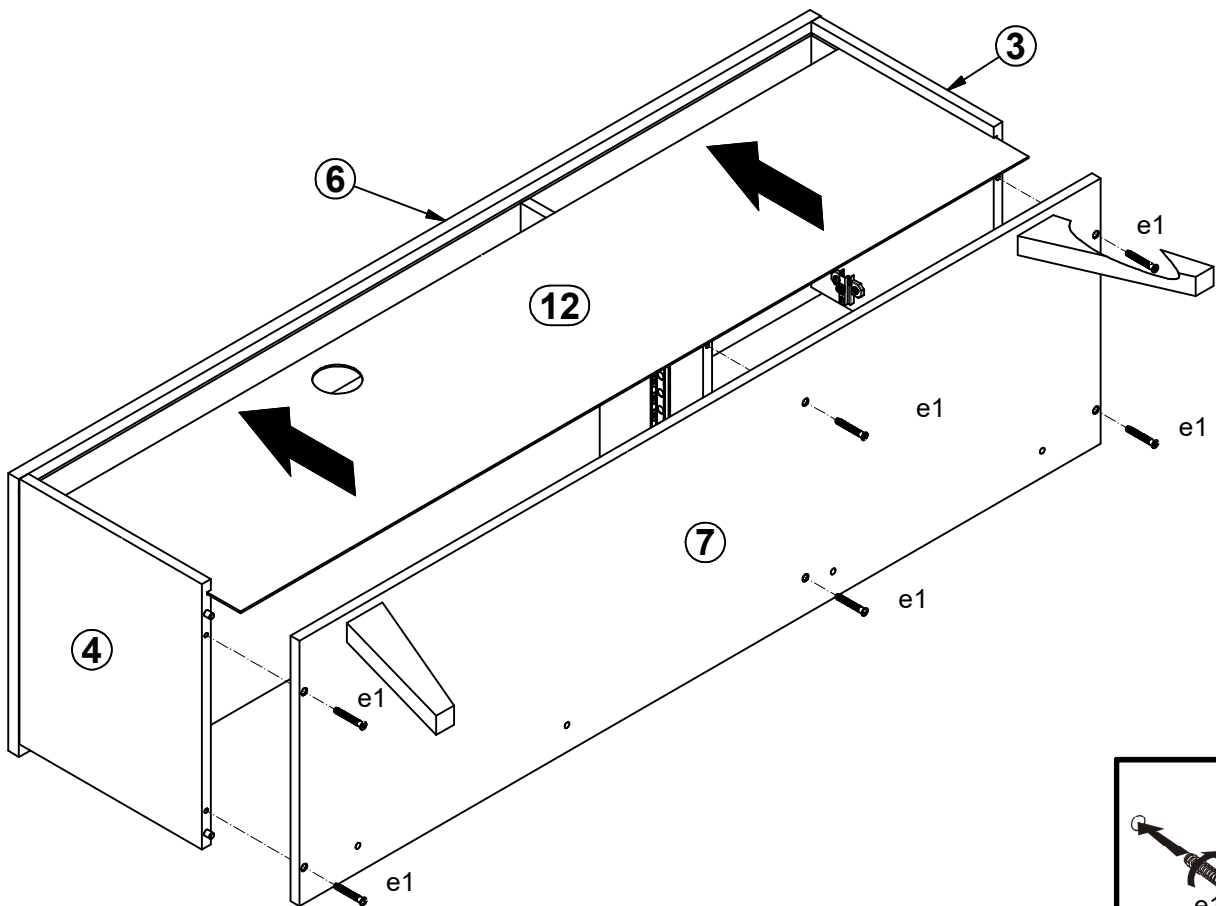
# 3



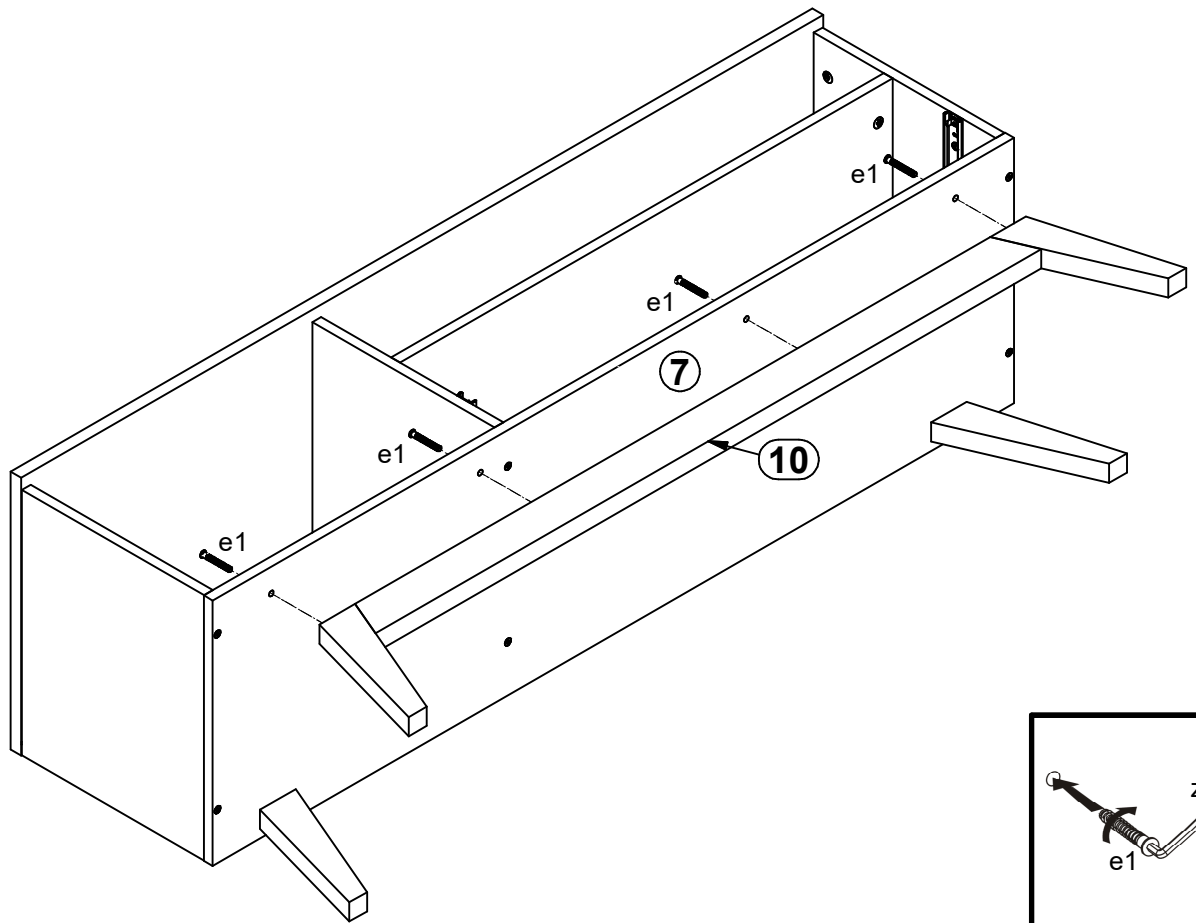
# 4



# 5



# 6



# 7

