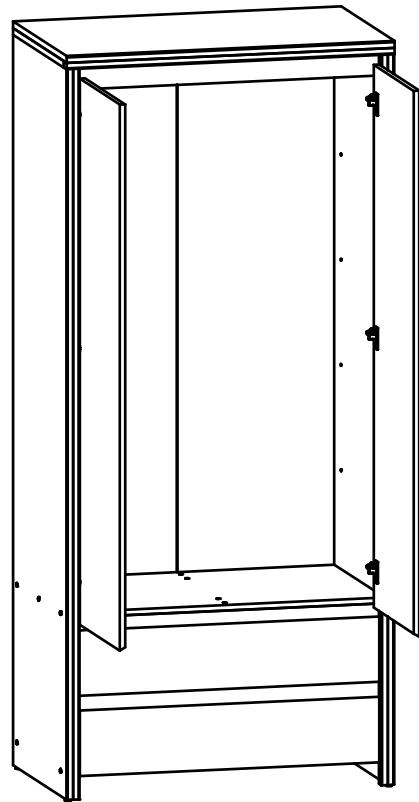
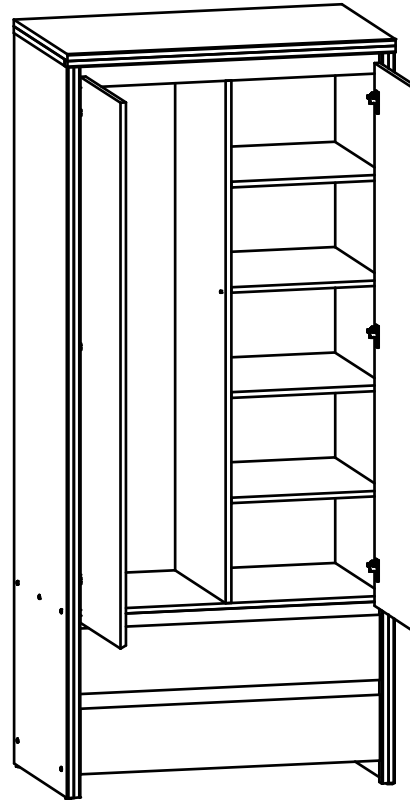


A



S128-SZF2D2S

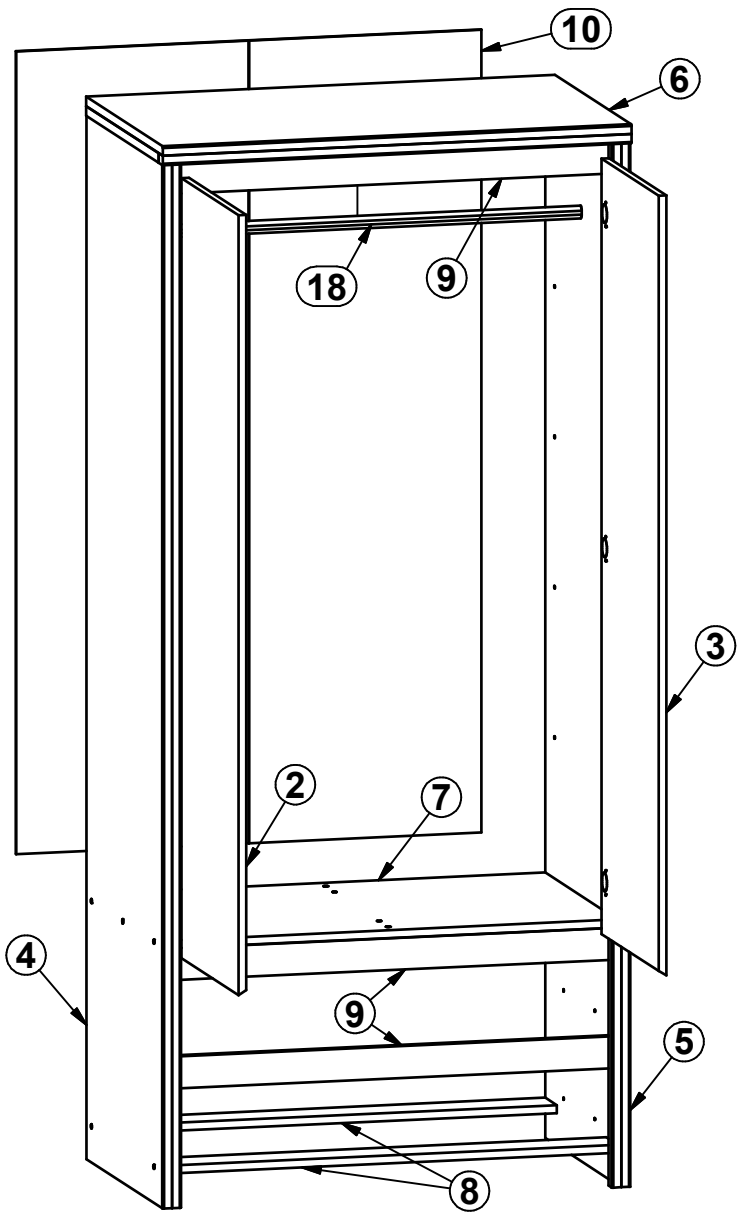
B



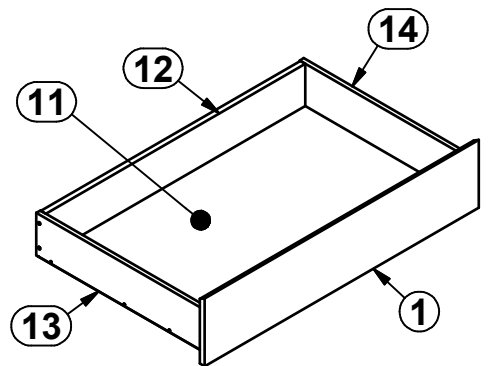
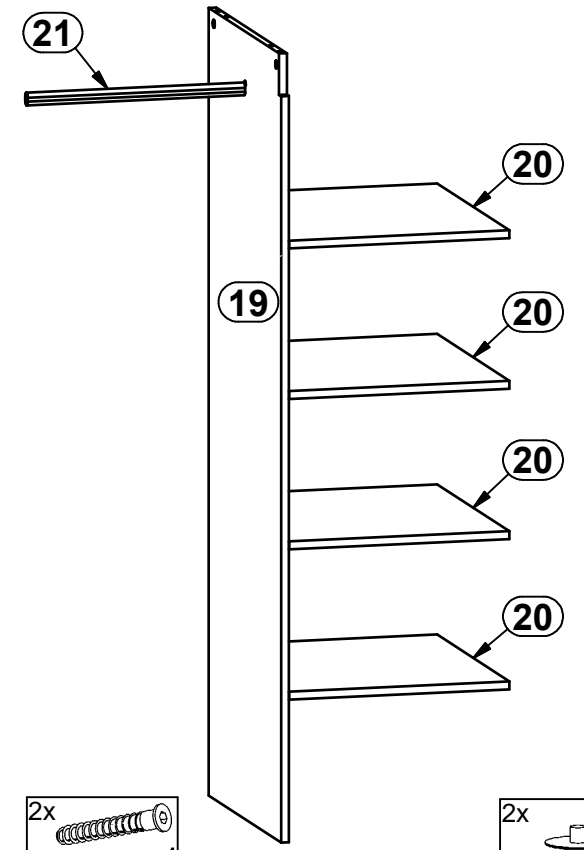
S128-SZF2D2S + S128-WKSZF/86

A S128-SZF2D2S S128-WKSZF/86

A	B	C1	C2	C3	D
1	S508-0022	822	176	15	3/3
2	S508-0024	1468	410	15	3/3
3	S508-0025	1468	410	15	3/3
4	S508-1038	1964	546	36	2/3
5	S508-1039	1964	546	36	2/3
6	S508-2013	900	549	36	1/3
7	S508-3020	863	520	15	1/3
8	S508-4017	863	82	15	1/3
9	S508-4018	863	60	15	1/3
10	S508-9308	1511,	893	2,5	2/3
11	WSP-9298	798,	505	2,5	2/3
12	ZS7-5038	778	110	15	1/3
13	ZS7-517	500	110	12	1/3
14	ZS7-518	500	110	12	1/3
18	dr-857	857	22	15	1/3



A	B	C1	C2	C3	D
19	S508-1040	1482,5	519	15	1/1
20	S508-3021	423	518	15	1/1
21	dr-418	418	22	15	1/1

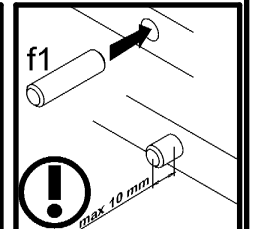
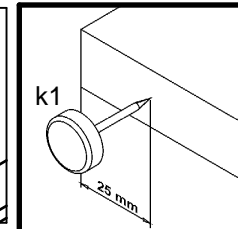
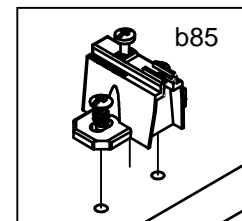
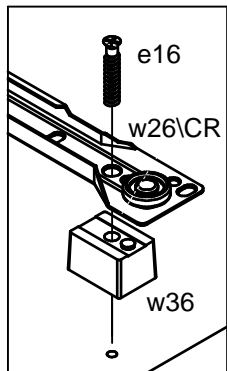
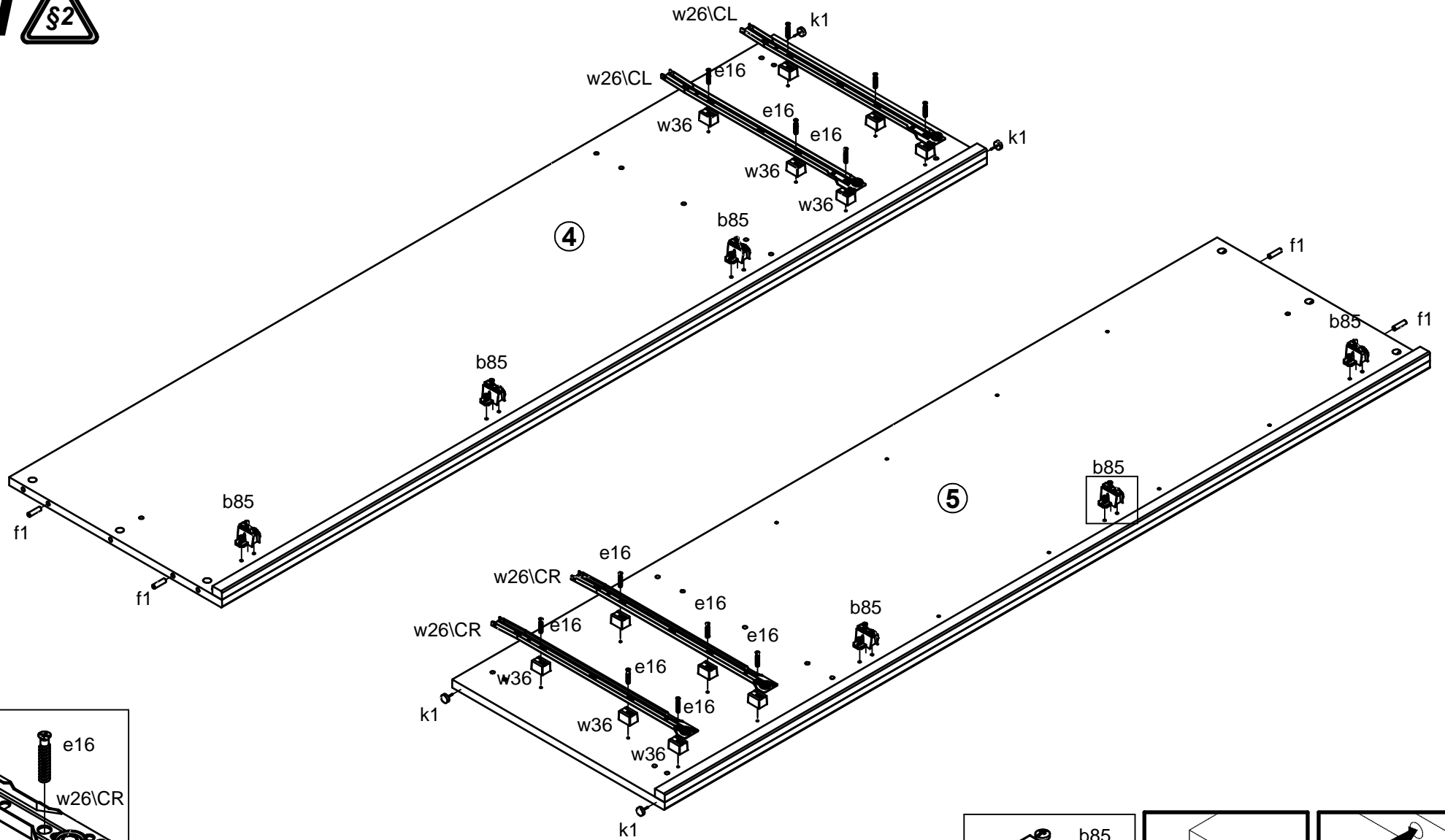


12x H=18 mm w36	4x Ø6x30 mm f9
6x K18 Ø35 a172	6x b85
10x φ7x50 mm e1	2x φ3,5x16 mm p25
12x φ5x9 mm e19	2x Ø3,5x10 mm p35
12x φ6x30 mm e16	24x φ8x30 mm f1
8x φ6,5x40 mm f25	2x 500 mm t34
4x k1	2x n1
2x 500 mm w26\CL	2x φ3,5x13 mm p1
2x 500 mm w26\CR	12x φ3,5x15 mm p51
2x 500 mm w26\DL	6x φ1,5x12mm #16 r1
2x 500 mm w26\DR	8x φ12x10,5mm #12 r15
10x s1	1x φ10x50 mm f35
6x ø16 s2	1x 88x21x151,5 n14\2
1x z1	1x Ø5x60 mm p17
	2x Ø3,5x16 mm p38

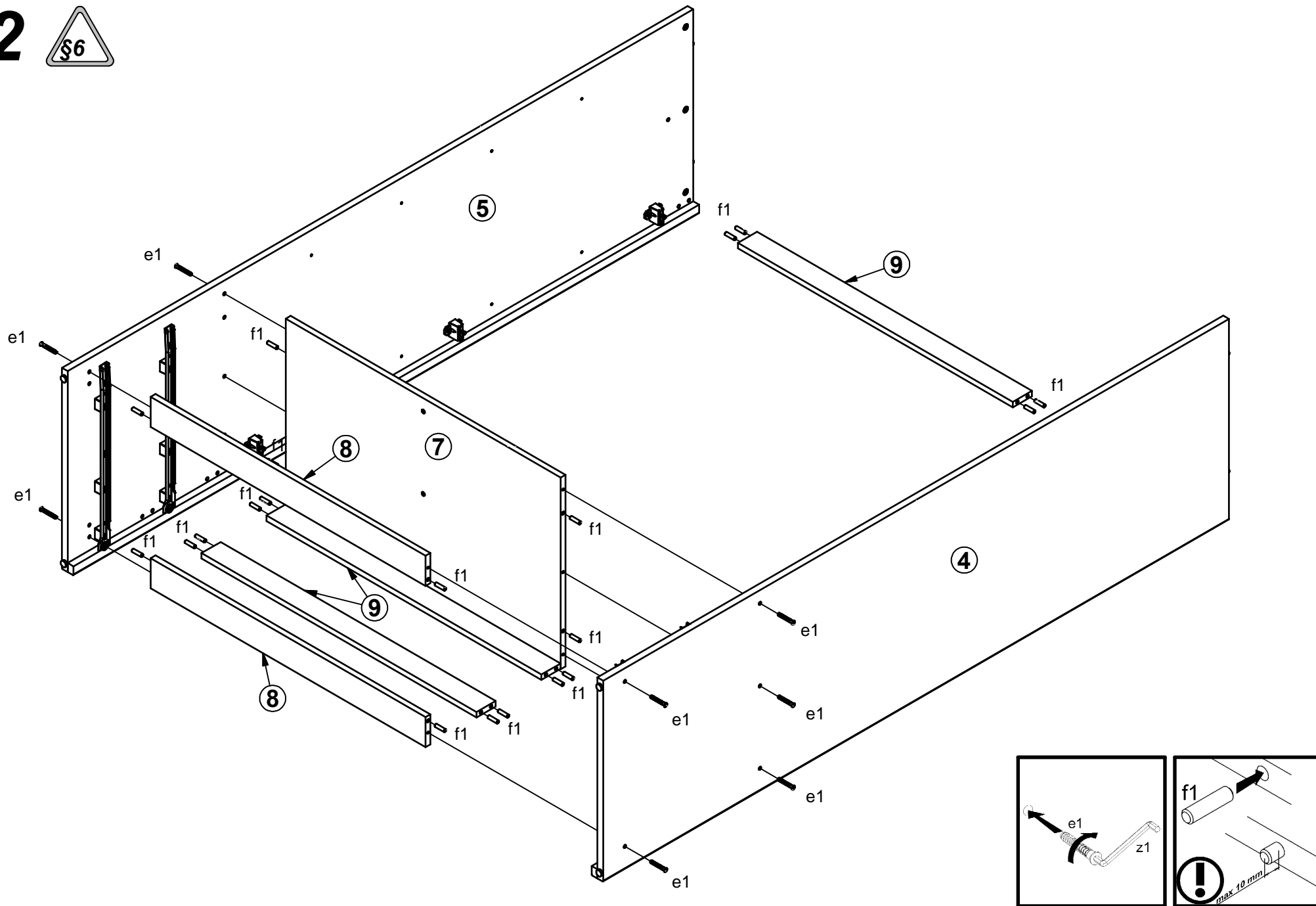
2x φ7x50 mm e1	2x ø16 s2
16x φ5x17 mm d1	4x φ8x30 mm f1
2x r42	2x φ1,5x12mm #16 r1
1x f35	1x n14\2
1x p17	2x p38

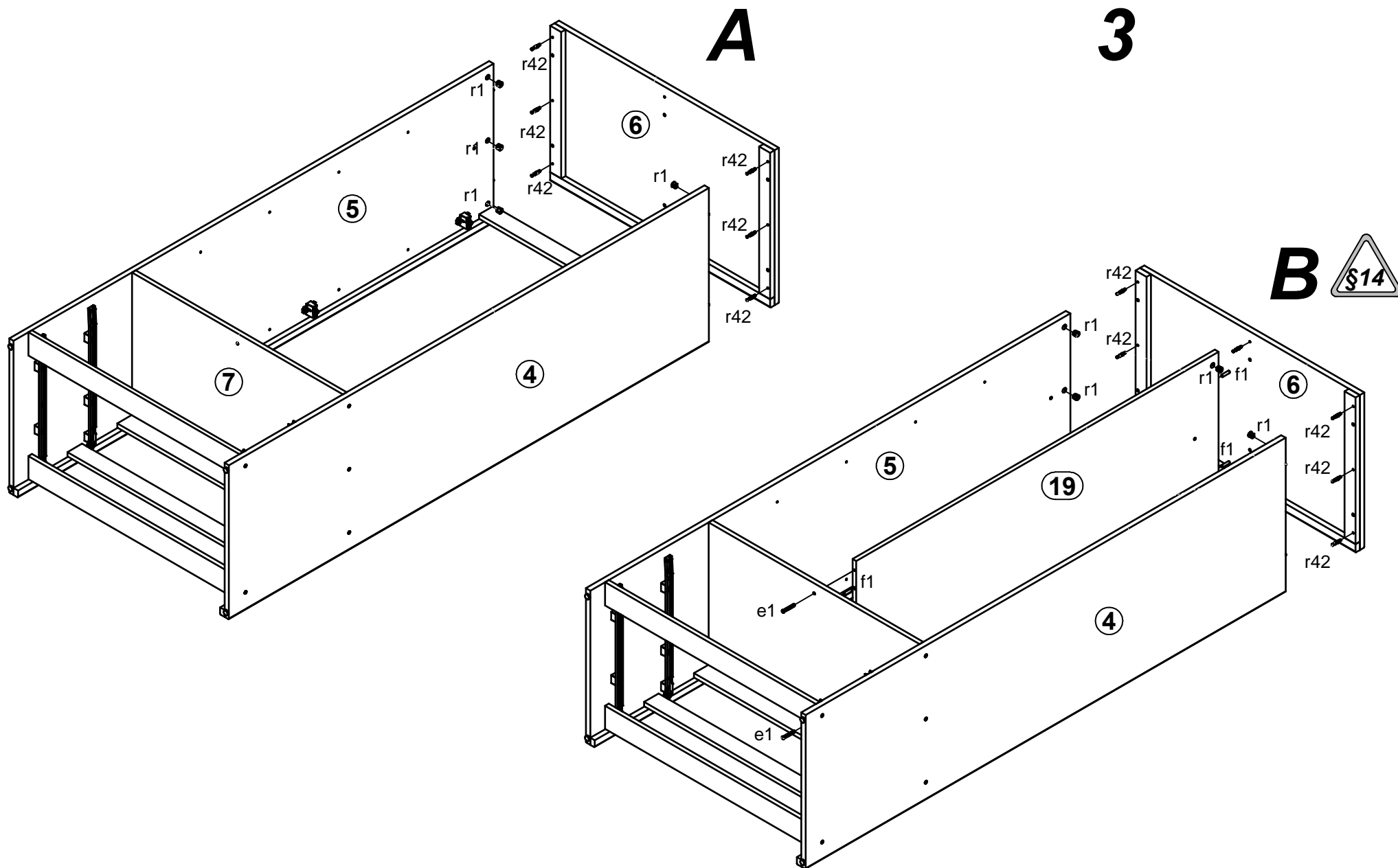


1 §2

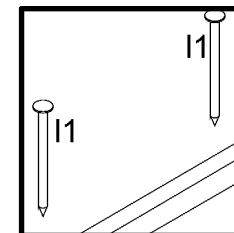
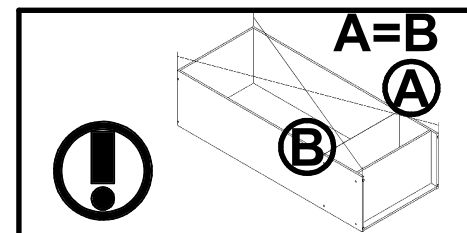
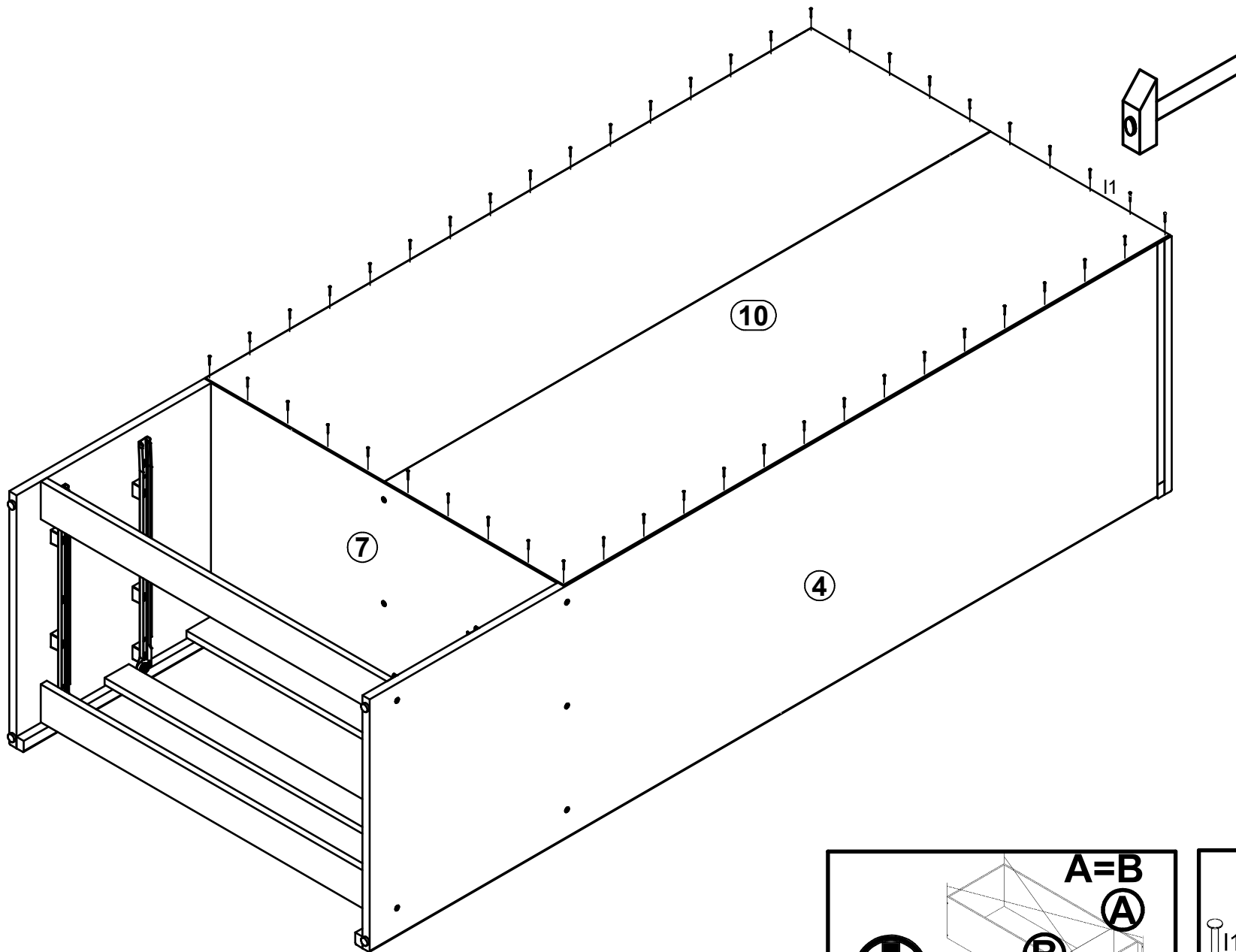


2 

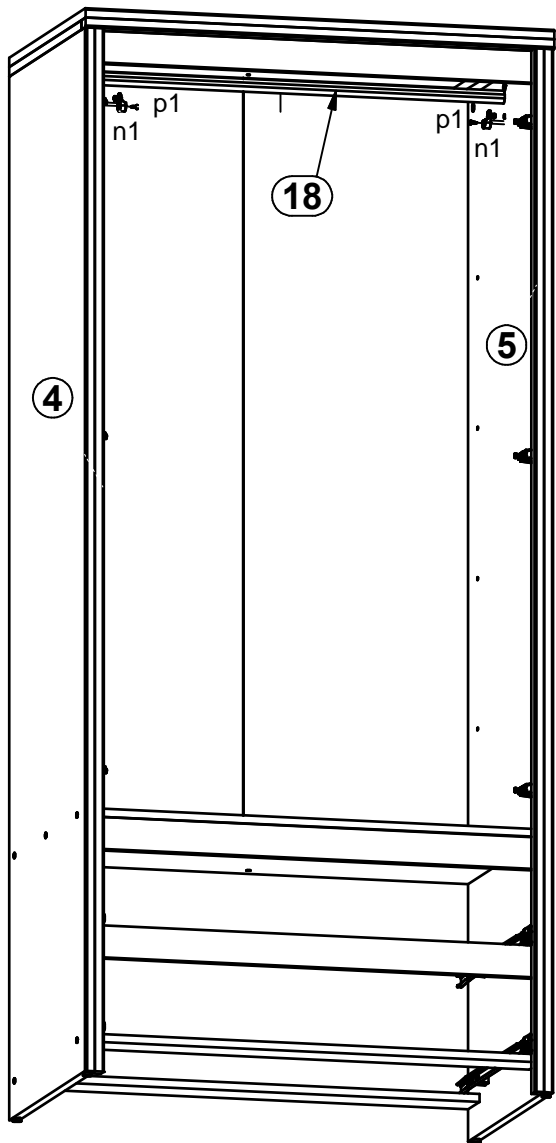




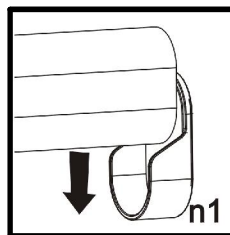
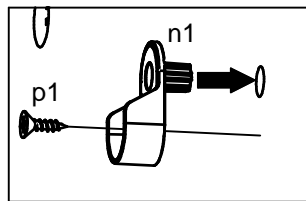
4



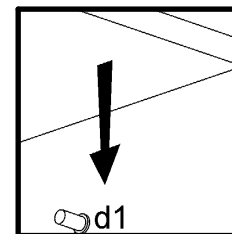
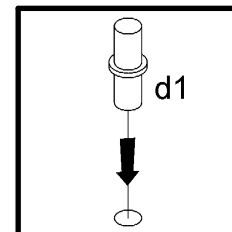
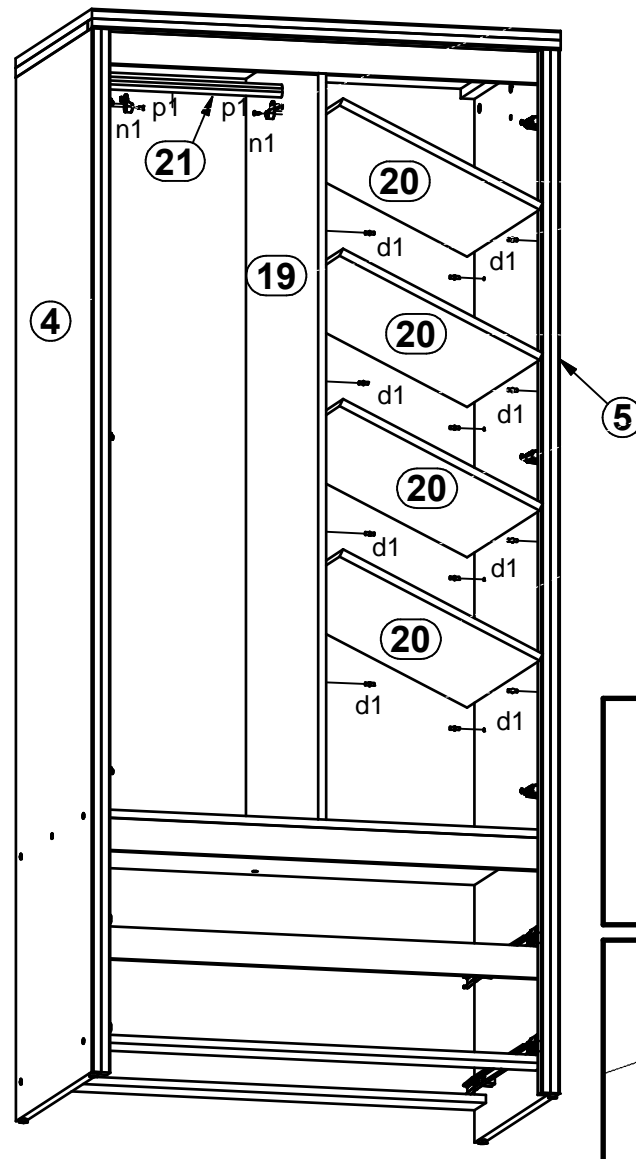
A



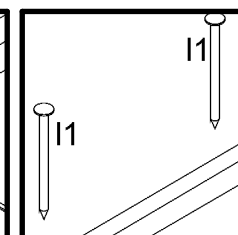
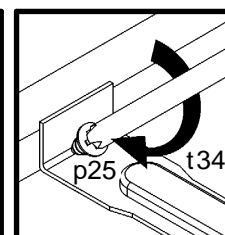
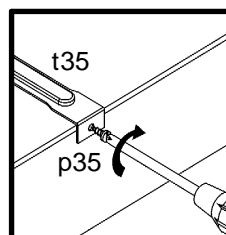
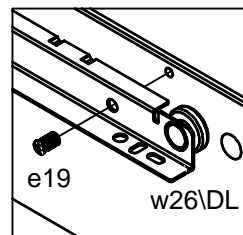
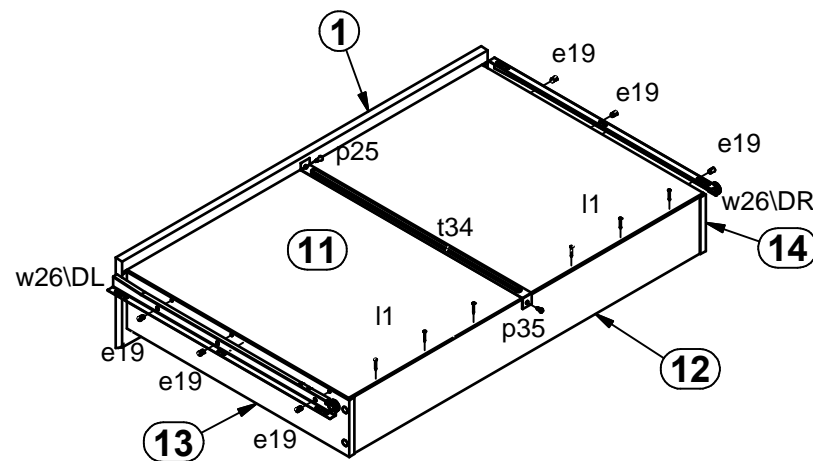
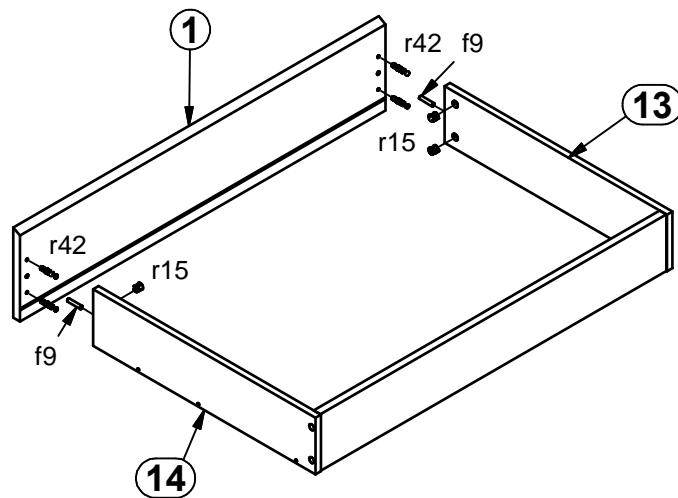
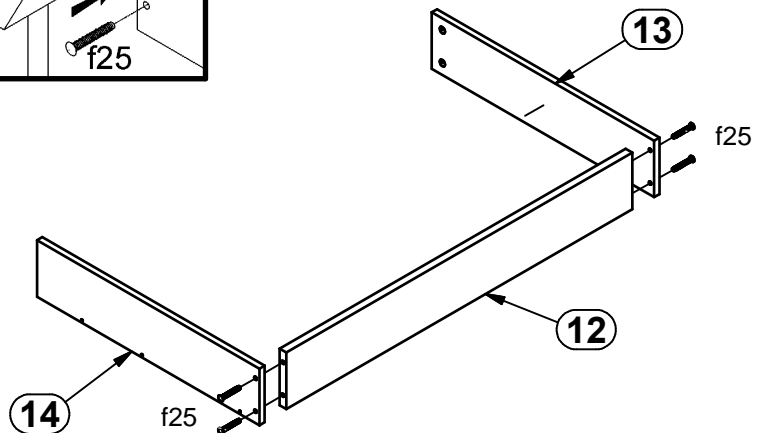
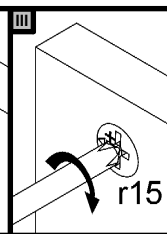
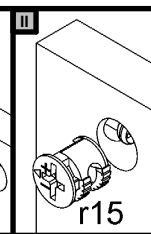
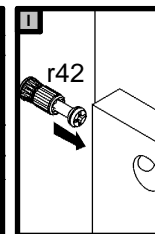
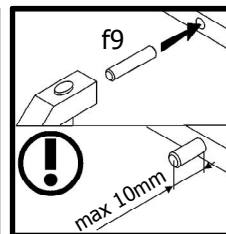
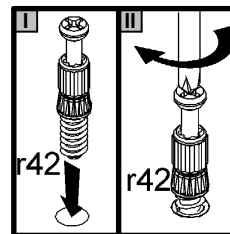
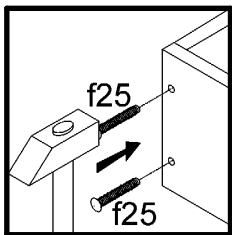
5



B



6



7

