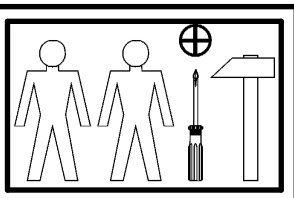
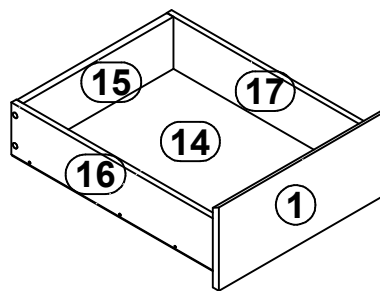
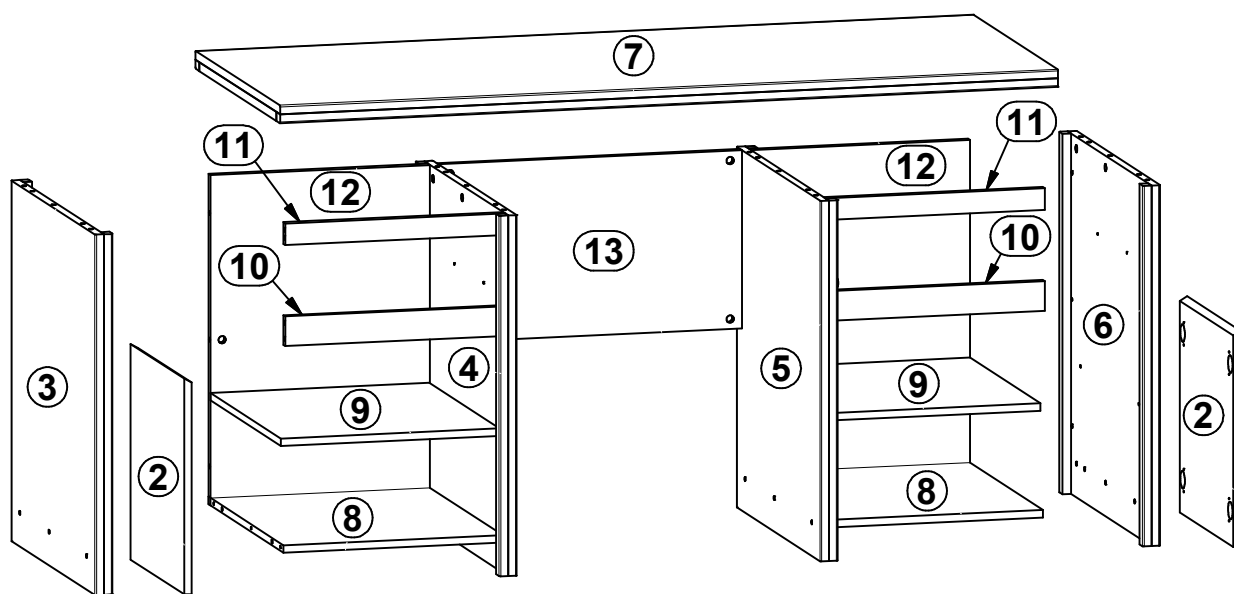
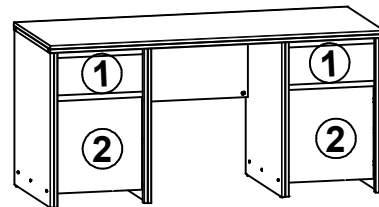


# KASPIAN

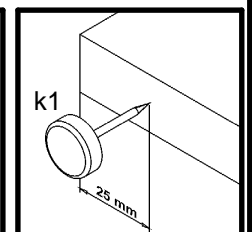
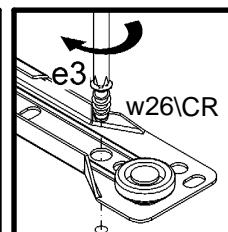
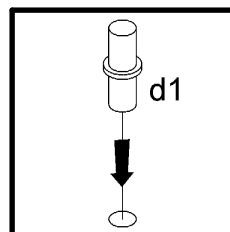
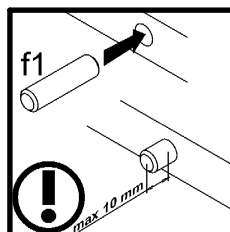
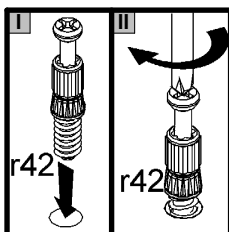
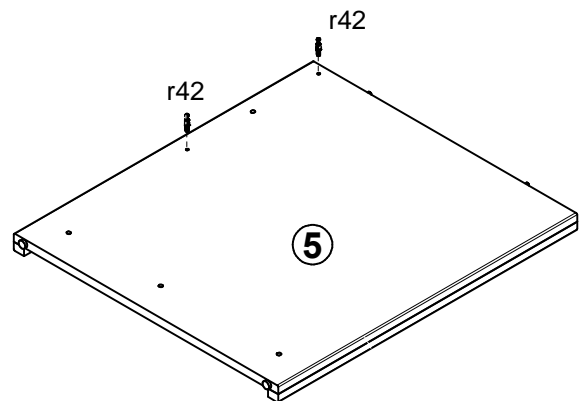
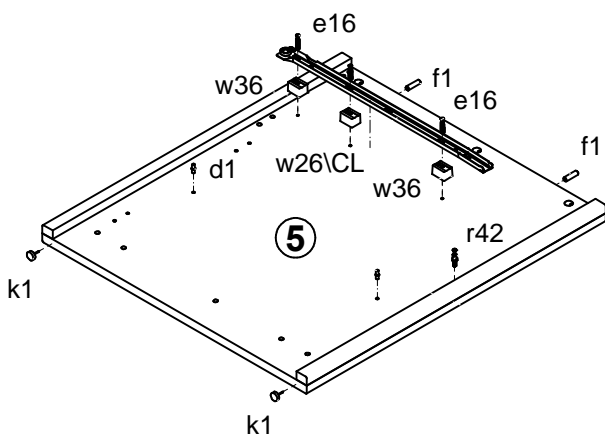
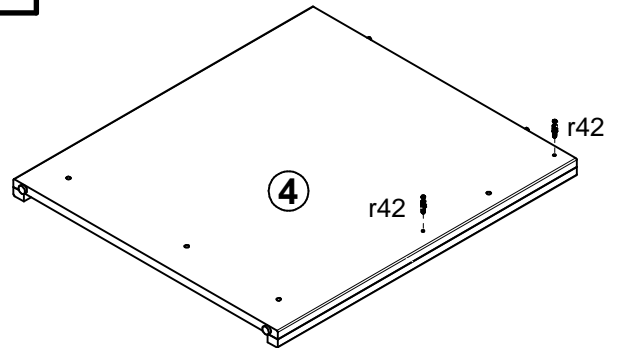
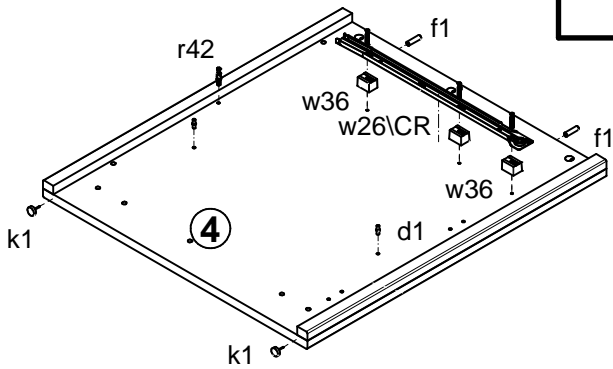
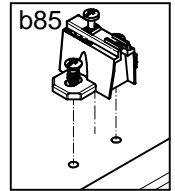
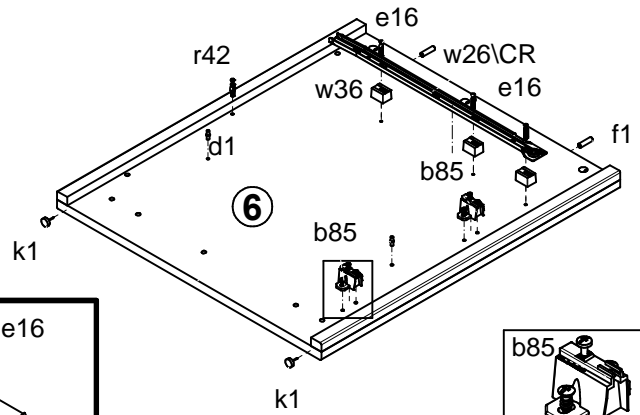
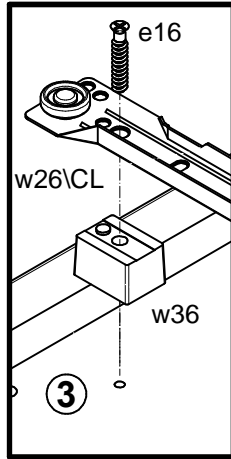
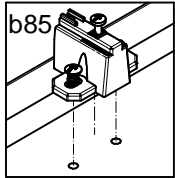
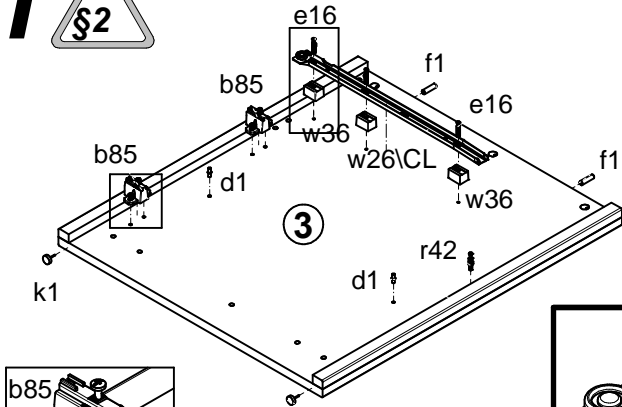
S128-BIU2D2S/160

A	B	C1	C2	C3	D	A	B	C1	C2	C3	D
1	S508-0014	410	176	15	4/4	11	S508-4014	451	44	15	2/4
2	S508-0015	410	436	15	4/4	12	S508-4301	667	451,	15	1/4
3	S508-1046	728,	644	36	1/4	13	S508-4311	624	360	15	2/4
4	S508-1047	728,	644	36	1/4	14	WSP-9300	386	505	2,5	2/4
5	S508-1048	728,	644	36	1/4	15	ZS7-5036	366	110	15	3/4
6	S508-1049	728,	644	36	1/4	16	ZS7-517	500	110	12	3/4
7	S508-2015	1600	650	36	3/4	17	ZS7-518	500	110	12	3/4
8	S508-3024	451	577	15	2/4						
9	S508-3025	450	540	15	2/4						
10	S508-4013	451	60	15	2/4						

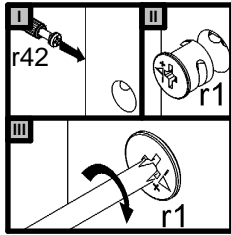
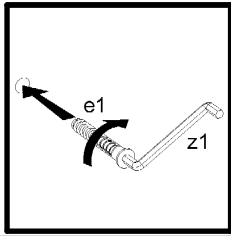
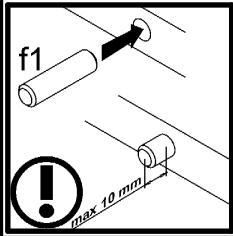
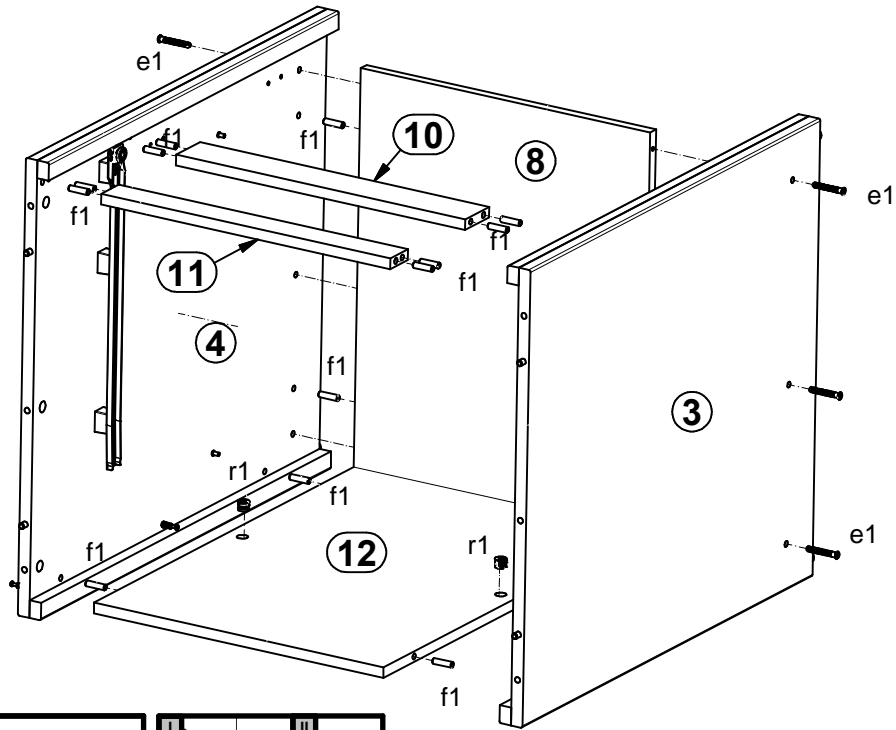


4x K18 Ø35  <b>a172</b>	4x Ø24,5  <b>b85</b>	8x  φ5x17 mm <b>d1</b>	12x  φ7x50 mm <b>e1</b>	12x  φ6x30 mm <b>e16</b>	12x  φ5x9 mm <b>e19</b>	4x  Ø35x62x40x10 <b>S71</b>	4x  Ø6x30 mm <b>f9</b>	42x  φ8x30 mm <b>f1</b>
8x  φ6,5x40 mm <b>f25</b>	8x  <b>k1</b>	10x  <b>l1</b>	8x  φ3,5x15 mm <b>p51</b>	20x  φ1,5x12mm #16 <b>r1</b>	8x  φ12x10,5mm #12 <b>r15</b>	28x  <b>r42</b>	2x  500 mm <b>w26ICL</b>	2x  500 mm <b>w26ICR</b>
2x  500 mm <b>w26IDL</b>	2x  500 mm <b>w26IDR</b>	12x  h=18 mm <b>w36</b>	1x  <b>z1</b>	12x  <b>s1</b>	8x  Ø16 <b>s2</b>			

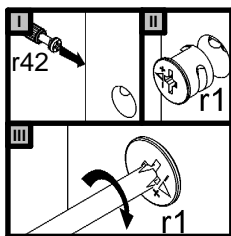
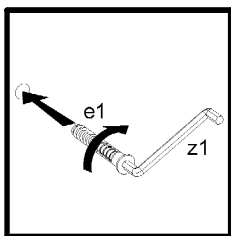
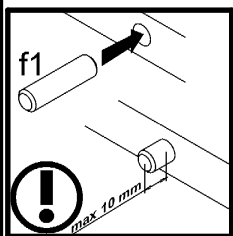
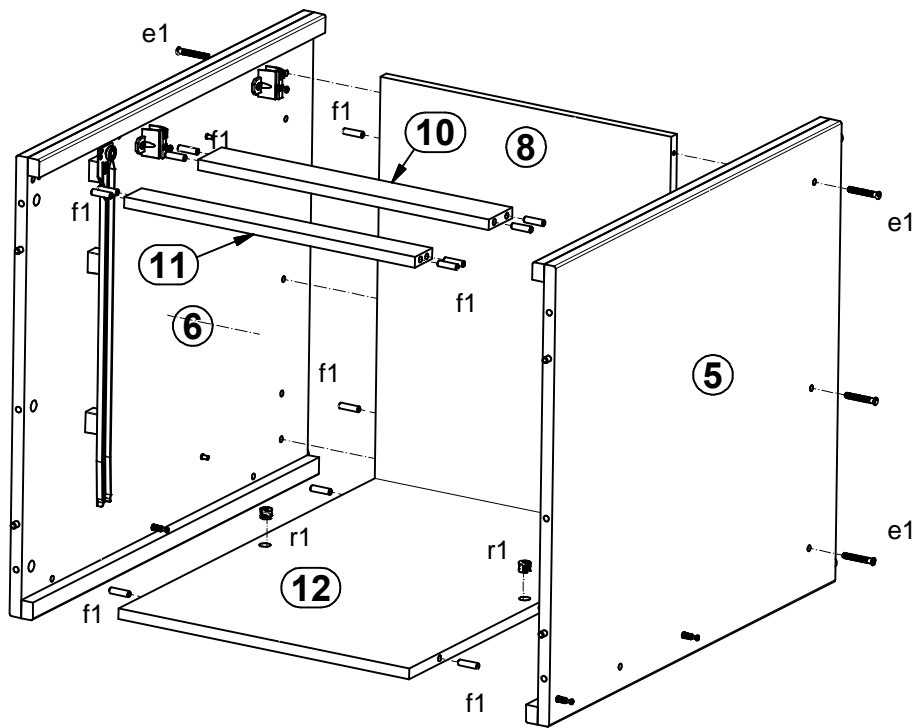
1 §2



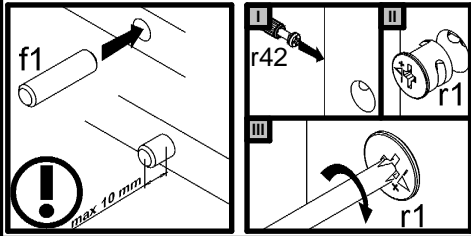
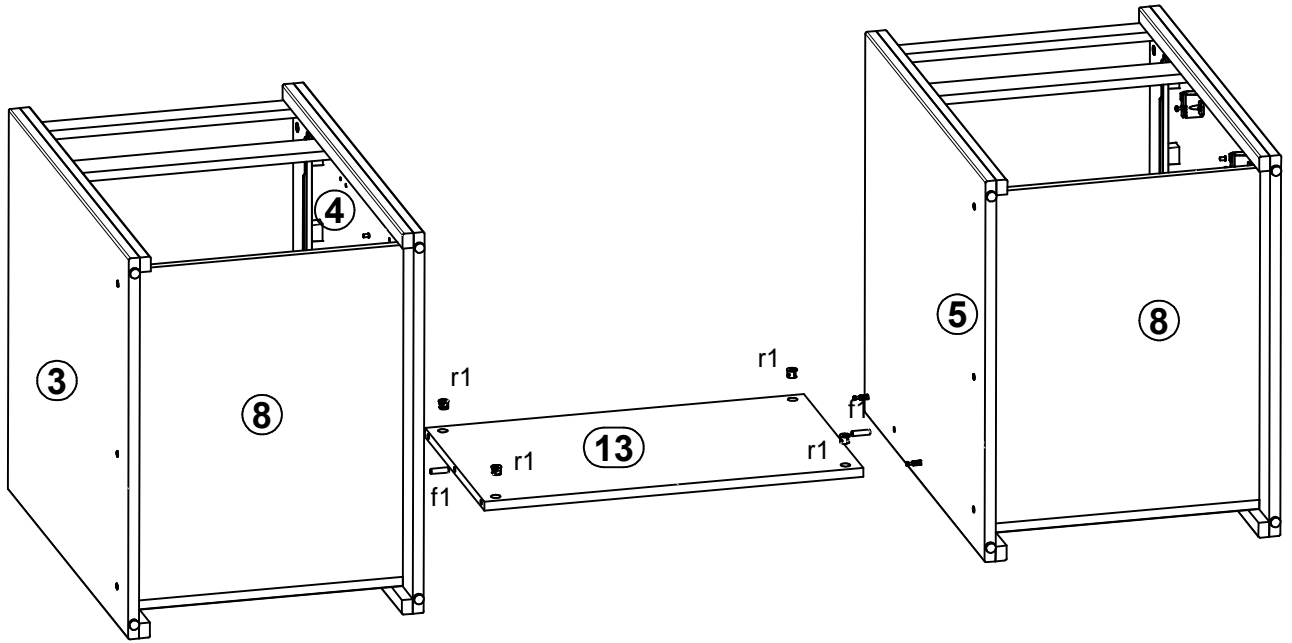
# 2



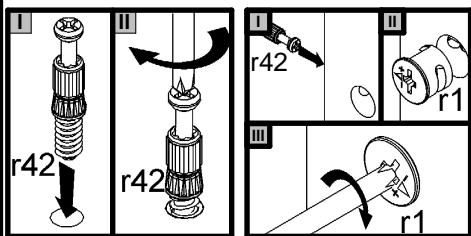
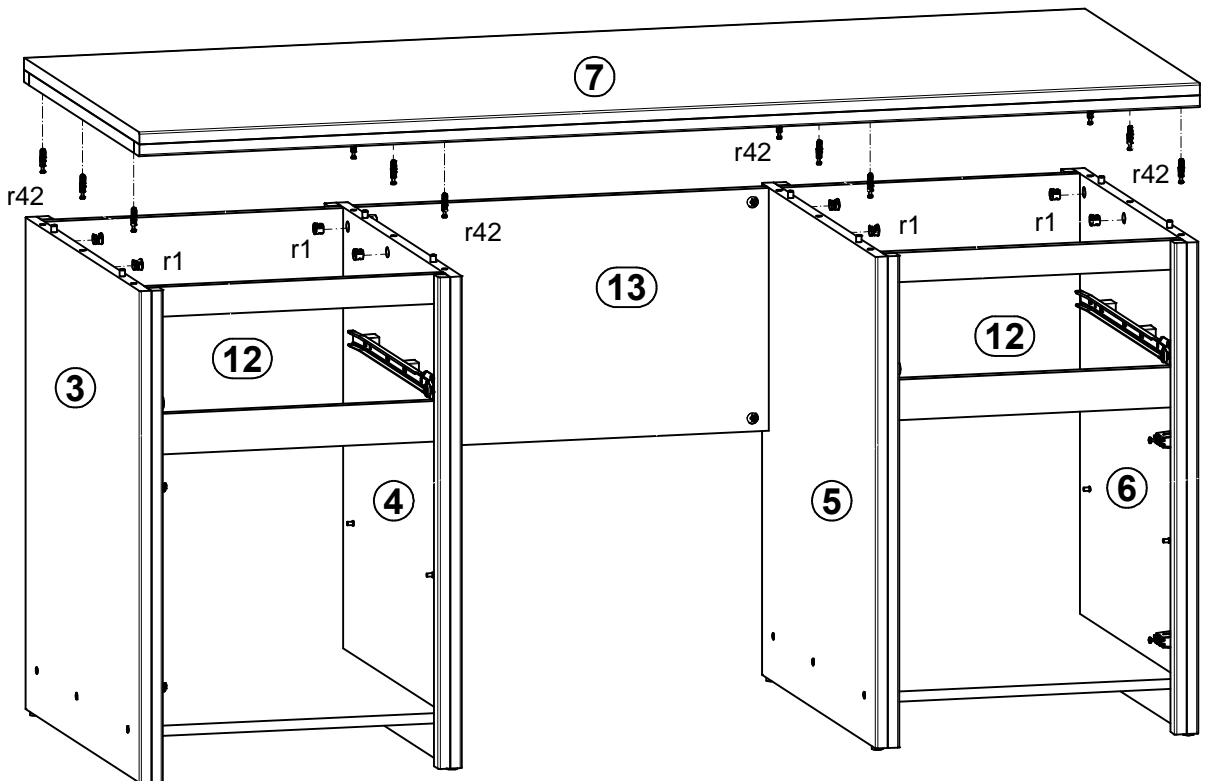
# 3



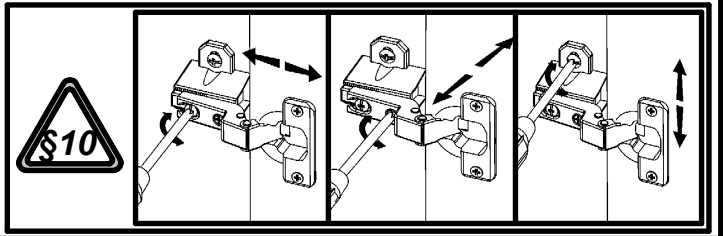
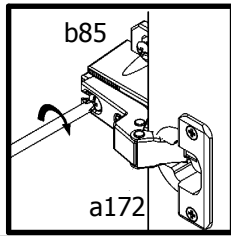
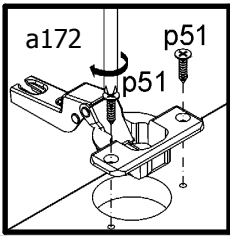
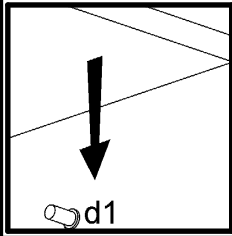
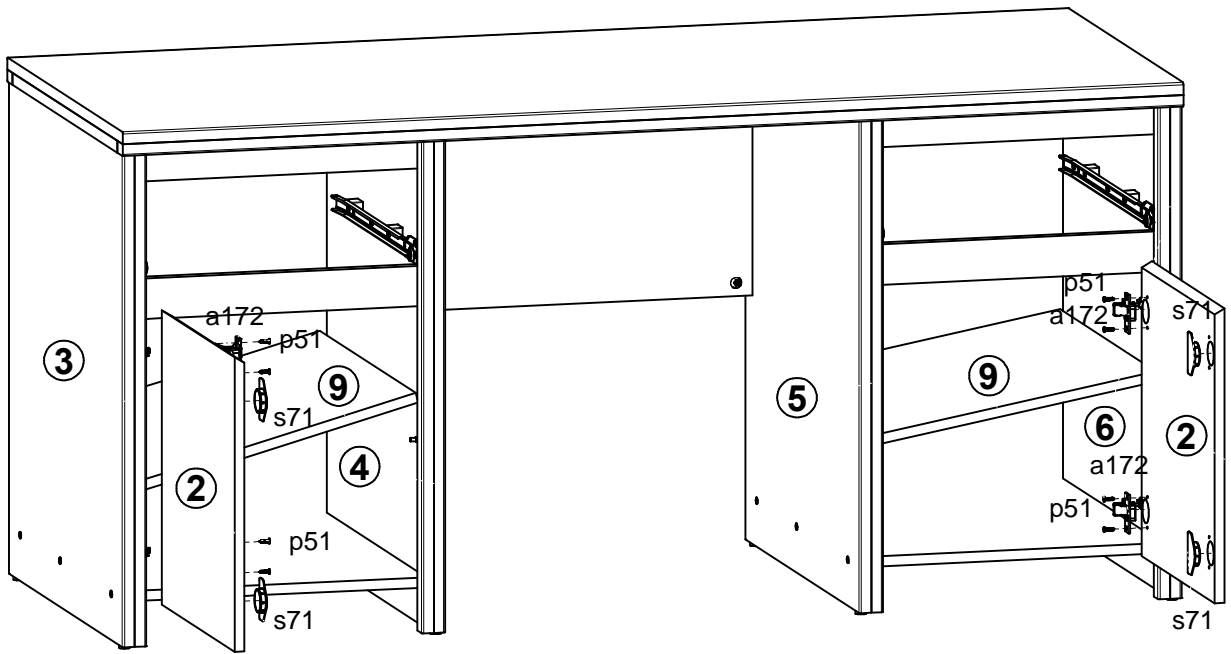
# 4



# 5



# 6



# 7

