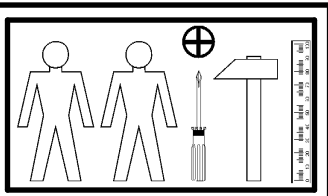
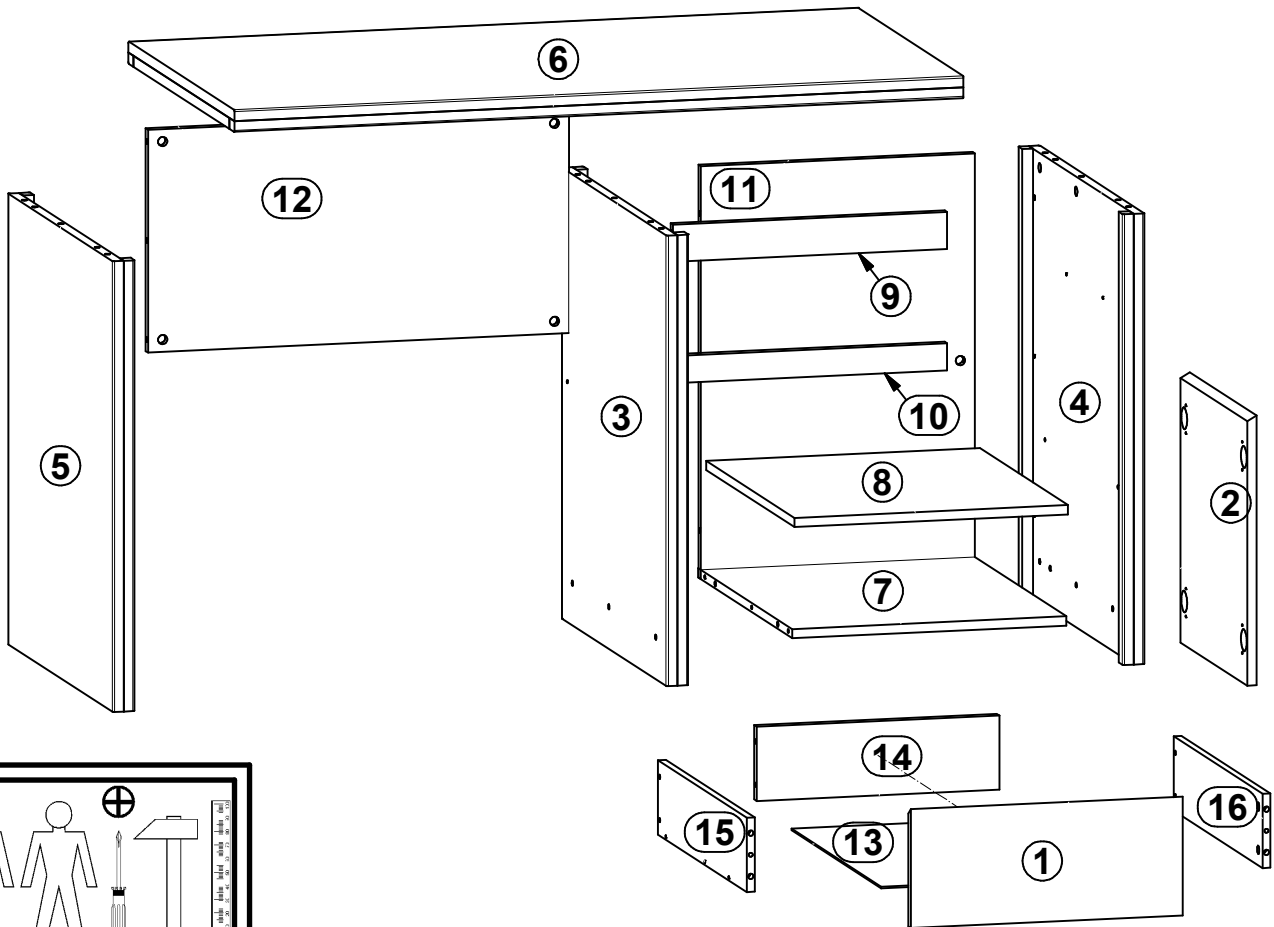
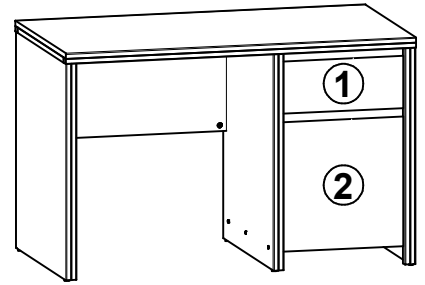


# KASPIAN

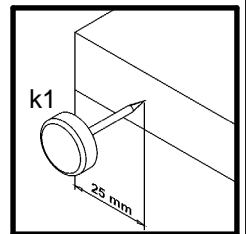
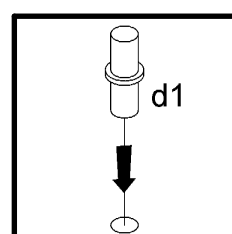
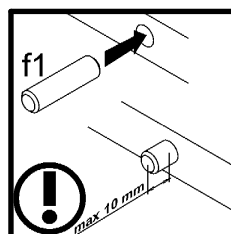
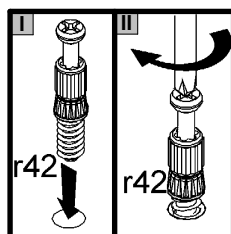
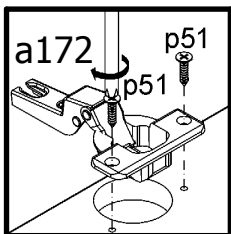
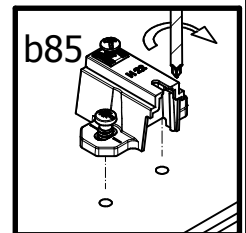
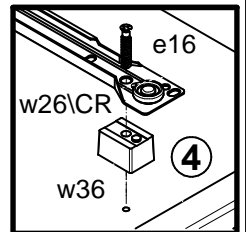
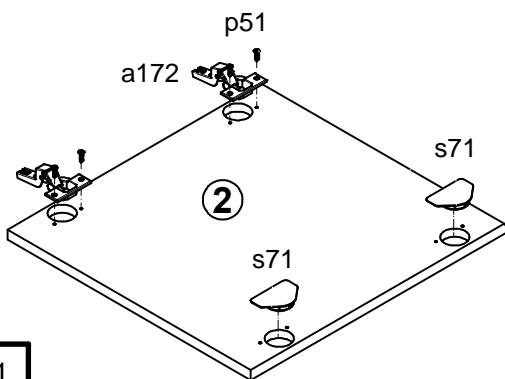
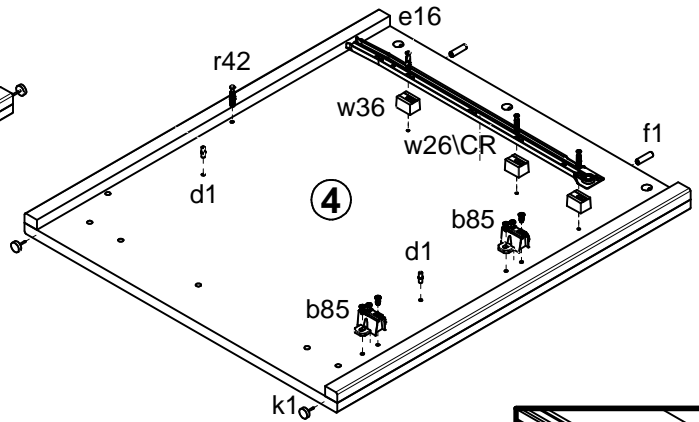
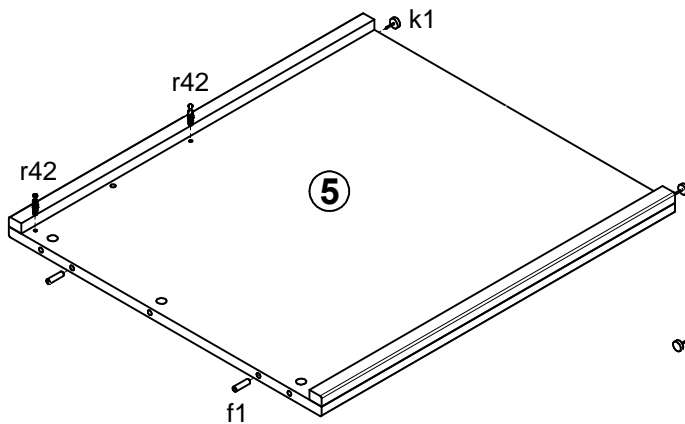
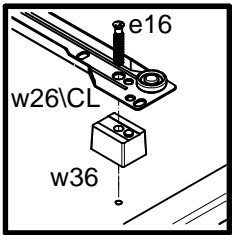
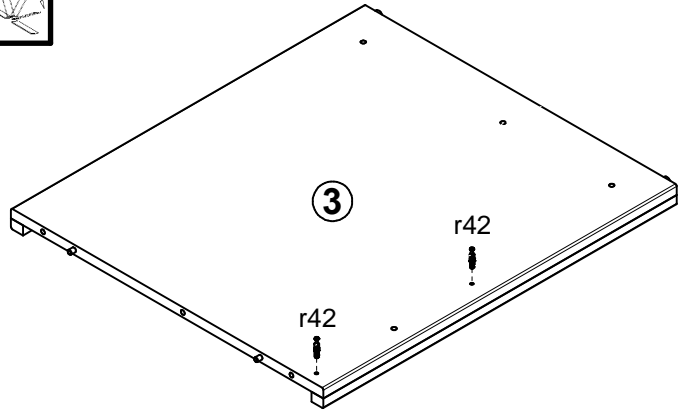
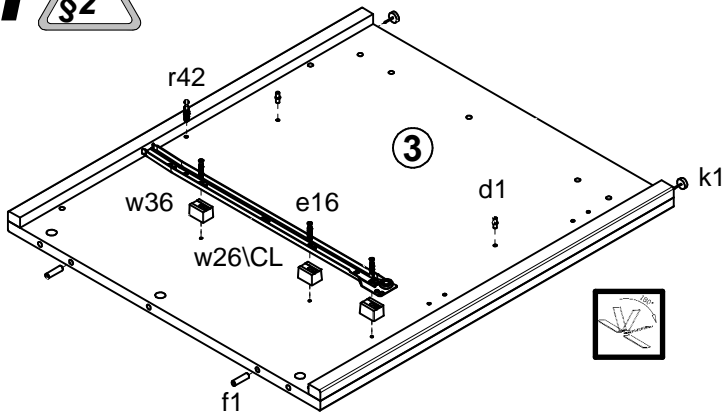
# S128-BIU1D1S/120

A	B	C1	C2	C3	D
1	S508-0014	410	176	15	3/3
2	S508-0015	410	436	15	3/3
3	S508-1048	728,	644	36	1/3
4	S508-1049	728,	644	36	1/3
5	S508-1050	728,	644	36	1/3
6	S508-2016	1200	650	36	2/3
7	S508-3024	451	577	15	1/3
8	S508-3025	450	540	15	2/3
9	S508-4013	451	60	15	2/3
10	S508-4014	451	44	15	2/3
11	S508-4301	667	451,	15	1/3
12	S508-4312	693	360	15	1/3
13	WSP-9300	386	505	2,5	2/3
14	ZS7-5036	366	110	15	2/3
15	ZS7-517	500	110	12	2/3
16	ZS7-518	500	110	12	2/3

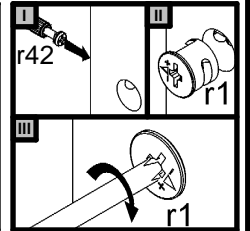
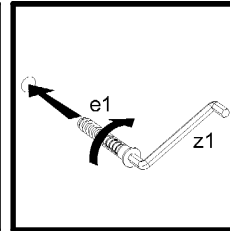
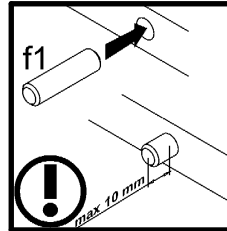
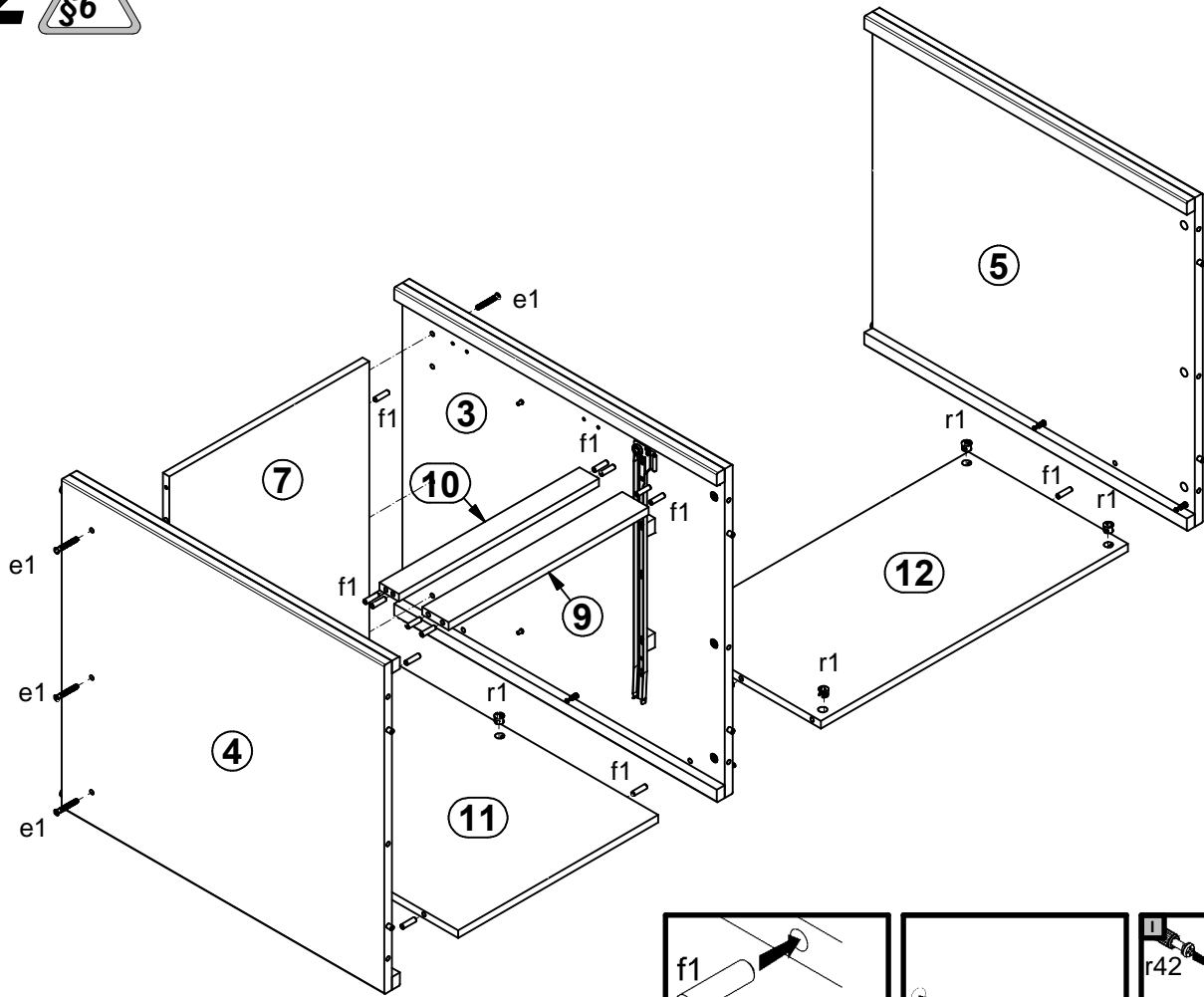


2x K18 Ø35 <b>a172</b>	2x <sup>024,5</sup> <b>b85</b>	4x φ5x17 mm <b>d1</b>	6x φ7x50 mm <b>e1</b>	6x φ6x30 mm <b>e16</b>	6x φ5x9 mm <b>e19</b>	5x <b>l1</b>	2x Ø6x30 mm <b>f9</b>	24x φ8x30 mm <b>f1</b>
4x φ6.5x40 mm <b>f25</b>	6x <b>k1</b>	4x φ3.5x15 mm <b>p51</b>	15x φ1.5x12mm #16 <b>r1</b>	4x φ12x10.5mm #12 <b>r15</b>	19x <b>r42</b>	1x 500 mm <b>w26\CL</b>	1x 500 mm <b>w26\CR</b>	1x 500 mm <b>w26\DL</b>
1x 500 mm <b>w26\DR</b>	6x h=18 mm <b>w36</b>	1x <b>z1</b>	6x <b>s1</b>	7x ø16 <b>s2</b>	2x ø35x62x40x10 <b>S71</b>			

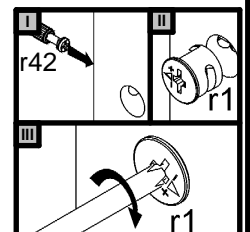
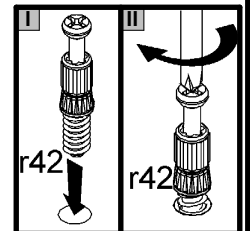
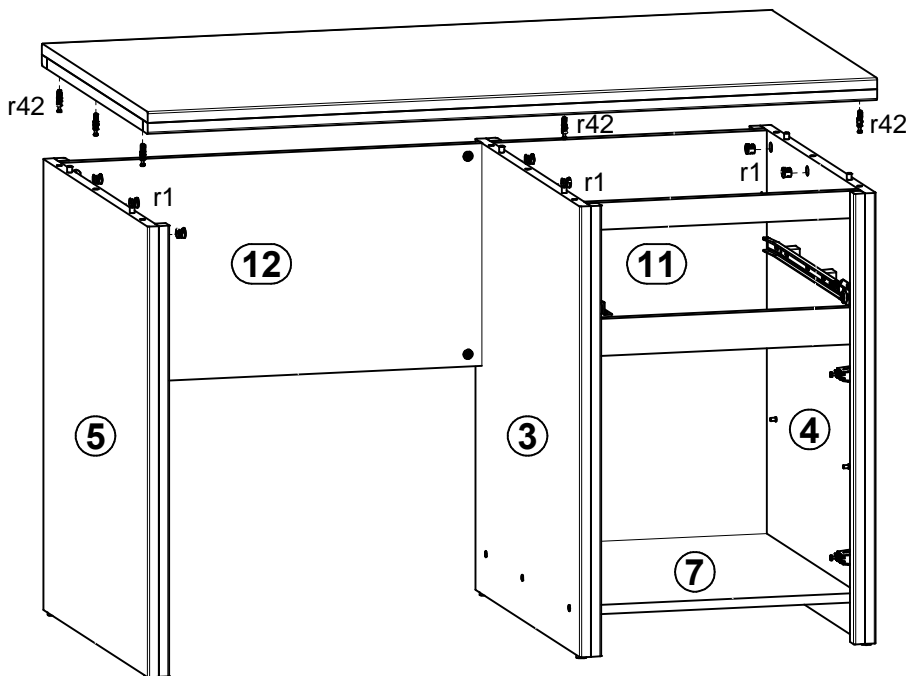
1 



# 2

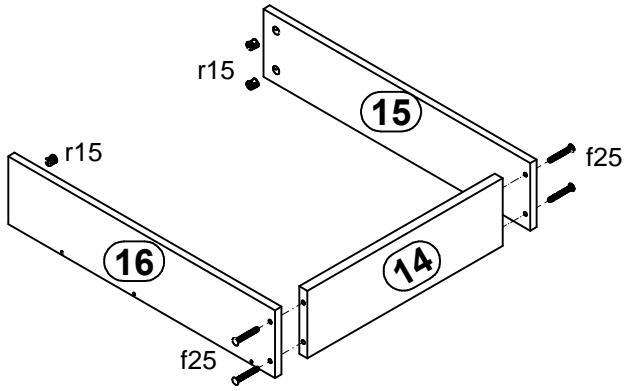


# 3

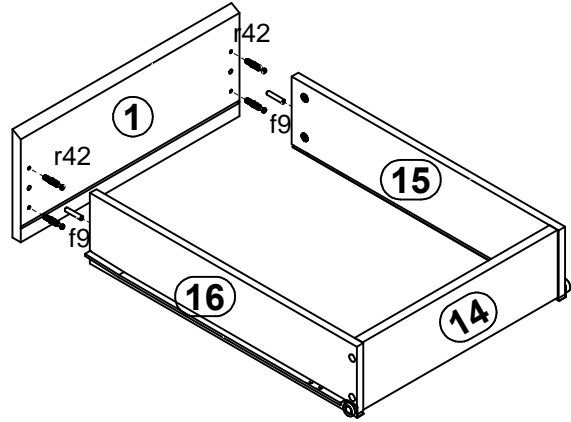


# 3

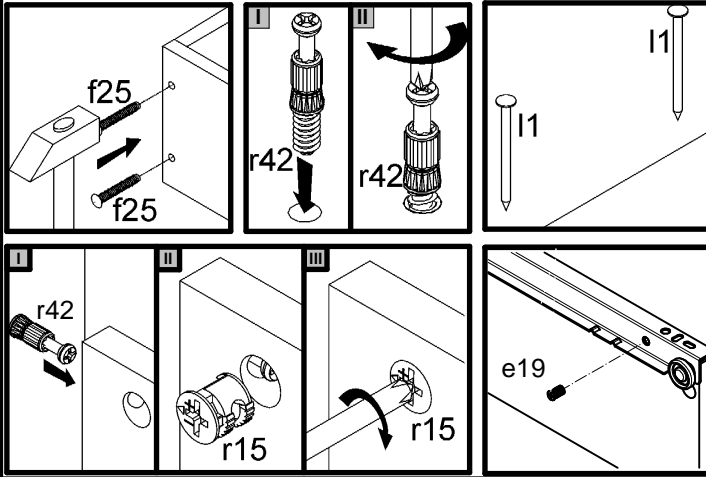
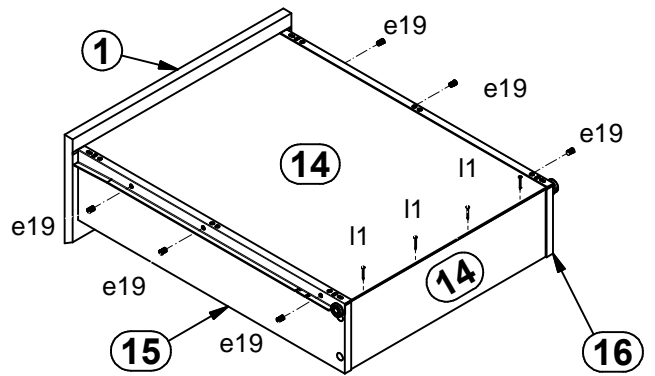
## I



## II



## III



# 4

