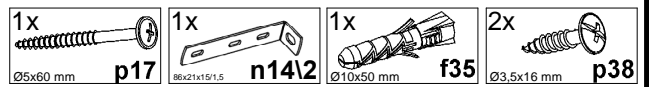
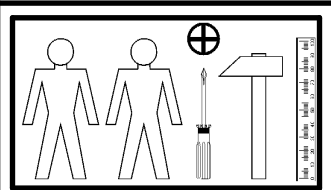
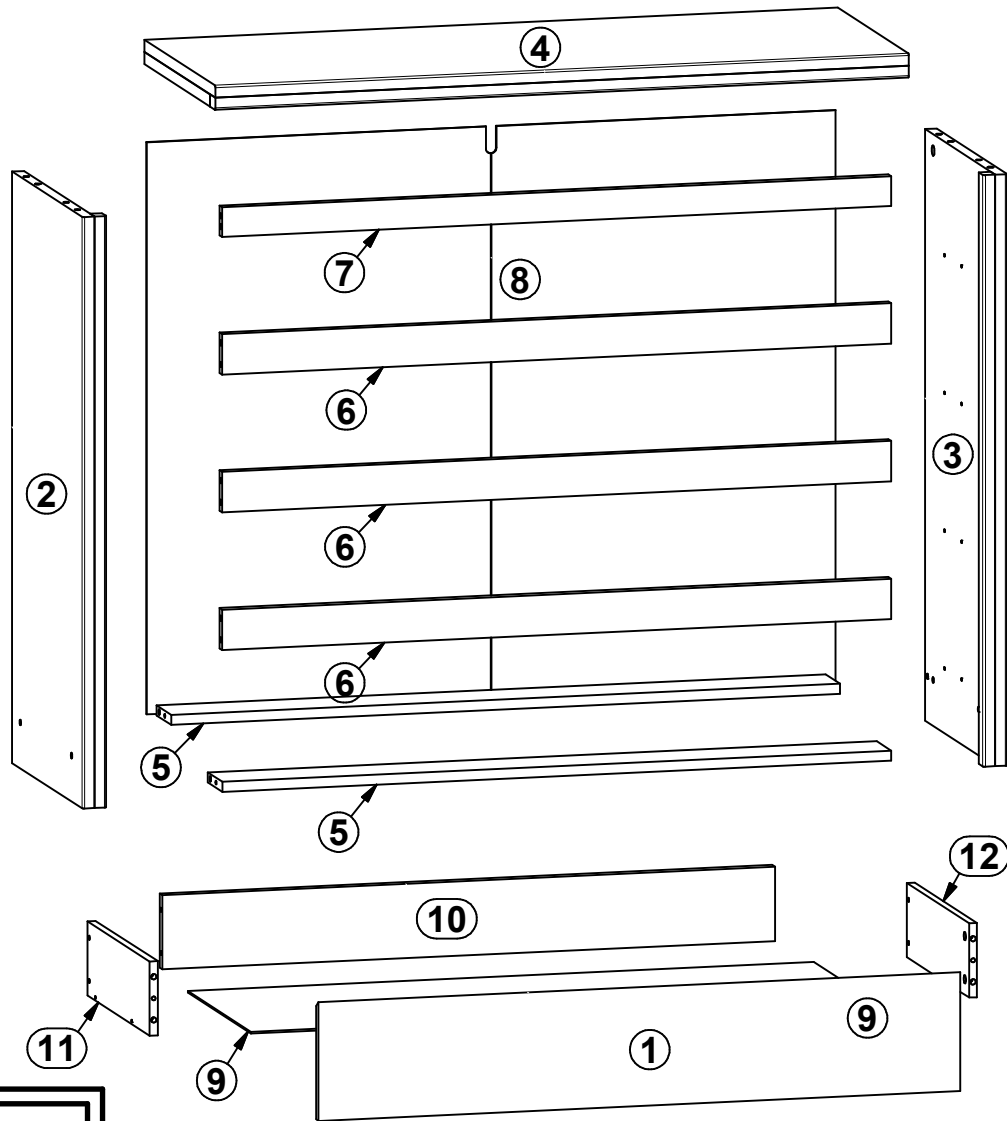
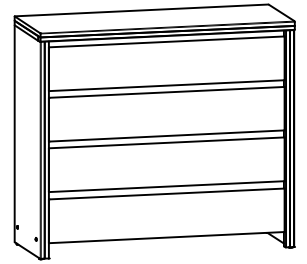


# KASPIAN

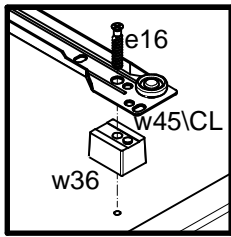
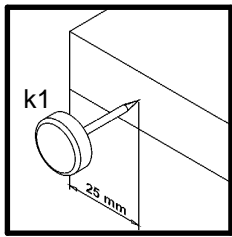
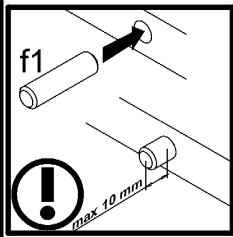
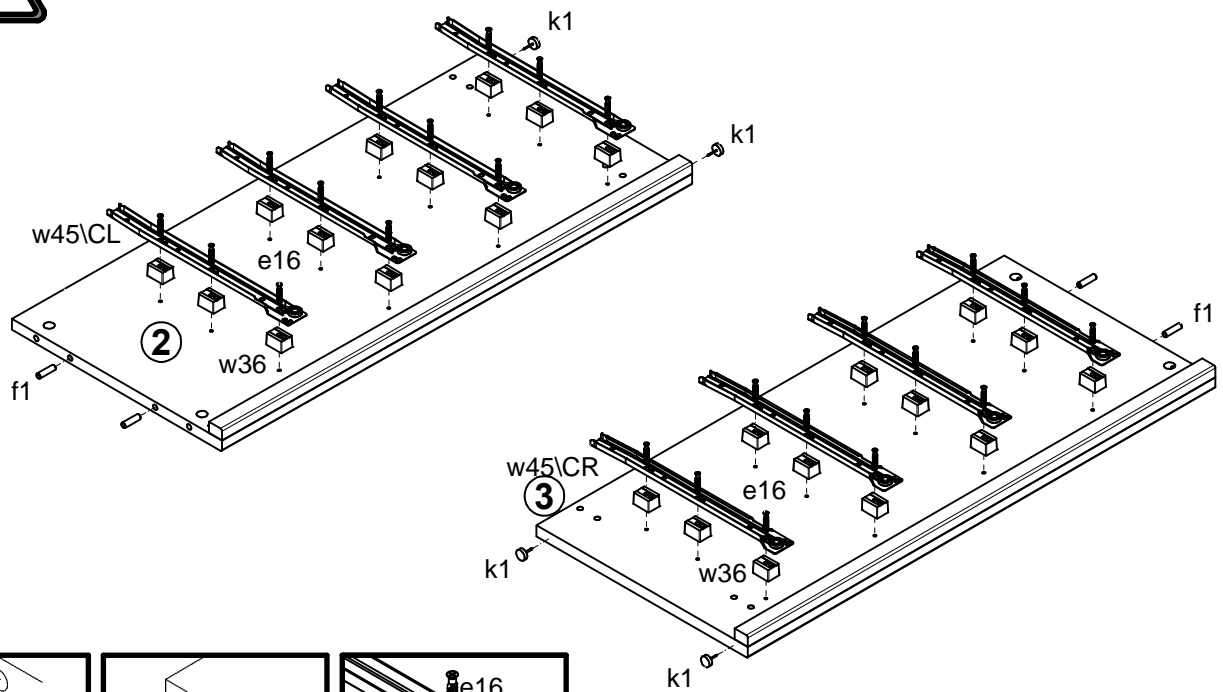
# S128-KOM4S

A	B	C1	C2	C3	D
1	S508-0008	968,	176	15	2/2
2	S508-1013	876	396	36	1/2
3	S508-1014	876	396	36	1/2
4	S508-2004	1046	399,	36	1/2
5	S508-4006	1009,	82	15	1/2
6	S508-4007	1009,	60	15	1/2
7	S508-4009	1009,	44	15	1/2
8	S508-9305	847	1039	2,5	1/2
9	WSP-9288	944	355	2,5	1/2
10	ZS7-5030	924	110	15	1/2
11	ZS7-521	350	110	12	1/2
12	ZS7-522	350	110	12	1/2

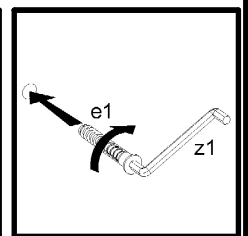
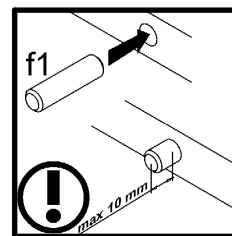
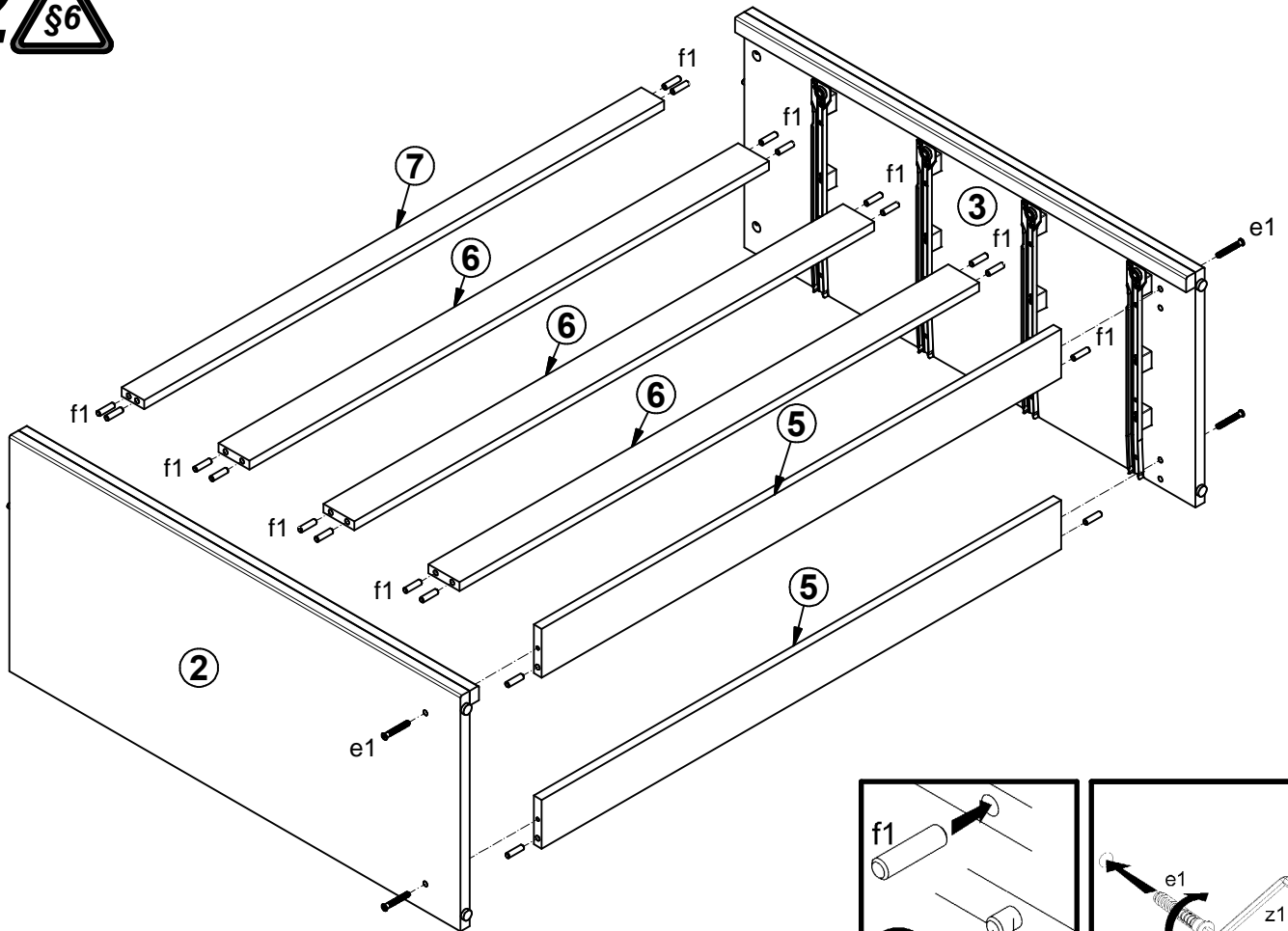


4x φ7x50 mm e1	24x φ6x30 mm e16	16x φ5x9 mm e19	24x φ8x30 mm f1	16x φ6,5x40 mm f25	4x k1	78x l1	4x φ3,5x16 mm p25	4x φ1,5x12mm #16 r1
16x φ12x10,5mm #12 r15	20x r42	4x s1	4x 350 mm t35	24x h=18 mm w36	4x 350 mm w45\CL	4x 350 mm w45\CR	4x 350 mm w45\DL	4x 350 mm w45\DR
1x z1	8x Ø6x30 mm f9	4x Ø3,5x10 mm p35						

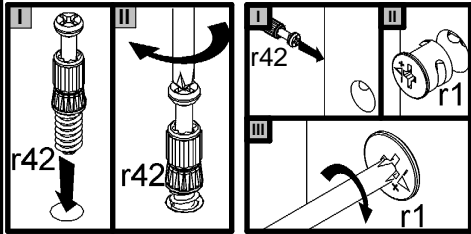
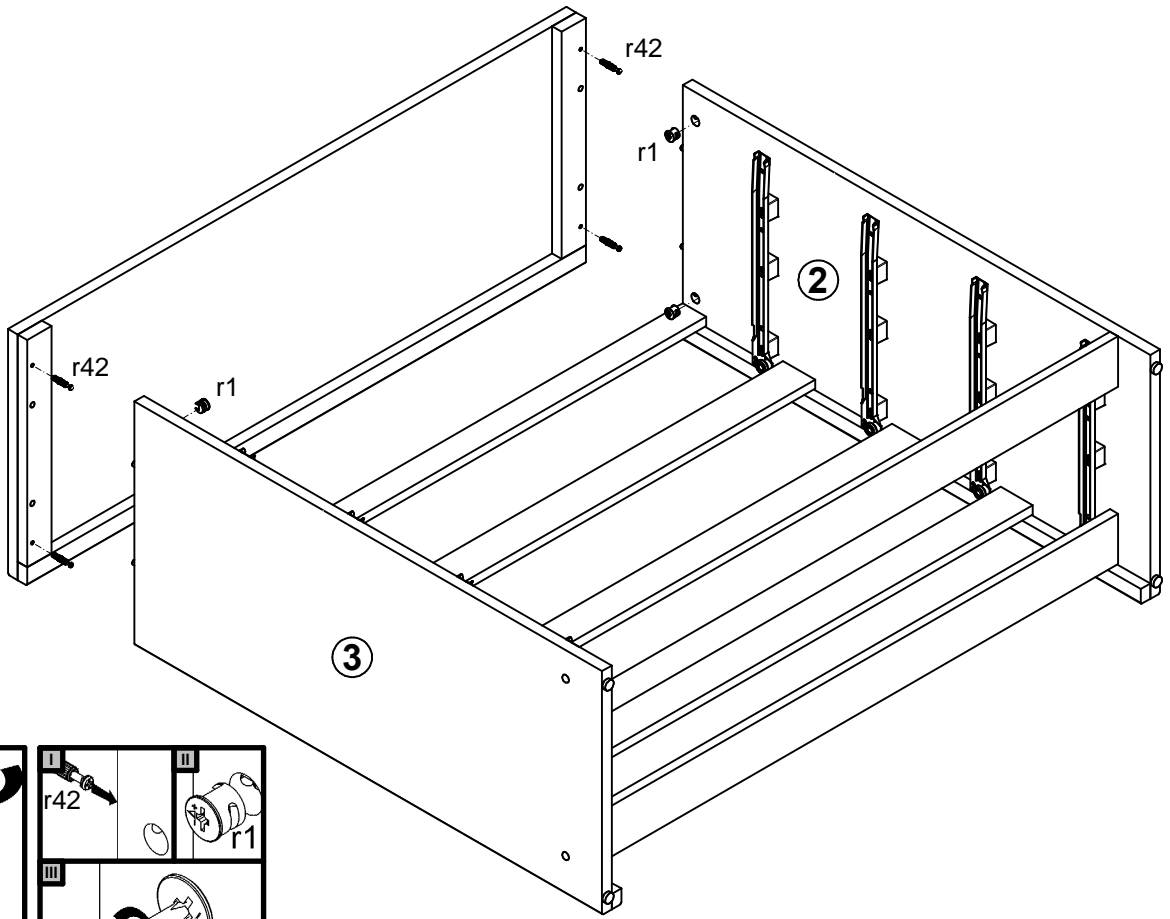
1 



2 



# 3



# 4

