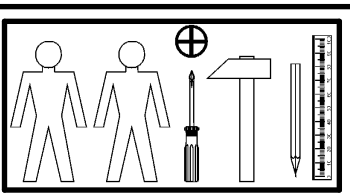
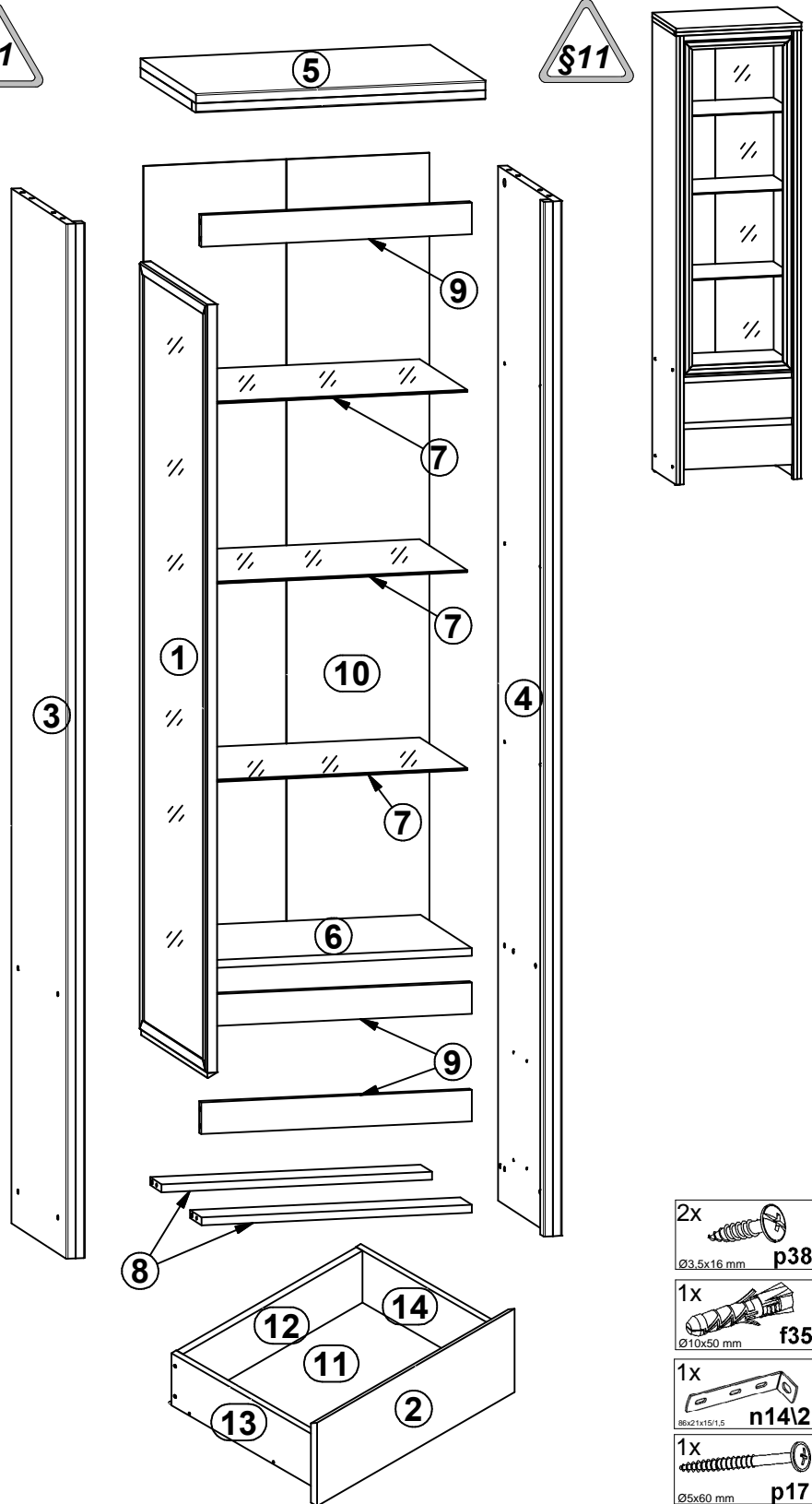
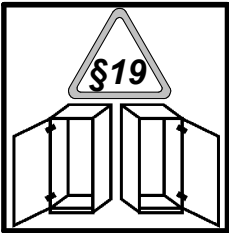
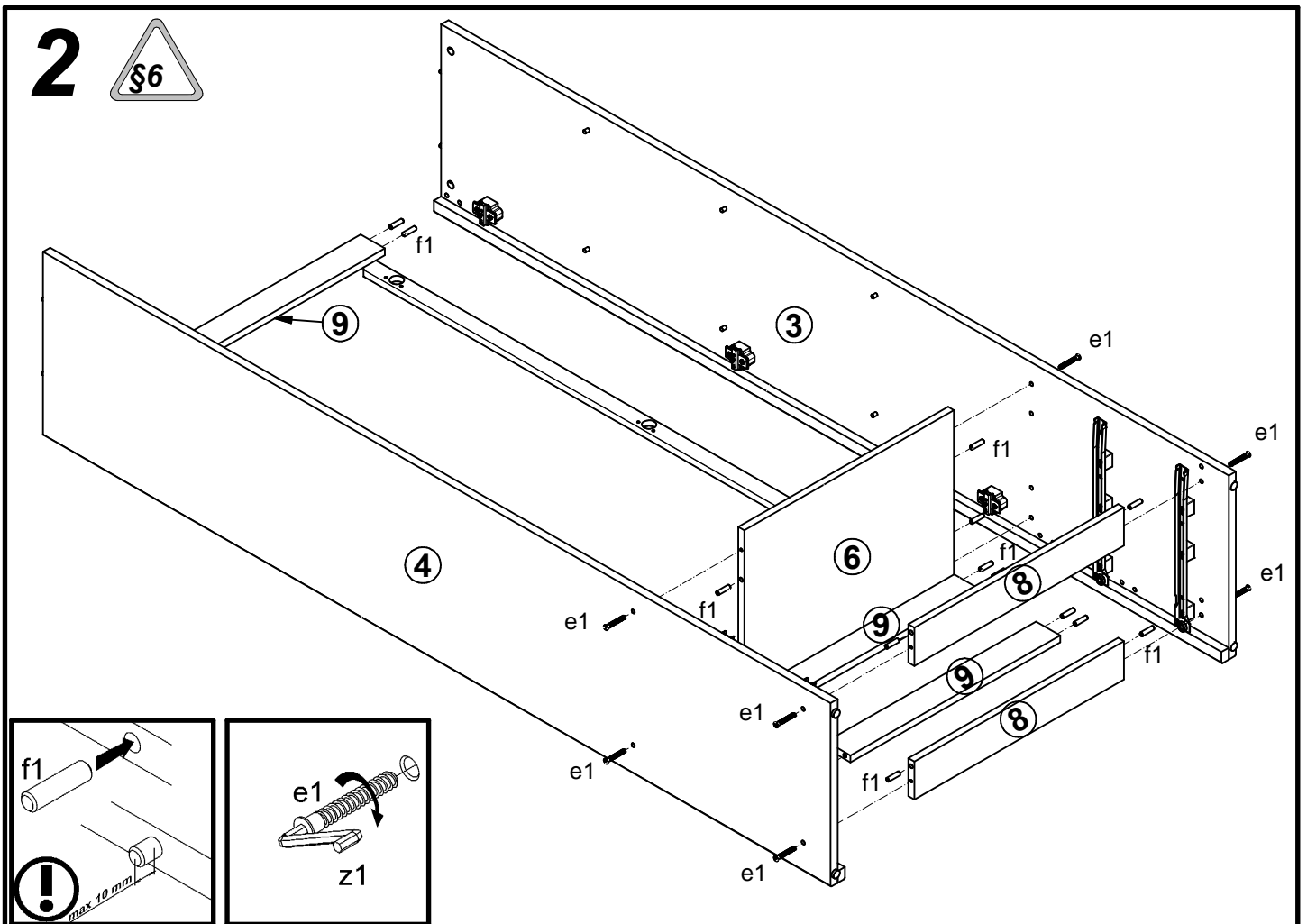
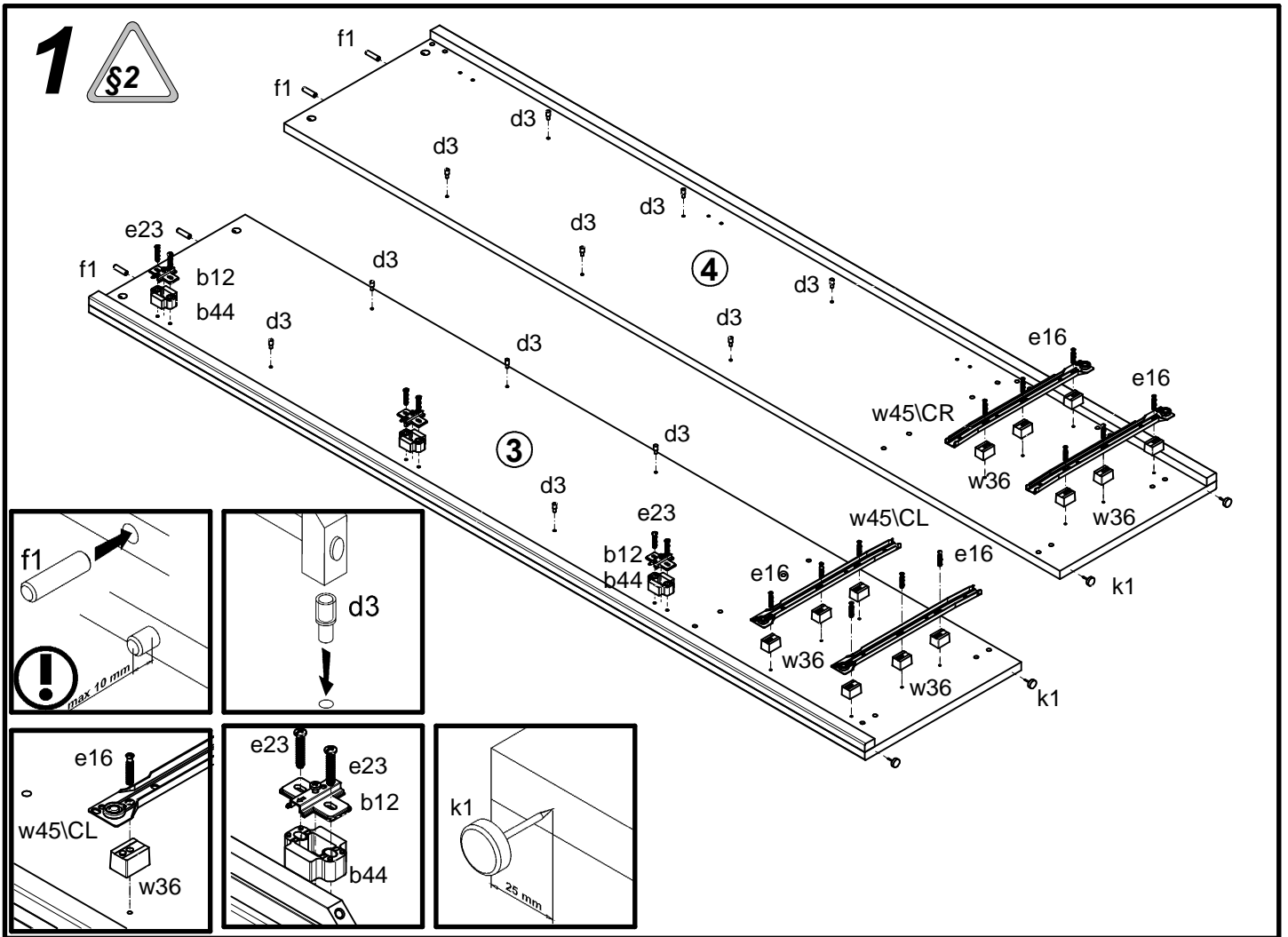


# S128-REG1W2S

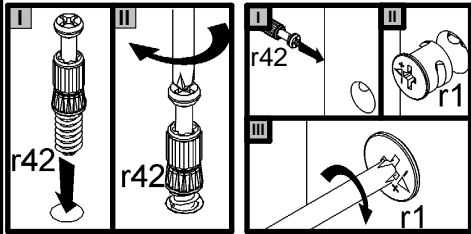
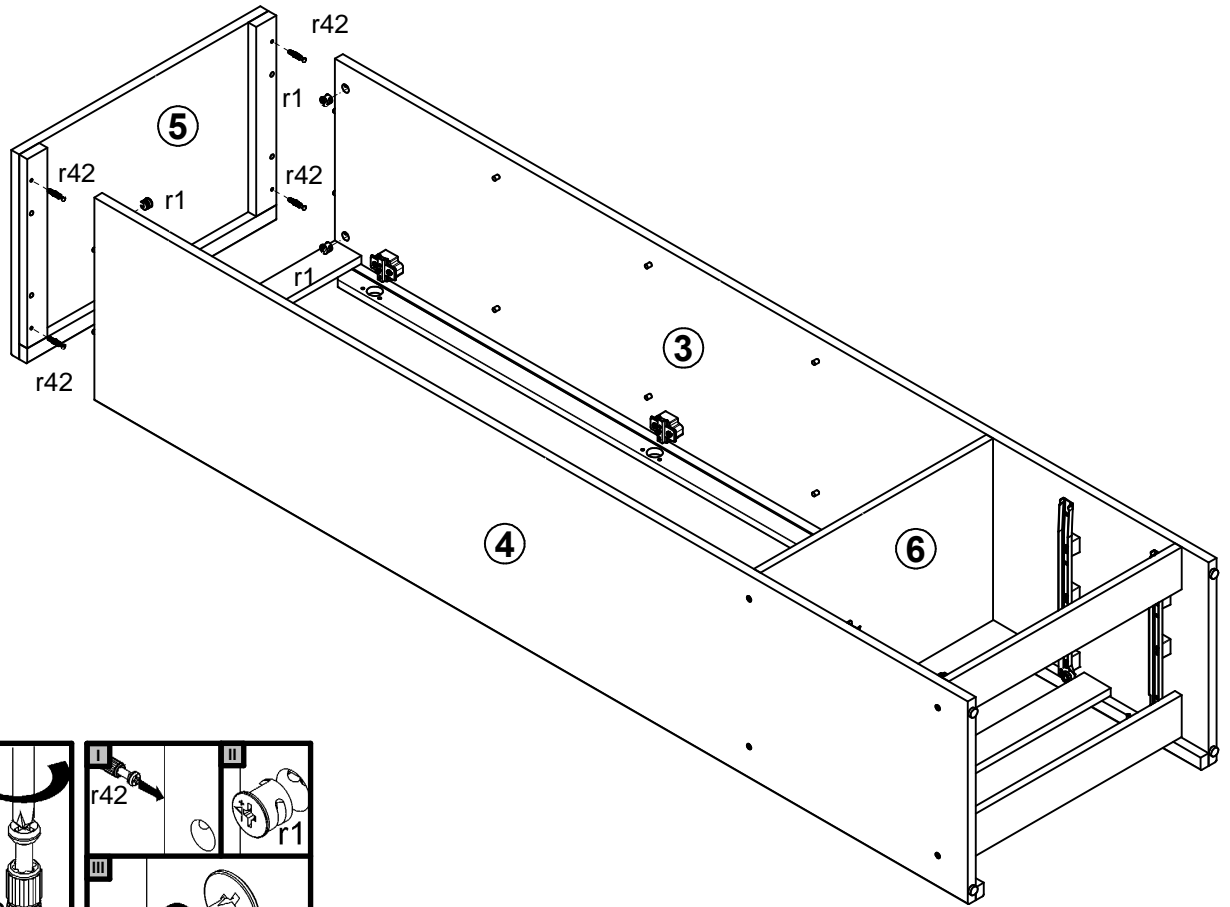
A	B	C	D
1	S508-0001	1468	479
2	S508-0002	482	176
3	S508-1001	1964	396
4	S508-1002	1964	396
5	S508-2001	560	399
6	S508-3001	523	370
7	S508-3002	521	345
8	S508-4001	523	82
9	S508-4002	523	60
10	S508-9301	1511	553
11	WSP-9285	458	355
12	ZS7-5027	438	110
13	ZS7-521	350	110
14	ZS7-522	350	110



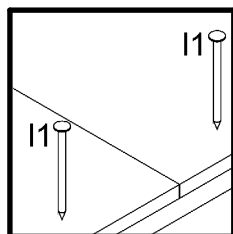
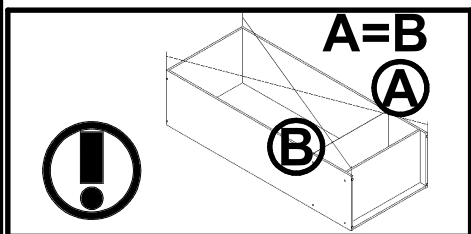
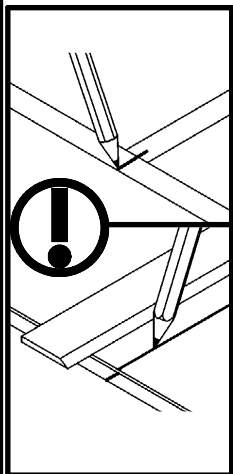
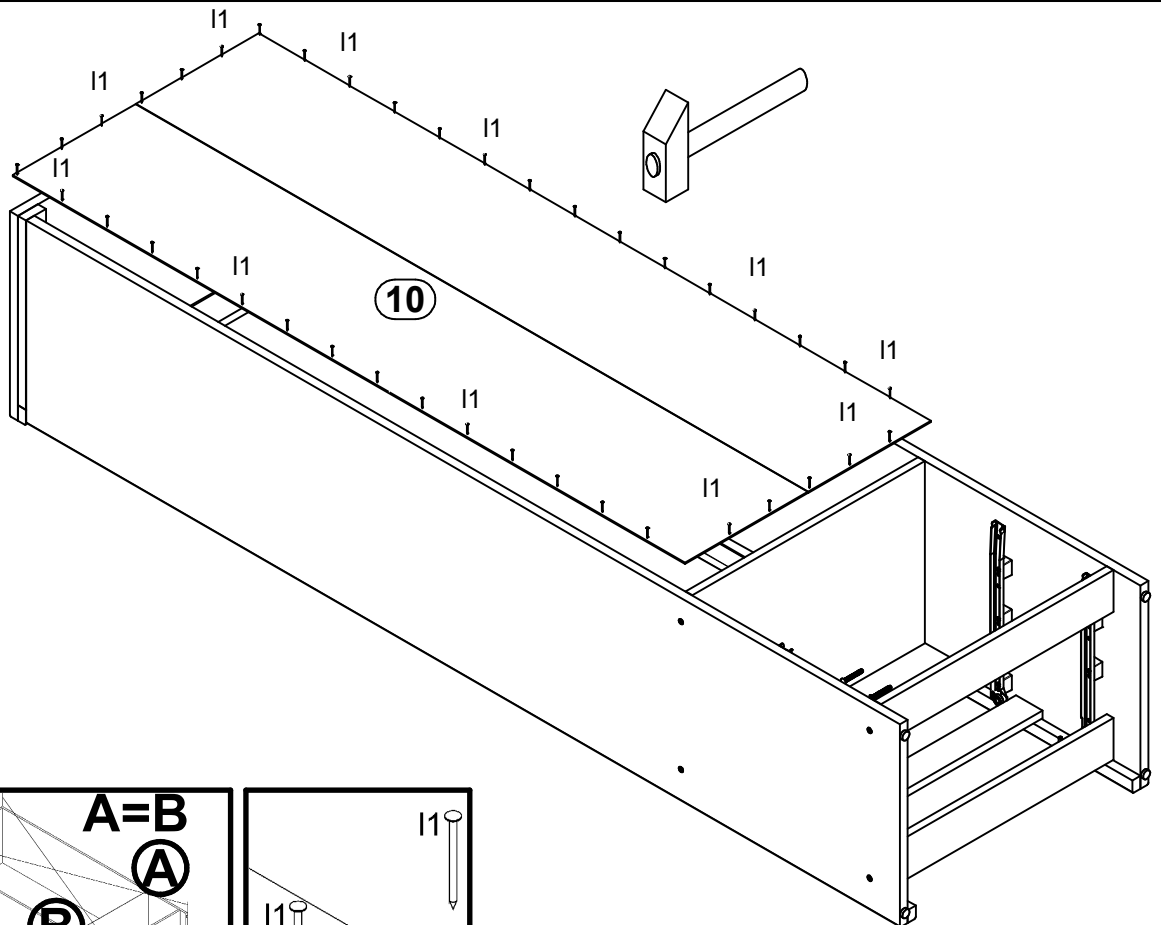
3x  a1	3x  b12	3x  b44	12x $\varnothing 5 \times 17$ mm d3	8x $\varnothing 7 \times 50$ mm e1	12x $\varnothing 6 \times 30$ mm e16	8x $\varnothing 5 \times 9$ mm e19	6x $\varnothing 6.3 \times 30$ mm e23	24x $\varnothing 8 \times 30$ mm f1
8x $\varnothing 6.5 \times 40$ mm f25	4x  k1	55x  l1	4x $\varnothing 1.5 \times 12$ mm #16 r1	8x $\varnothing 1.2 \times 10.5$ mm #12 r15	12x  r42	12x  w36 h=18 mm	2x 350 mm w45ICL	2x 350 mm w45ICR
2x 350 mm w45IDL	2x 350 mm w45IDR	1x  z1	8x  s1	4x $\varnothing 16$ s2	3x $\varnothing 26$ mm s8	6x $\varnothing 5$ s4	4x $\varnothing 6 \times 30$ mm f9	



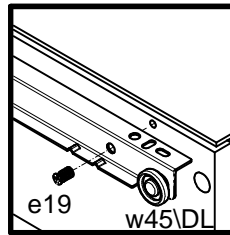
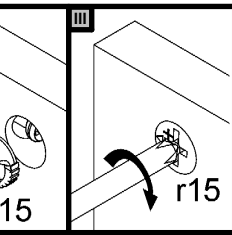
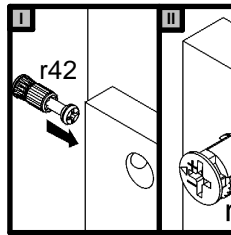
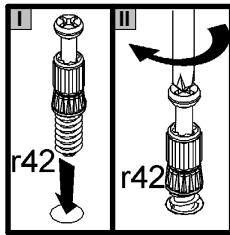
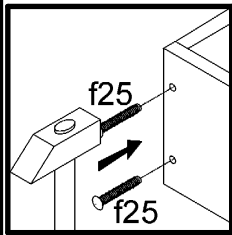
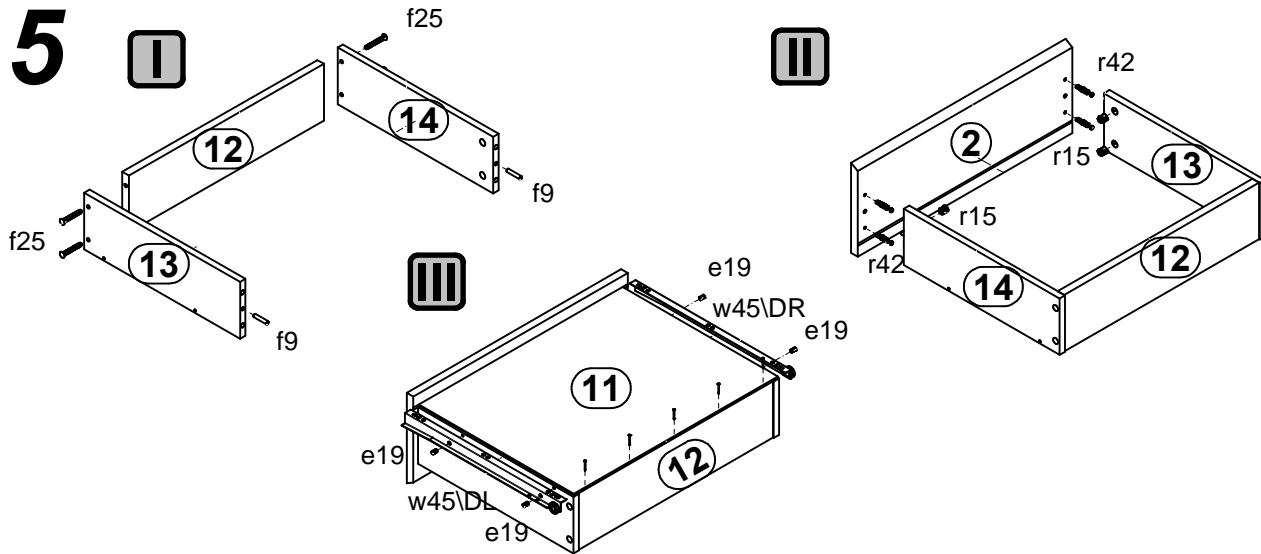
# 3



# 4



# 5



# 6

