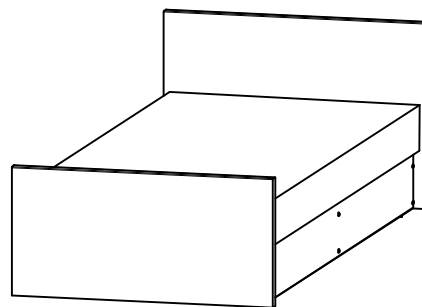


A

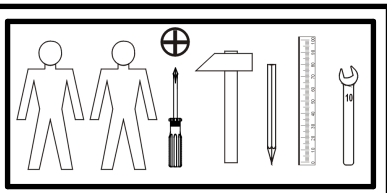
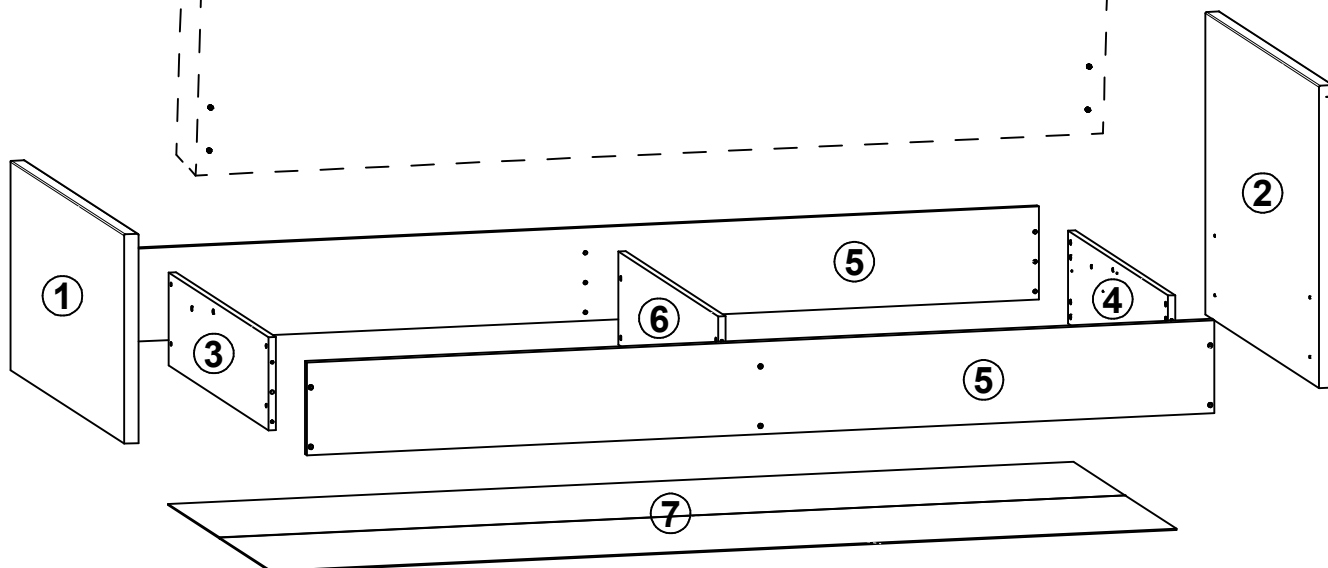
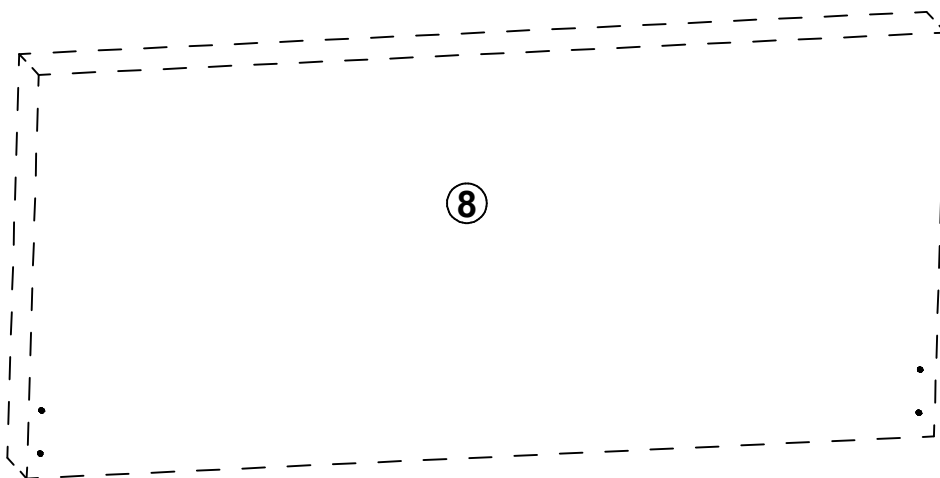
MALCOLM 22-361

S325-LOZ 90

A	B	C	D
1	S325-026	930	450
2	S325-027	930	650
3	S325-132	818	200
4	S325-133	818	200
5	S325-134	1990	200
6	S325-135	818	200
7	S325-923	1986	845

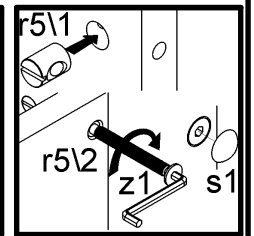
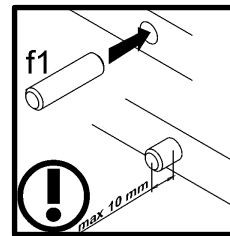
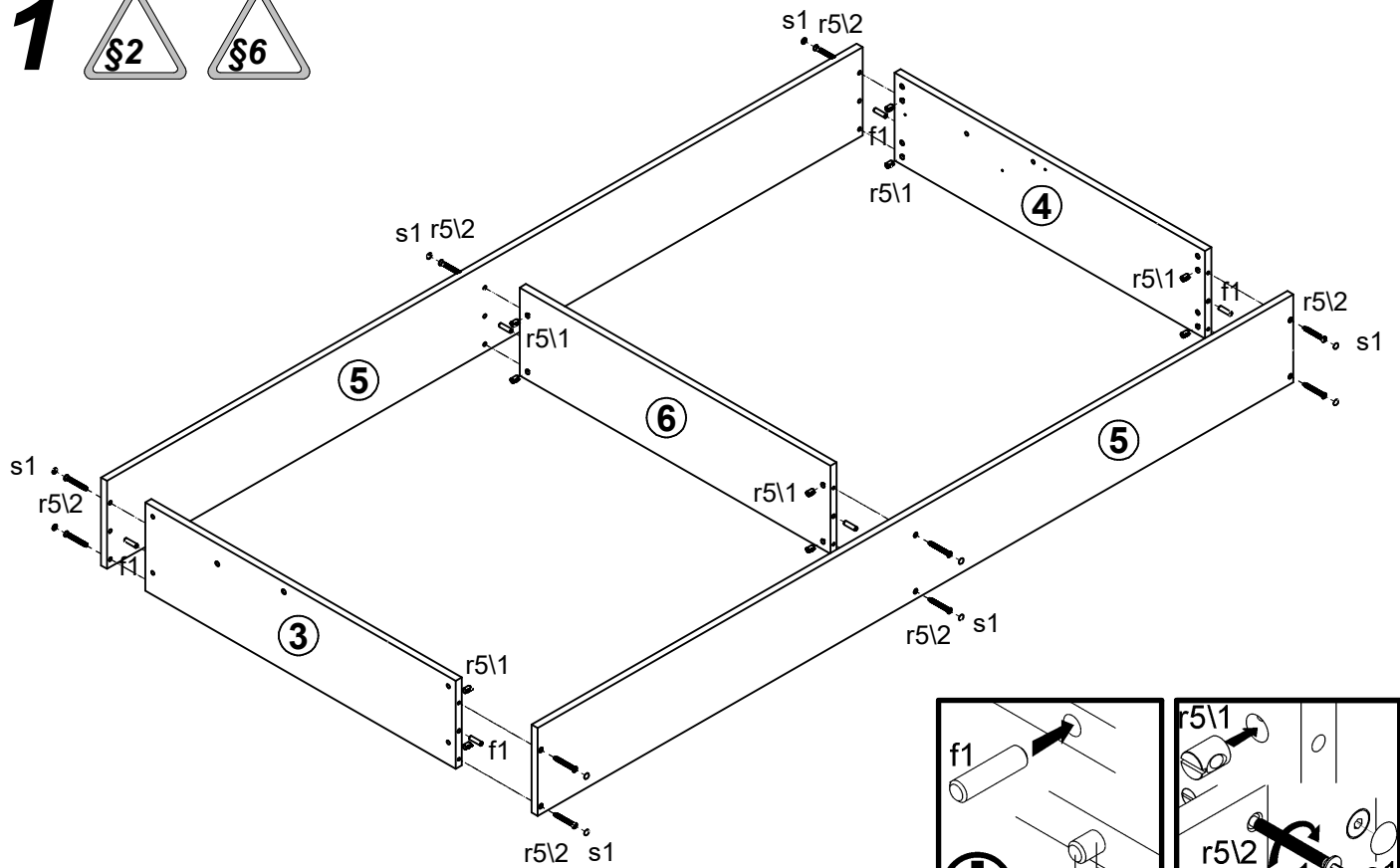


A	B	C	D
8	materac	1990	900

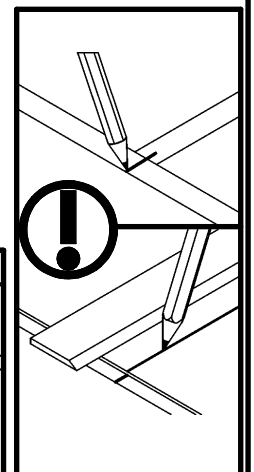
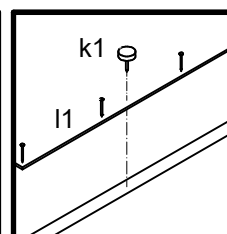
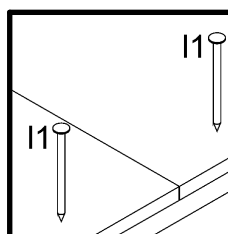
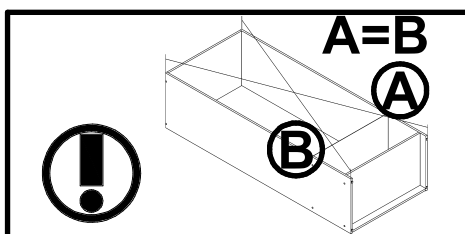
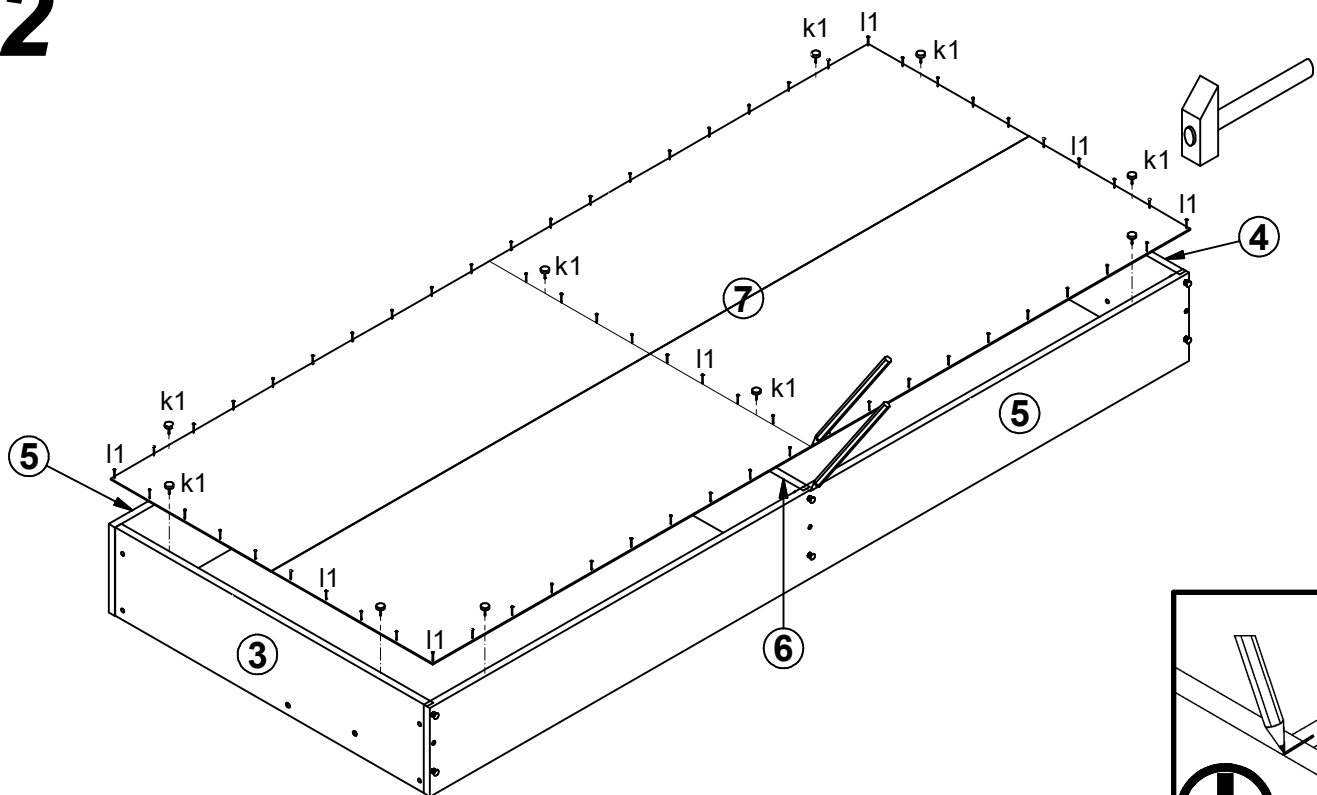


8x φ7x28 mm e22	6x φ8x30 mm f1	4x M6x30 mm j9	8x M6 j10	10x k1	70x l1	4x m28\1	1x m28\L	1x z1
1x m28\P	8x φ6 mm o6	6x Ø3.5x13 mm p27	12x φ10x13 mm r5\1	12x φ6x50 mm r5\2	12x s1	1x 395mm s7\L	1x 395mm s7\P	

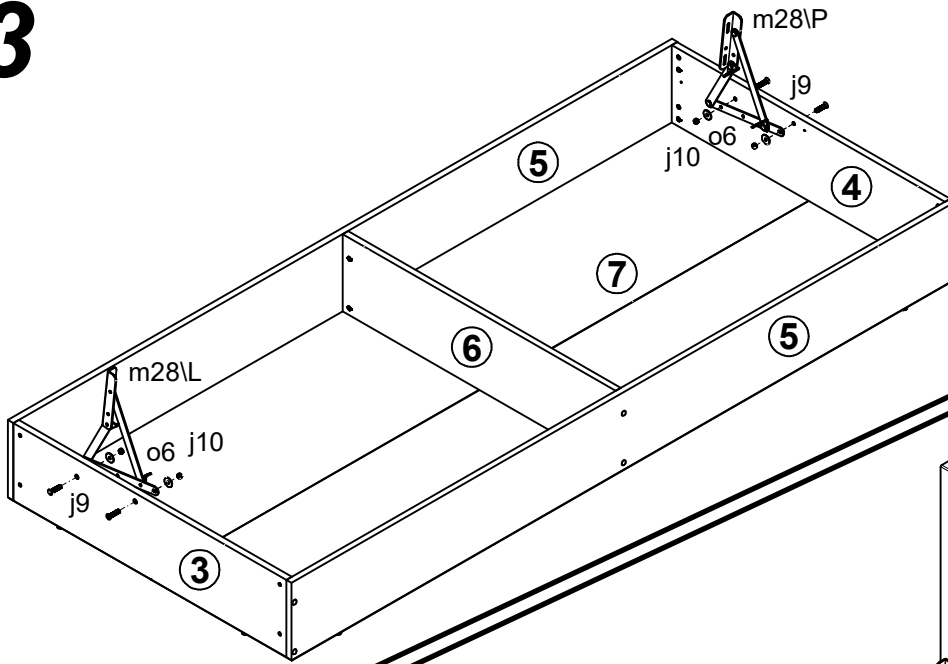
1



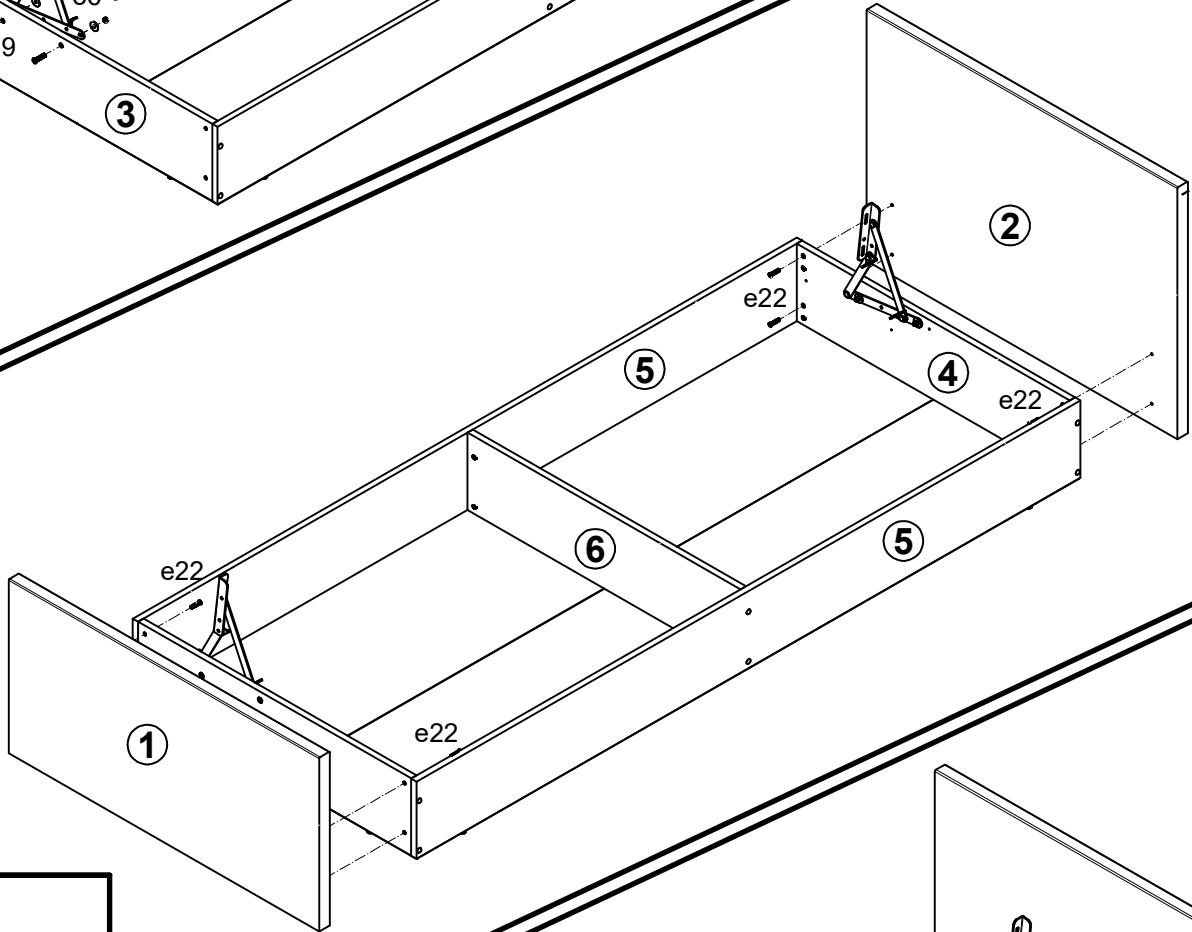
2



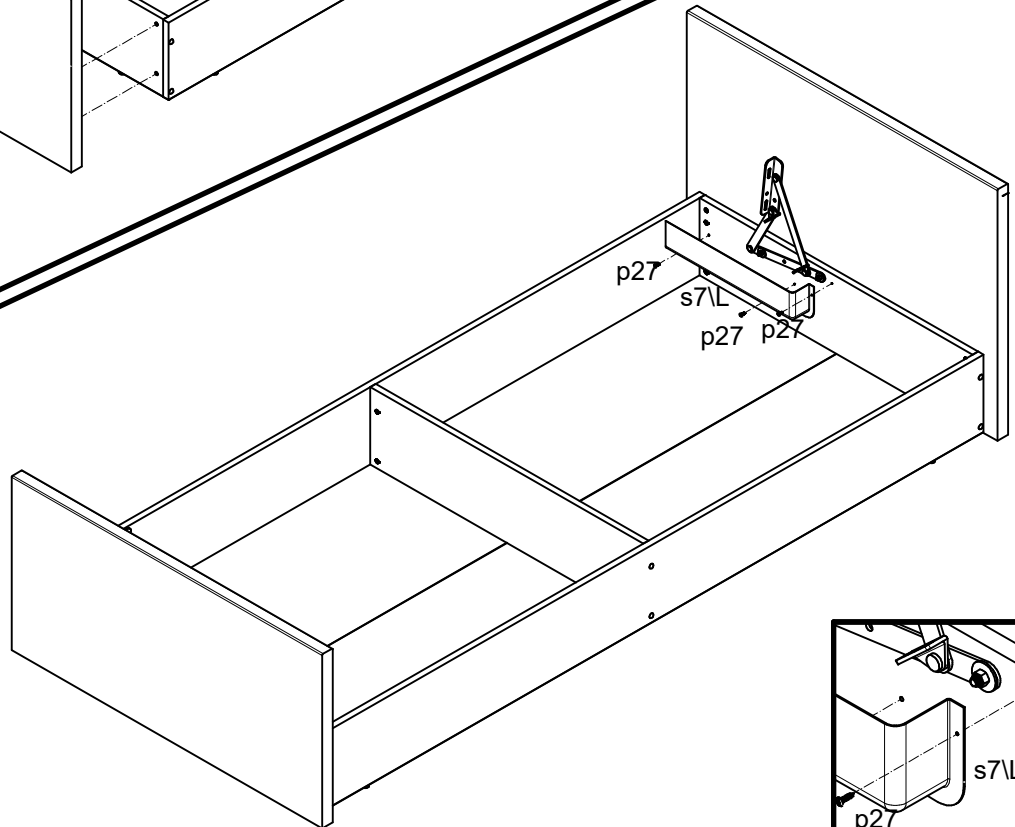
3



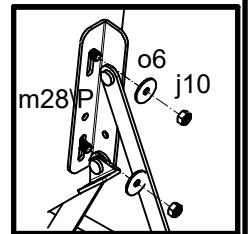
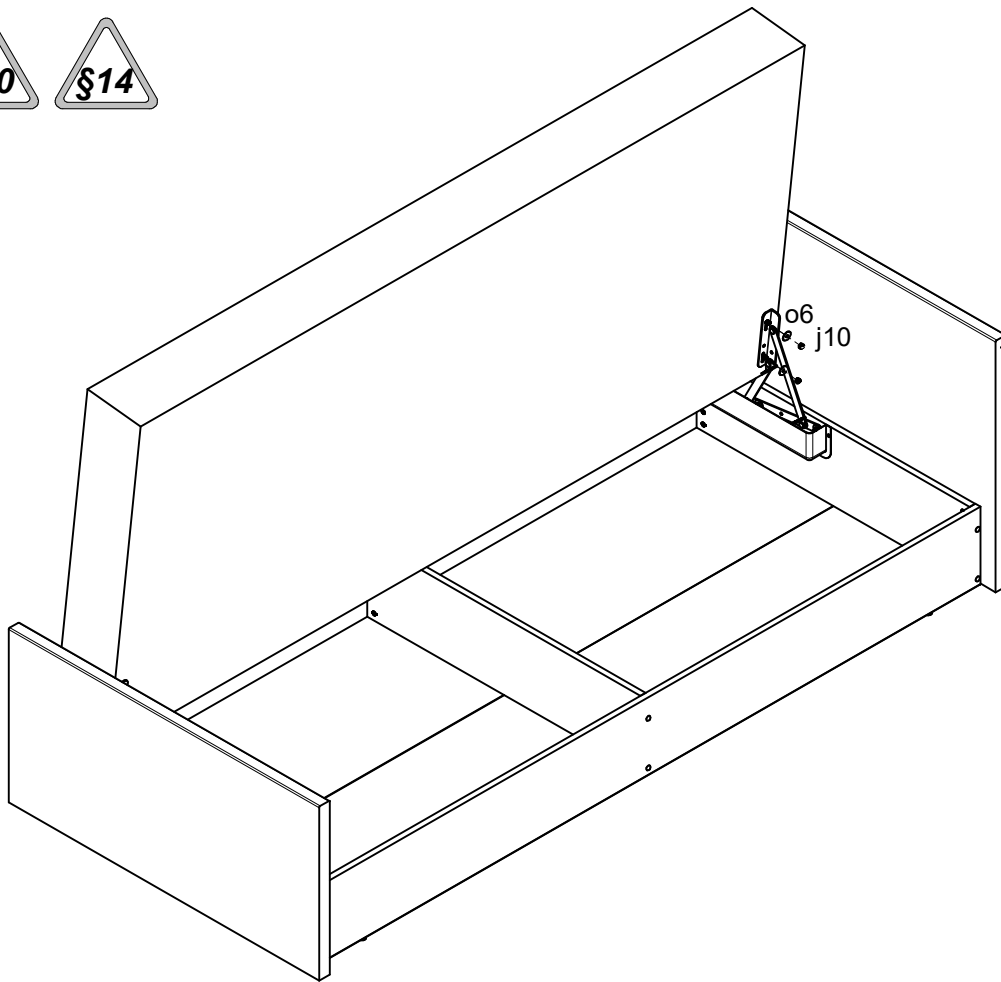
4



5



6



7

