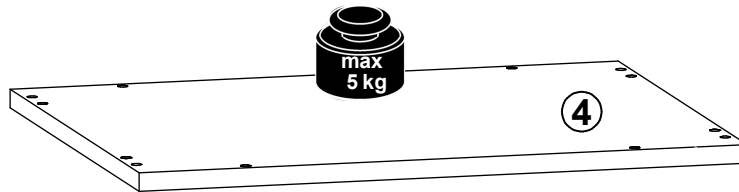
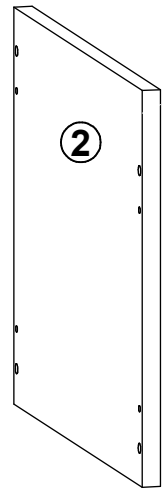
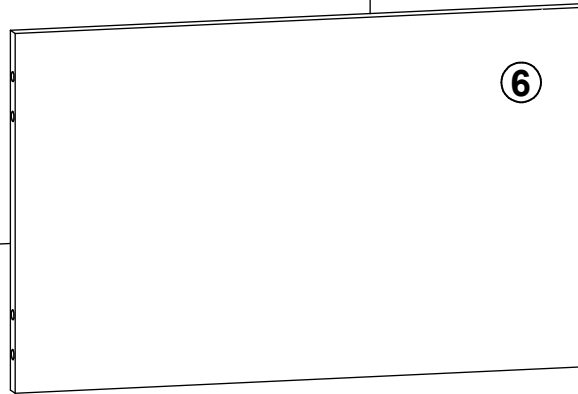
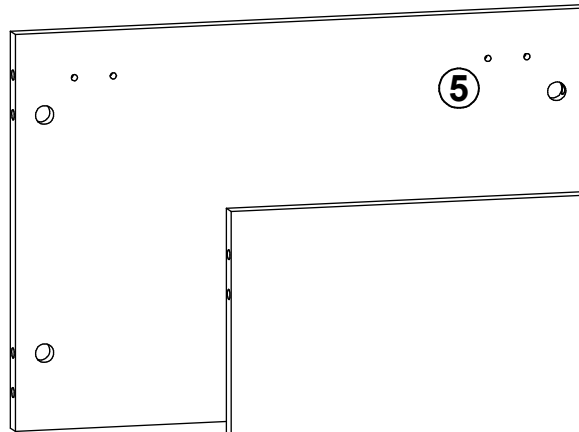
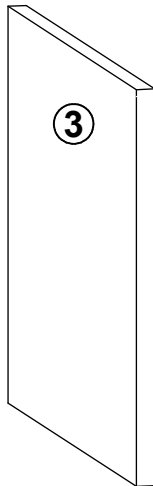
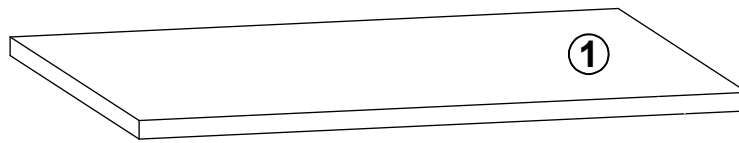
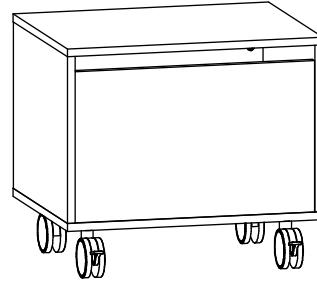
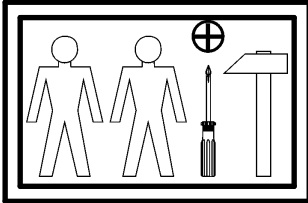
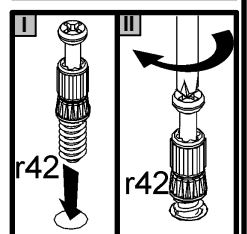
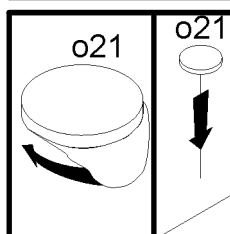
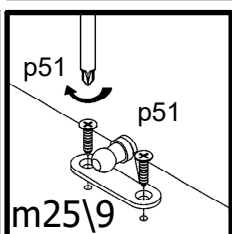
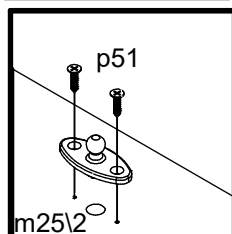
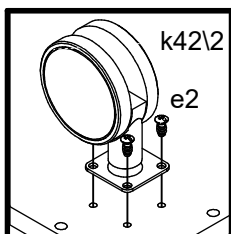
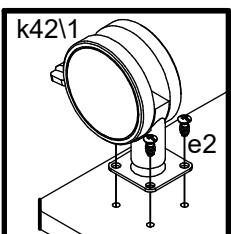
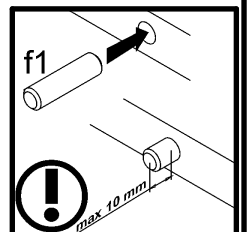
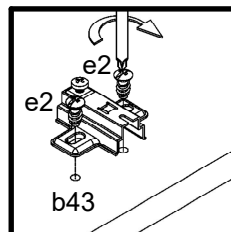
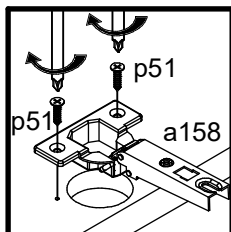
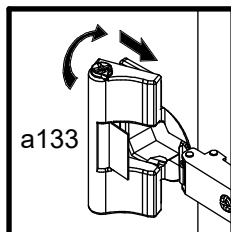
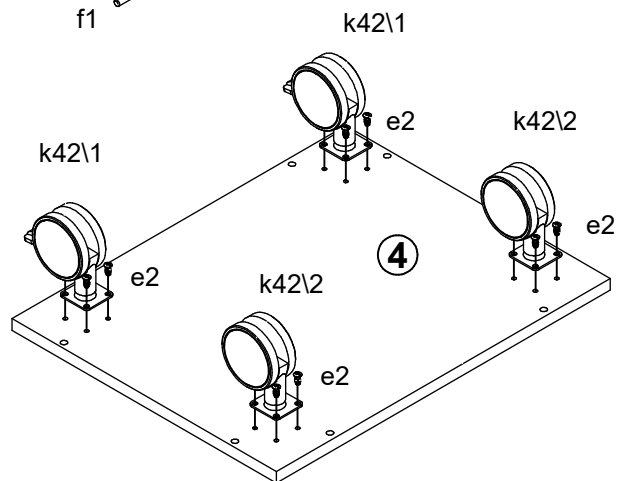
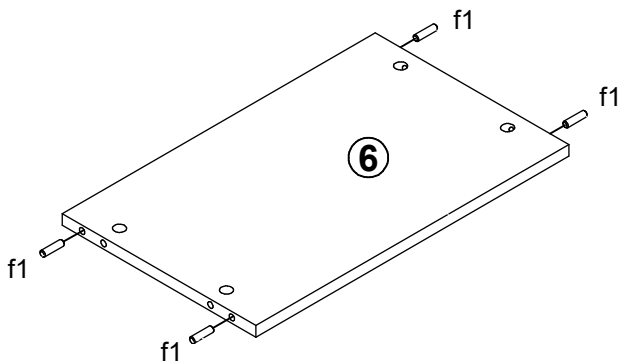
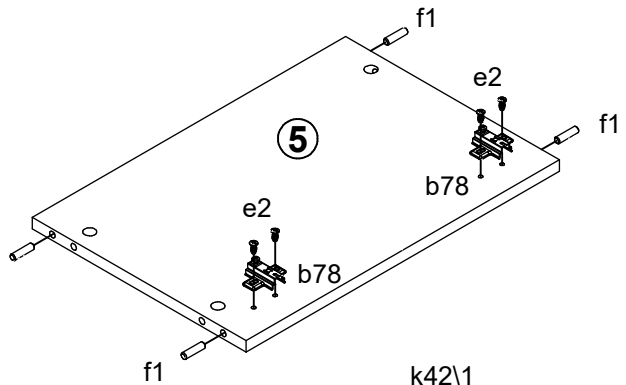
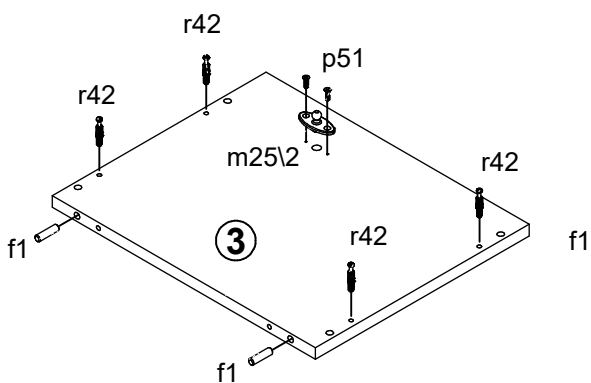
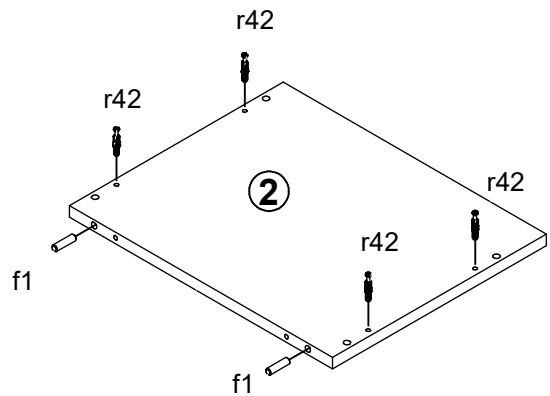
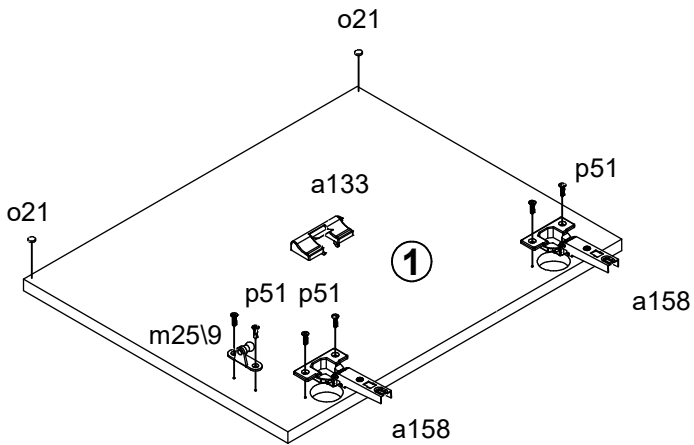


A	B	C		D
1	S441-0010	500	396	1/1
2	S441-1017	320	394	1/1
3	S441-1018	320	394	1/1
4	S441-2006	500	396	1/1
5	S441-5008	469	320	1/1
6	S441-5009	469	290	1/1

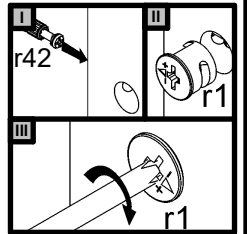
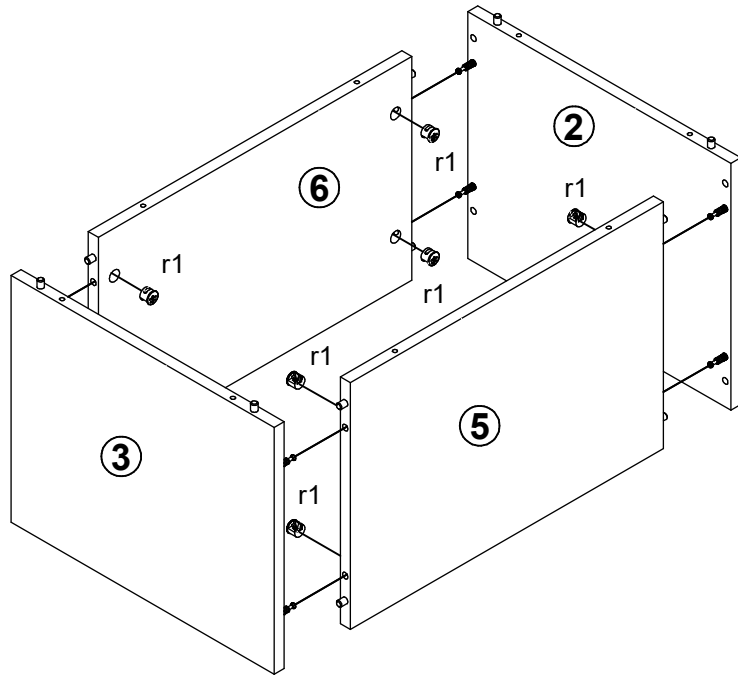


1x a133	2x a158	2x b78	8x Ø7x50 mm e1	20x Ø6.3x13 mm e2	12x Ø8x30 mm f1	2x Ø75.5 mm k42/1	2x Ø75.5 mm k42/2	1x m25/2
1x 50 N m25/7	1x m25/9	2x silikon o21	8x Ø3.5x15 mm p51	8x Ø15x12 mm #16 r1	8x 20/11 r42	8x Ø 20mm s68	1x 4 mm z1	

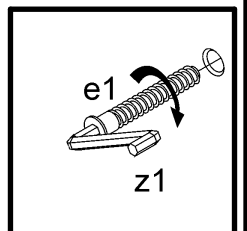
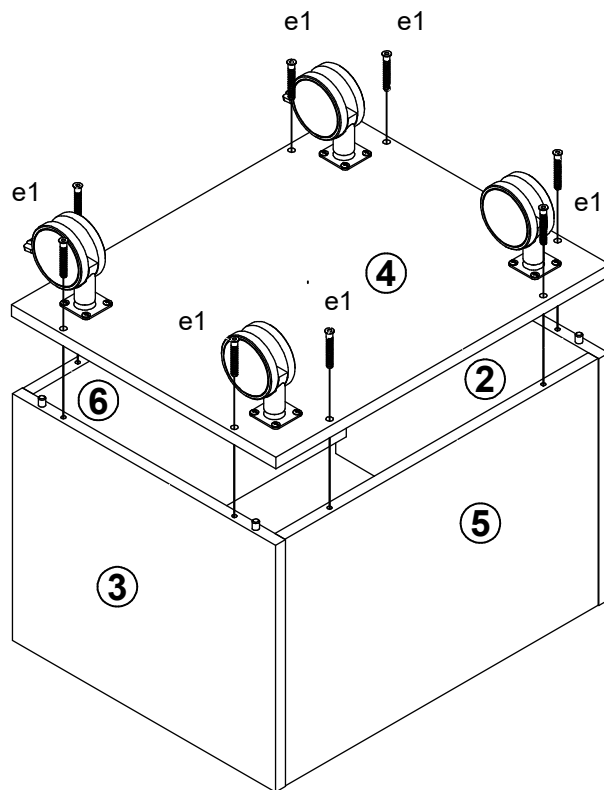
1 



2



3



4

