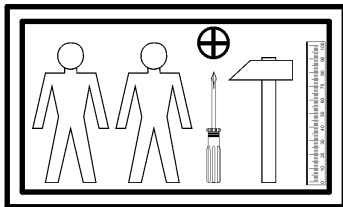
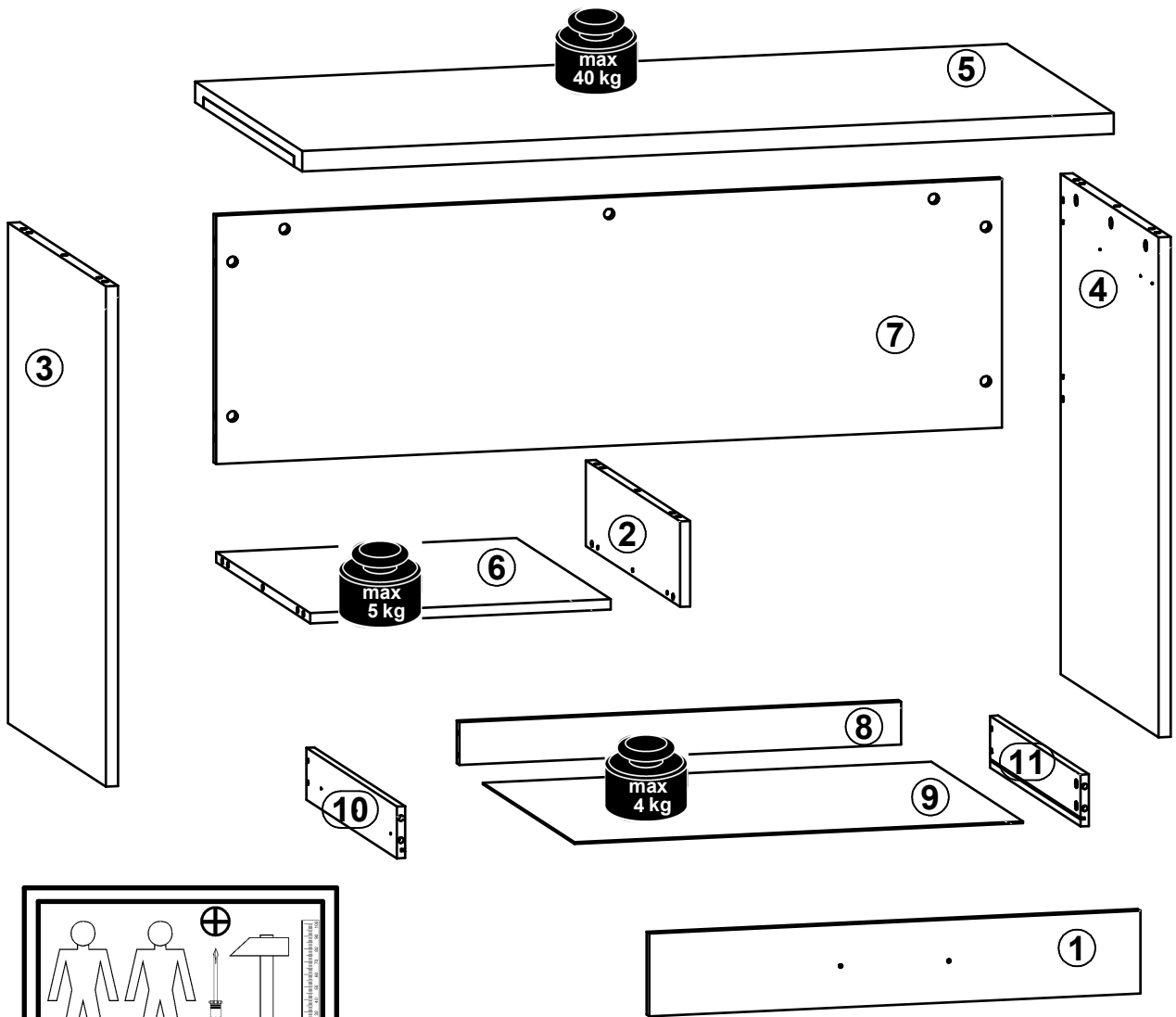
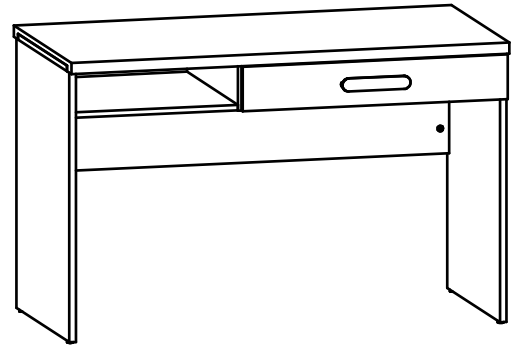
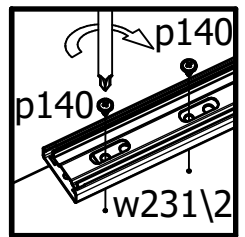
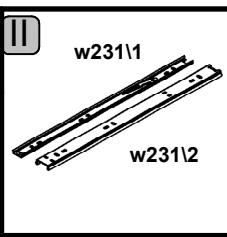
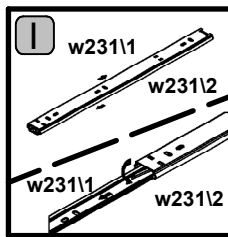
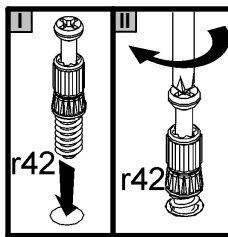
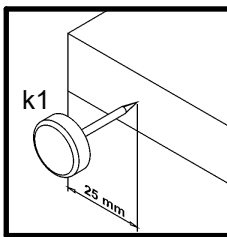
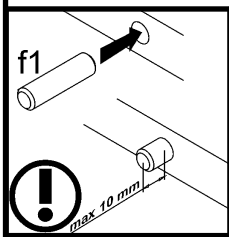
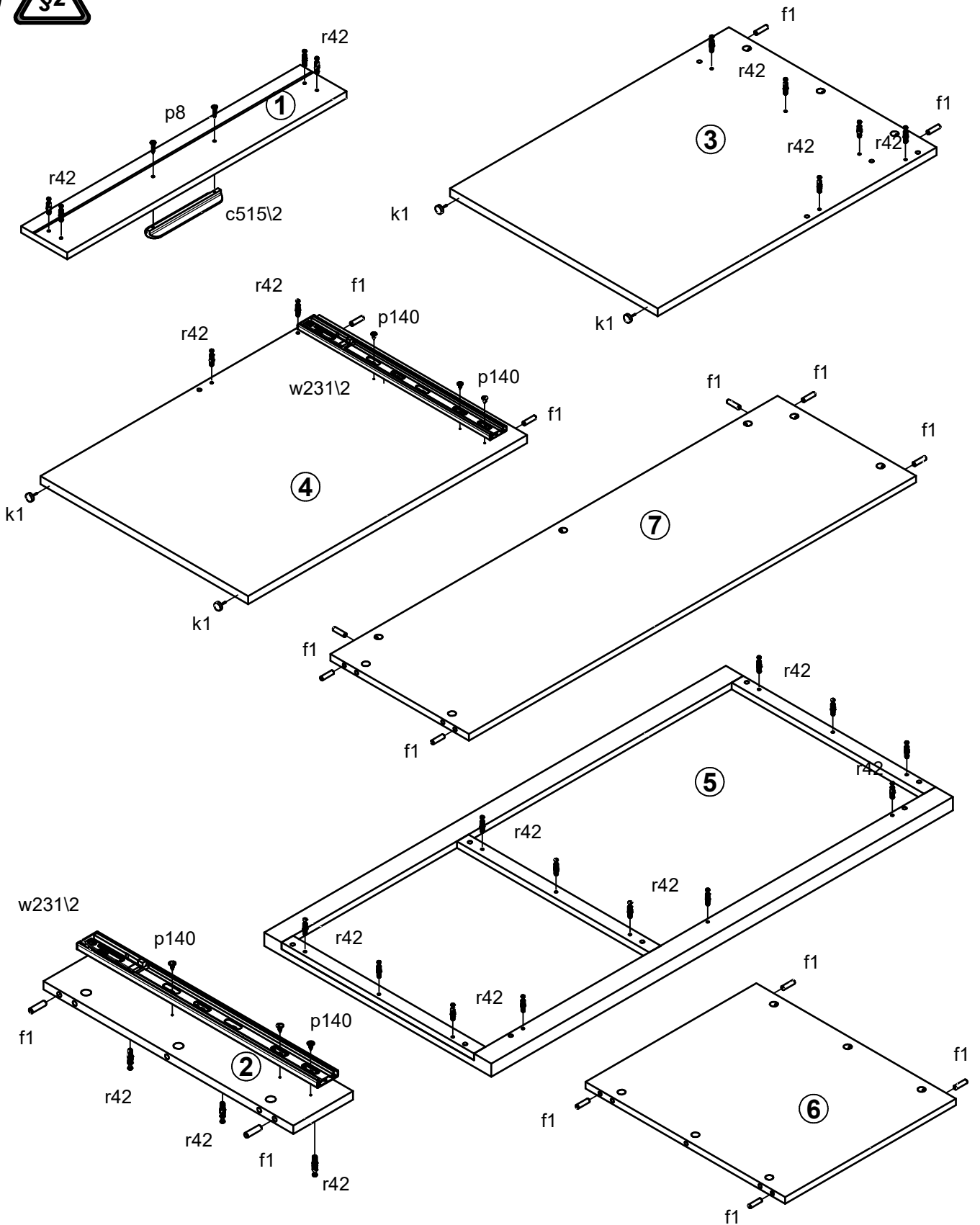


A	B	C	D
1	S464-0019	726,	120
2	S464-1022	124,	520
3	S464-1023	725	540
4	S464-1024	725	540
5	S464-2013	1200	590
6	S464-3021	444,	519,
7	S464-5002	1162,	360
8	S464-5006	653	62
9	S464-9011	663,	507
10	ZK4-539	500	75
11	ZK4-540	500	75

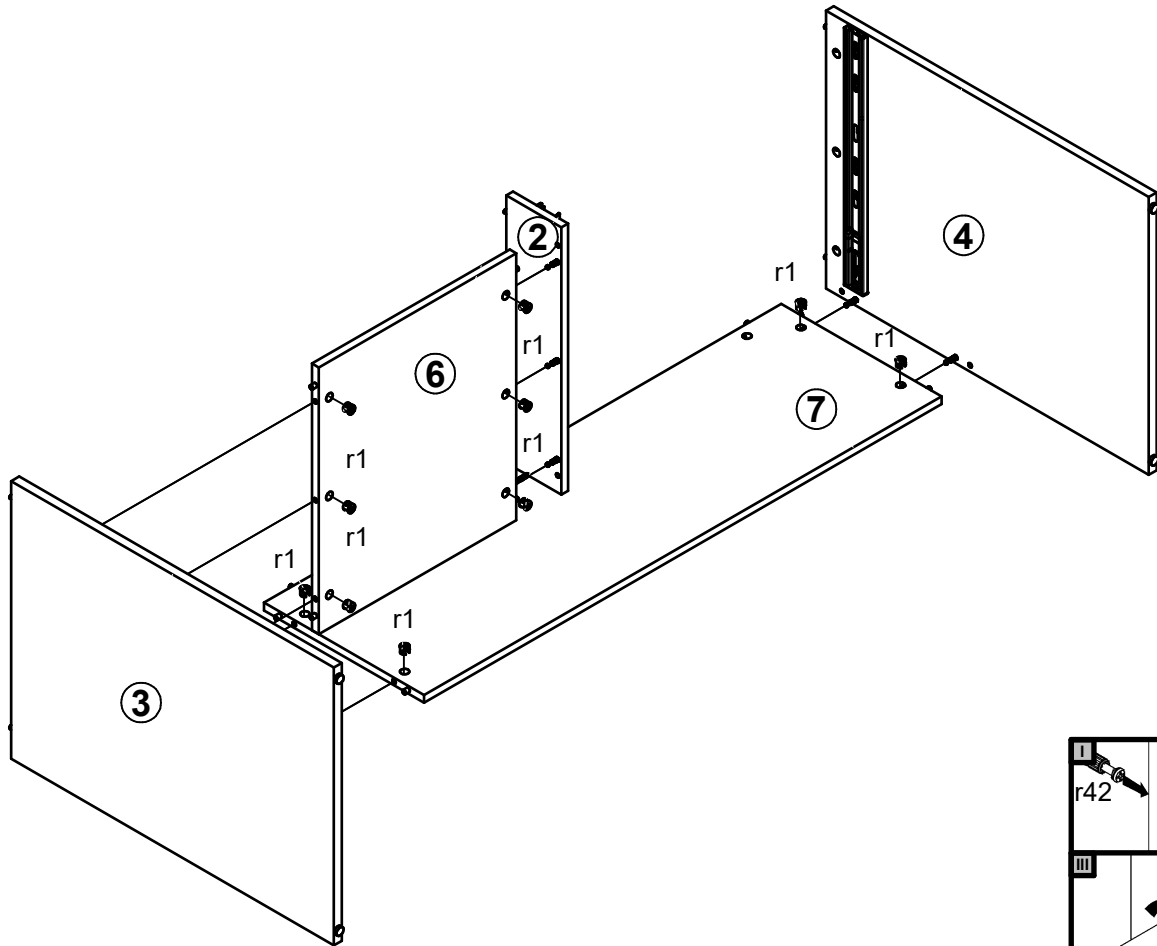


1x 160mm c515/2	4x Ø6x45 mm e38	16x Ø8x30 mm f1	4x k1	2x Ø4x25 mm p8	1x Ø3.5x16 mm p25	1x Ø3.5x10 mm p35	4x Ø3.5x16 mm p38	12x Ø3.5x12 mm p140
22x Ø15x12 mm #16 r1	4x Ø12x10.5 mm #12 r15	26x 20/11 r42	1x 500 mm t34	2x L=500 mm w231/1	2x L=500 mm w231/2	7x Ø 20mm s68		

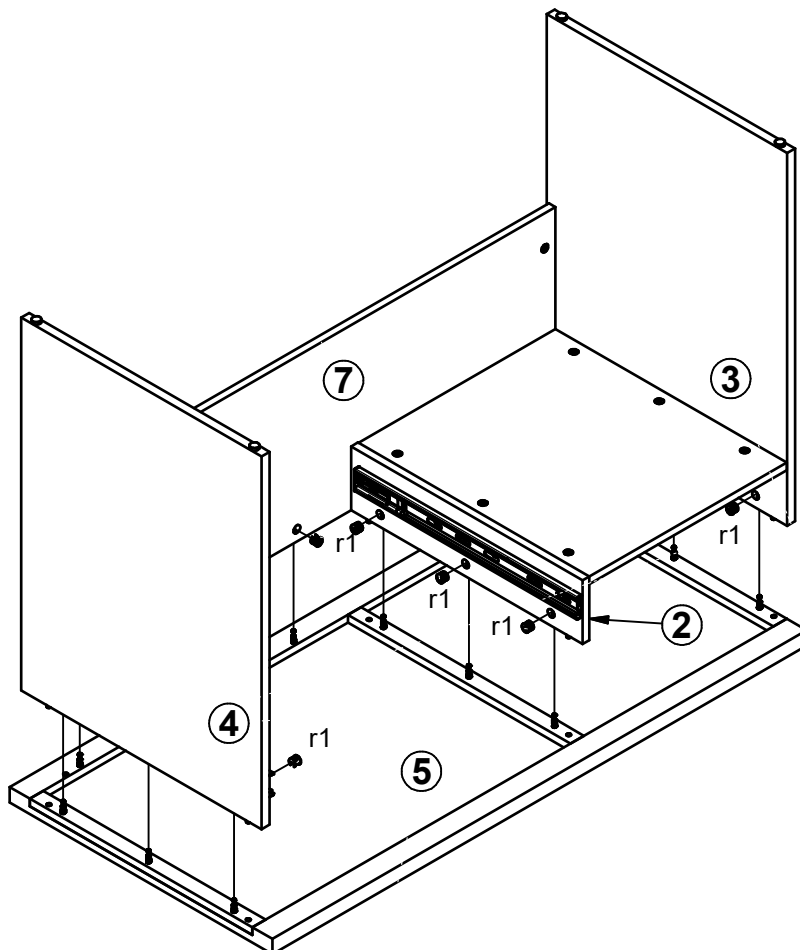
1



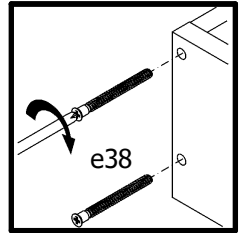
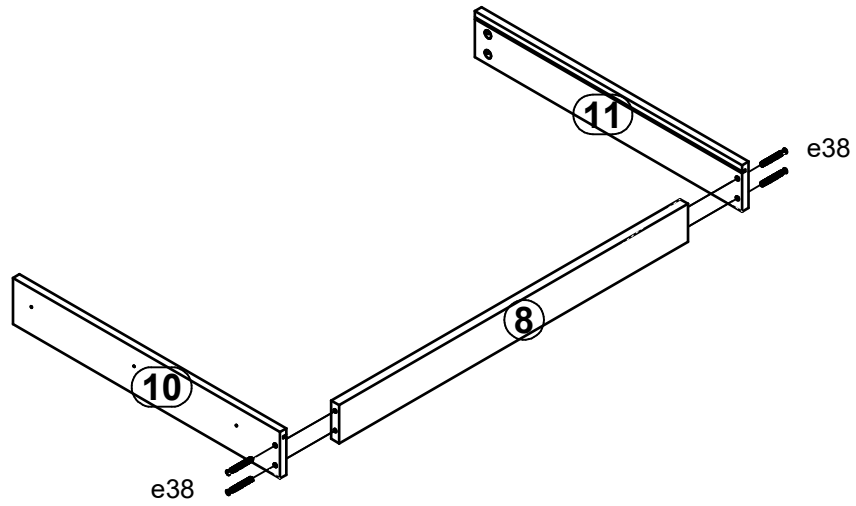
2



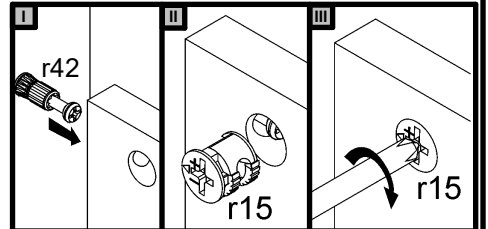
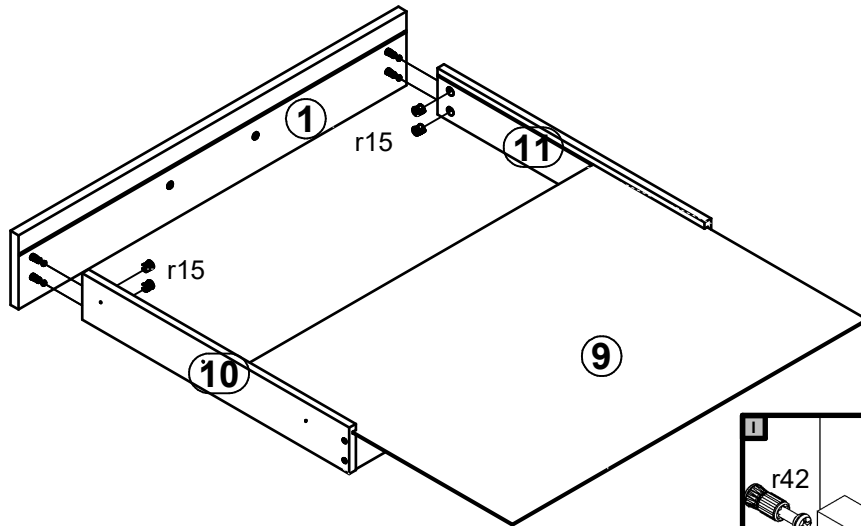
3



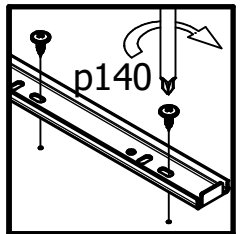
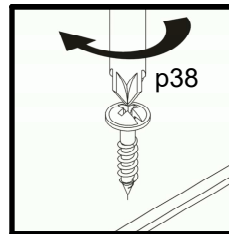
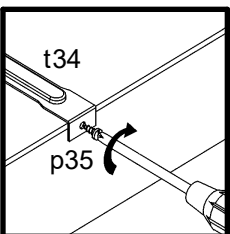
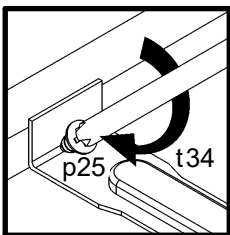
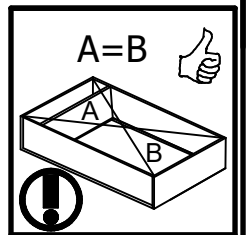
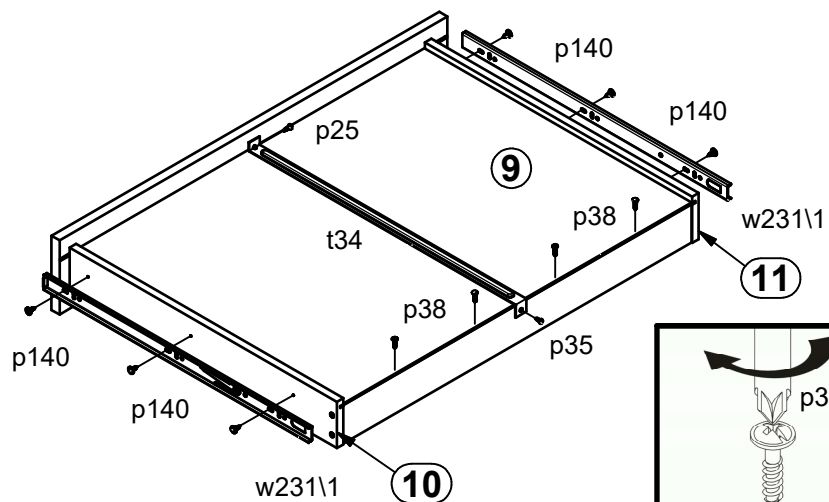
4



5



6



7

