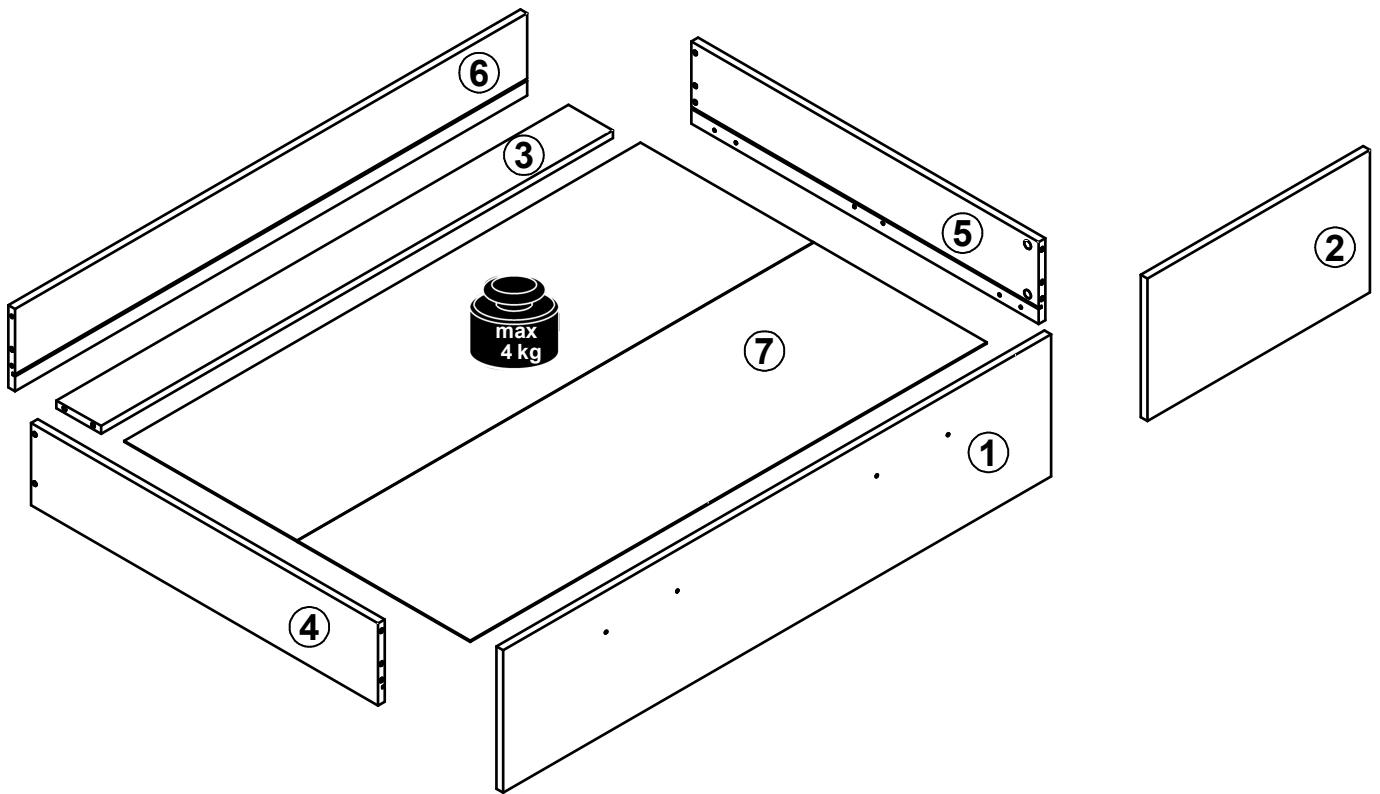
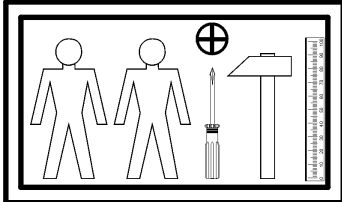
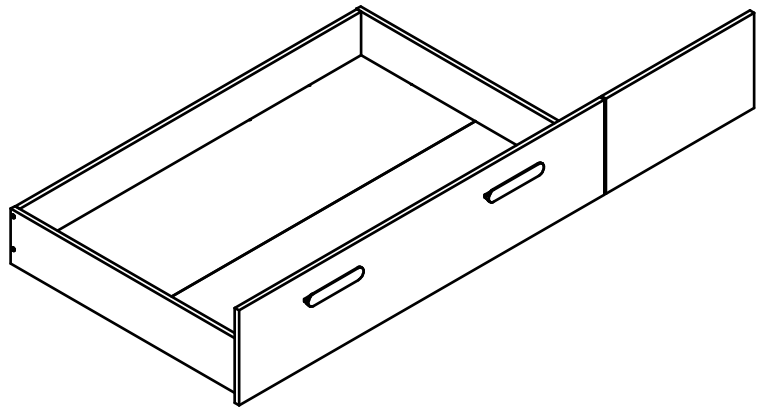
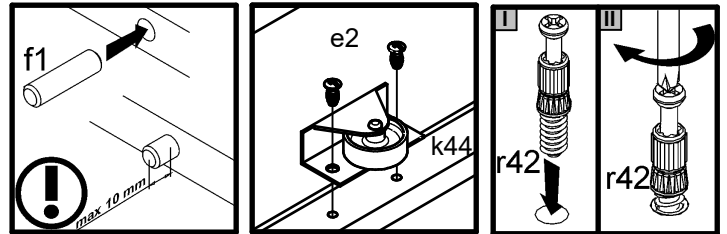
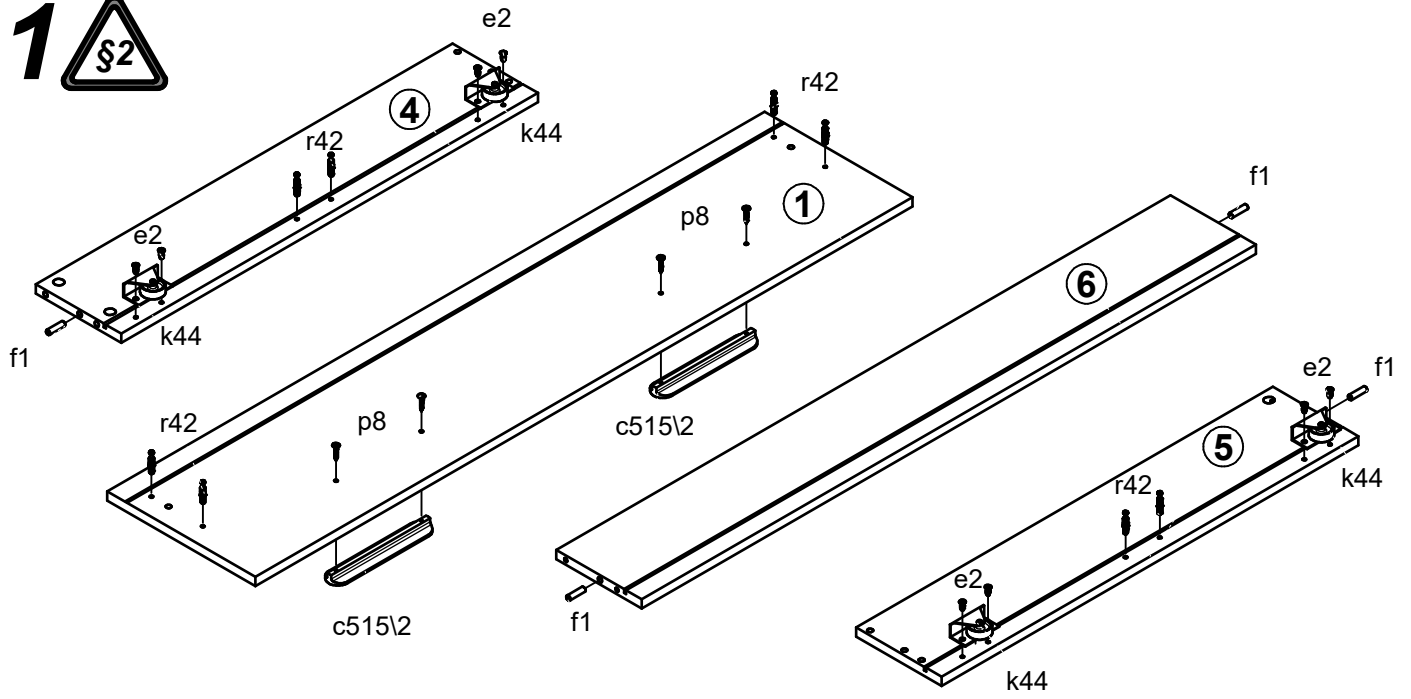


A	B	C	D
1	S464-0020	1230	277
2	S464-4013	500	277
3	ZZ1-4011	1150	100
4	ZZ1-5001	780	160
5	ZZ1-5002	780	160
6	ZZ1-5020	1150	160
7	ZZ1-9312	1160	777

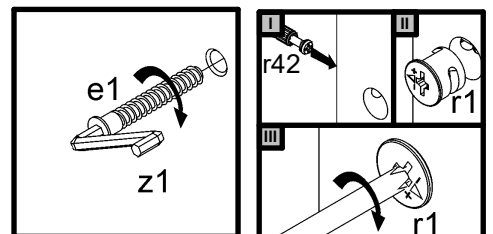
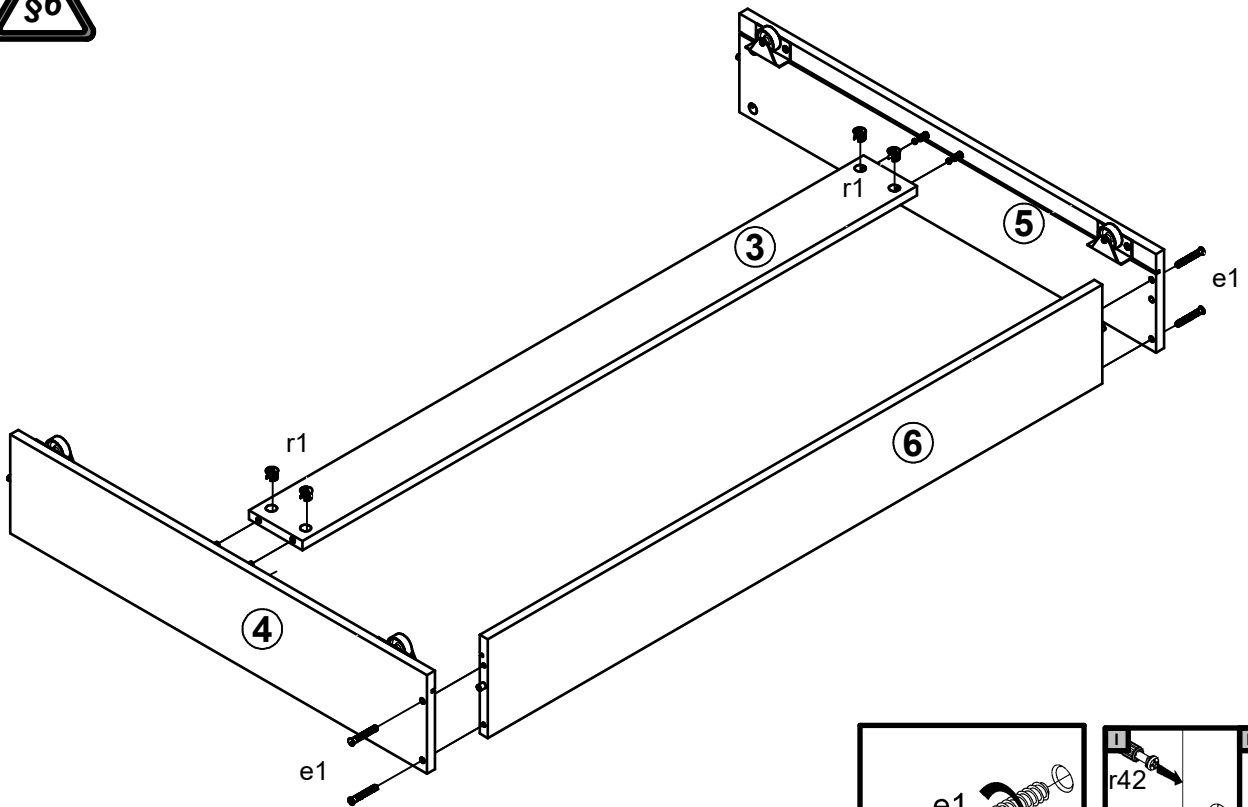


2x 160mm c515l2	4x Ø7x50 mm e1	8x Ø6.3x13 mm e2	4x Ø8x30 mm f1	4x Ø35 mm k44	14x l2	1x 25x25x16.5 mm n110	2x Ø3.5x12 mm p140	3x Ø4x30 mm p21
4x Ø4x25 mm p8	8x Ø15x12 mm #16 r1	8x 20/11 r42	4x Ø20mm s68	1x 4 mm z1				

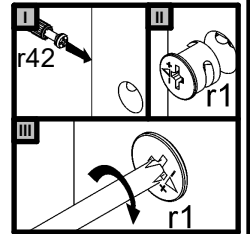
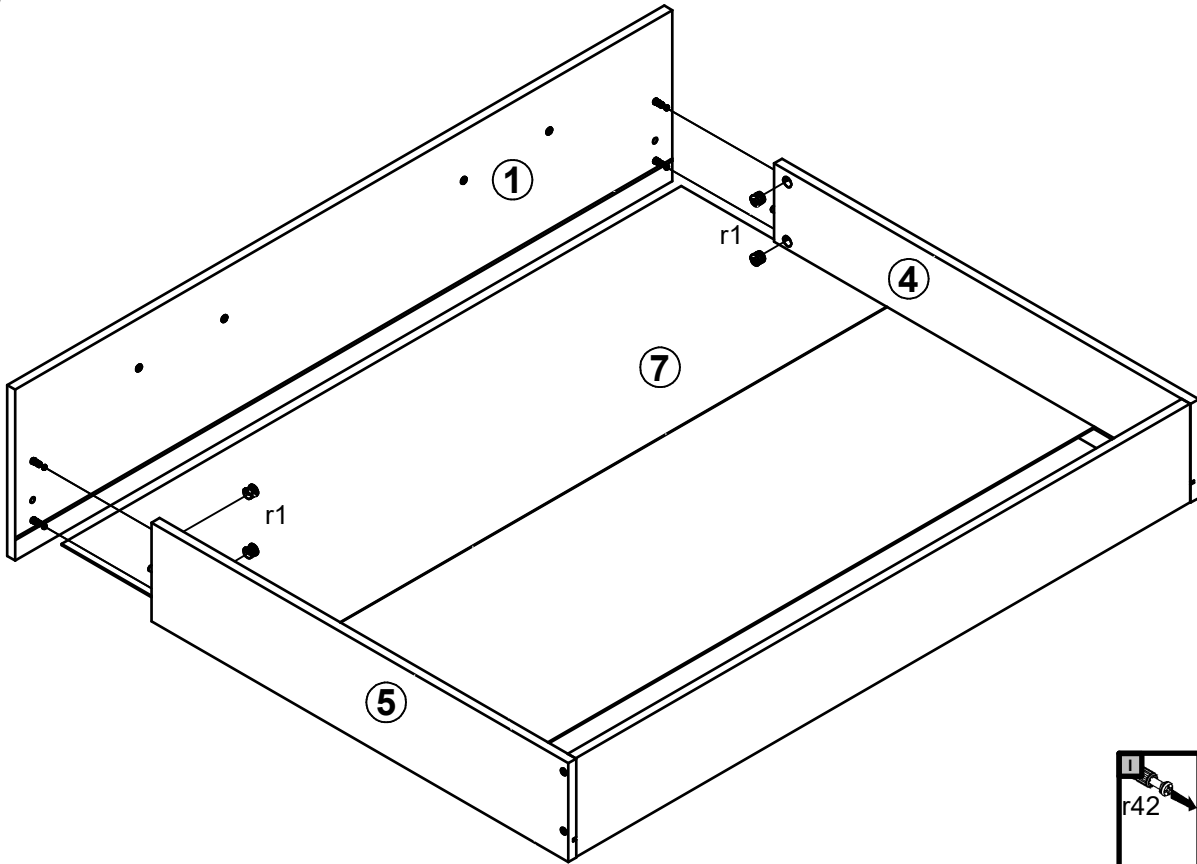
1



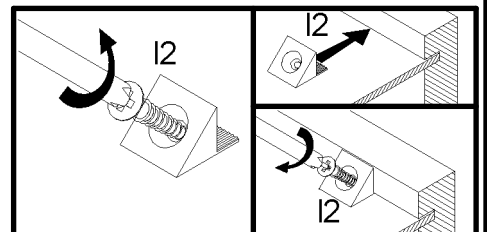
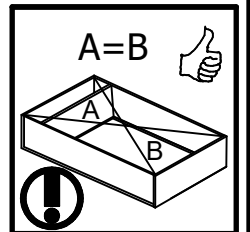
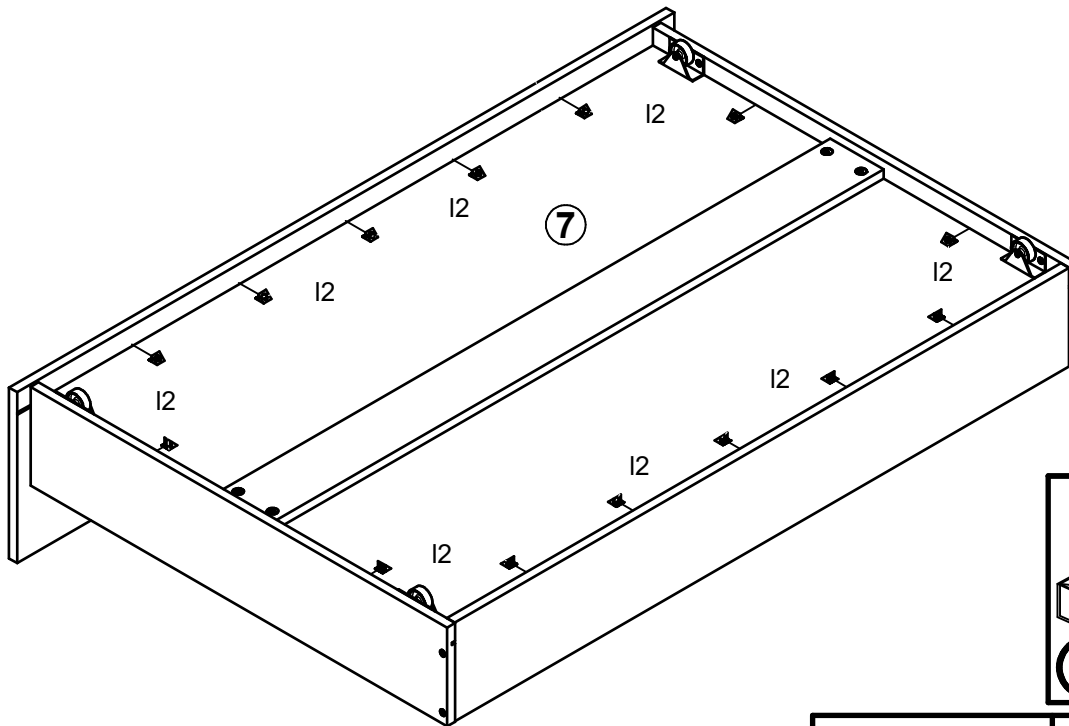
2



3



4



5

