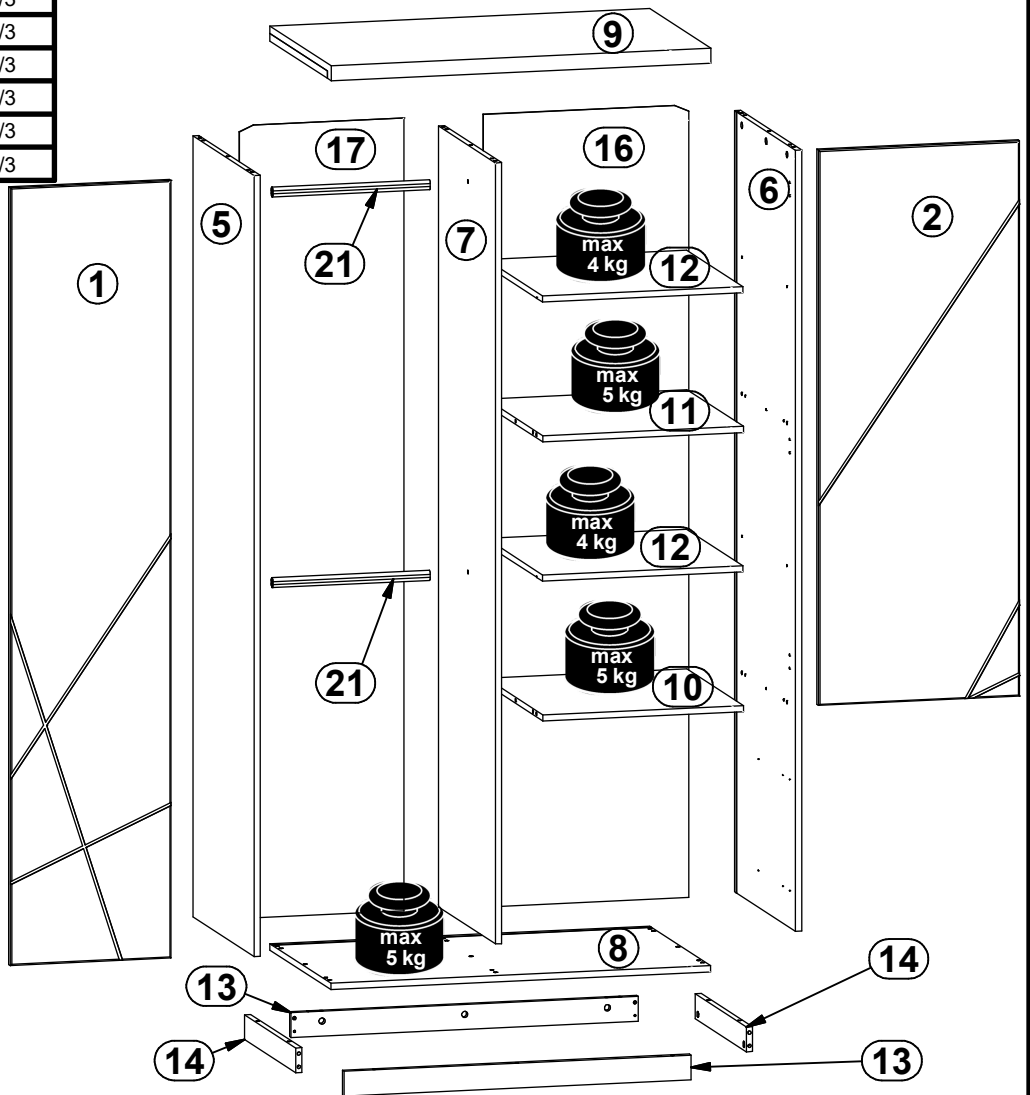
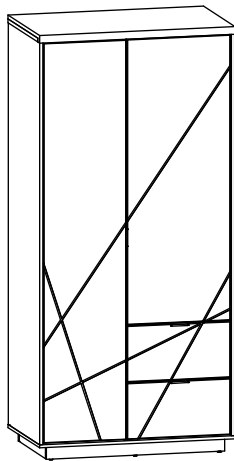
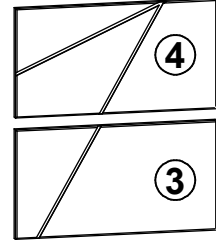
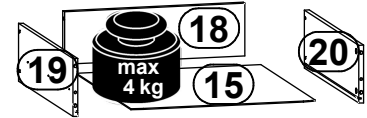
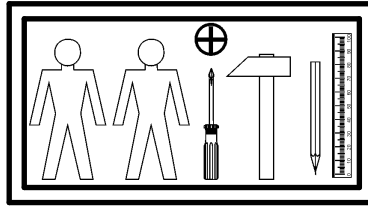
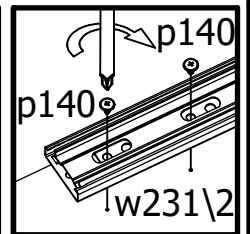
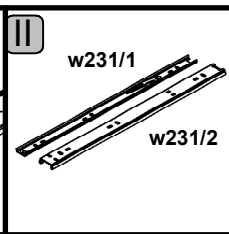
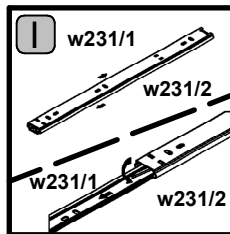
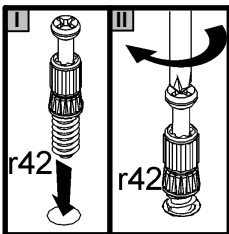
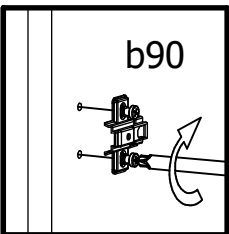
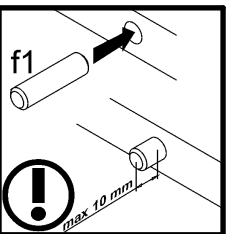
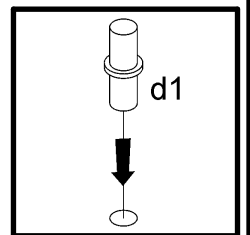
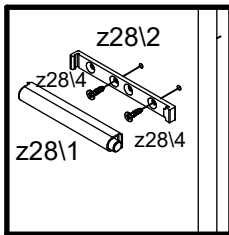
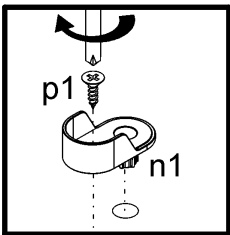
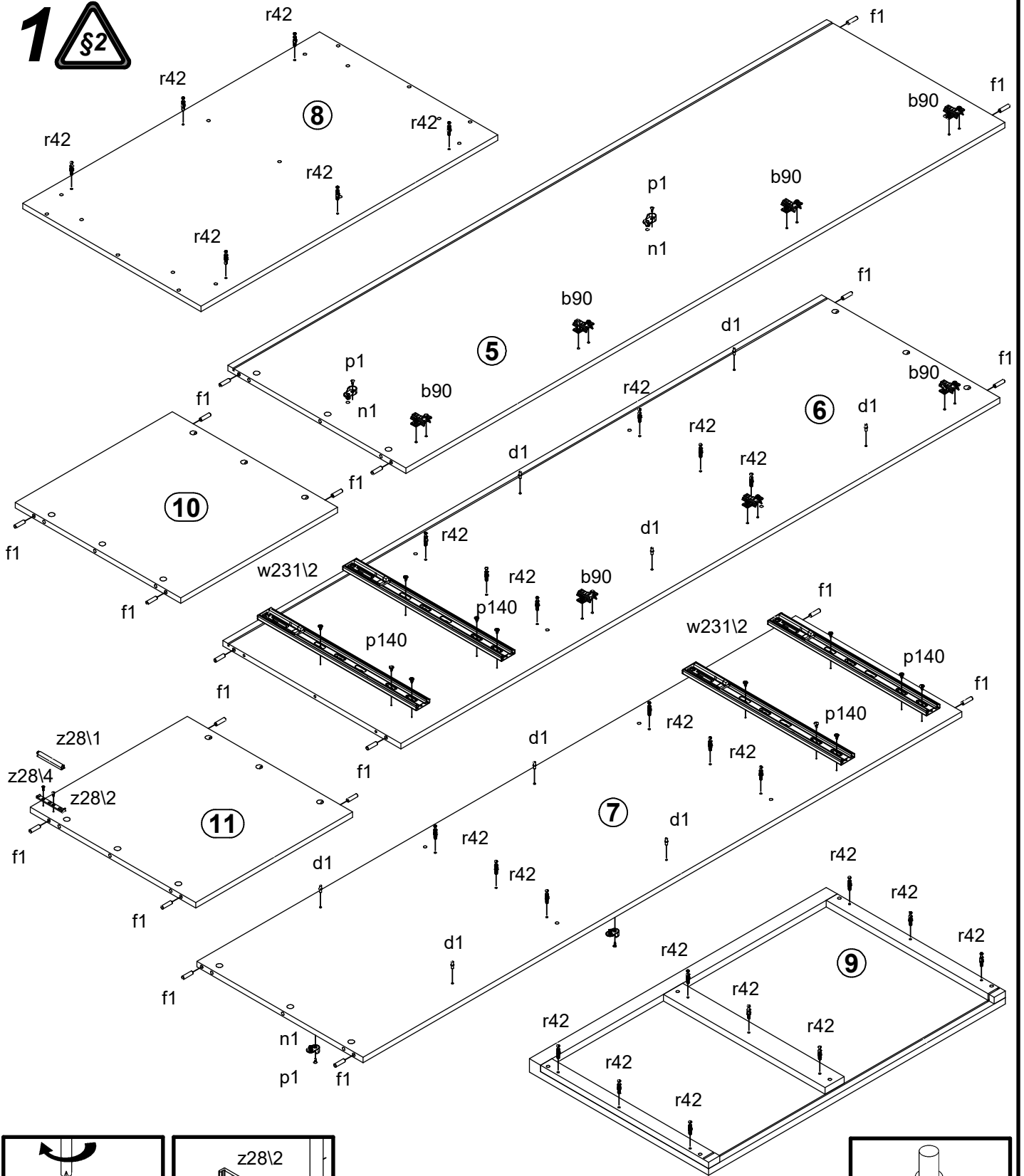


A	B	C	D	
1	S471-0015	1881	396	3/3
2	S471-0016	1343	496	3/3
3	S471-0017	496	265	3/3
4	S471-0018	496	265	3/3
5	S471-1014	1889	562	1/3
6	S471-1015	1889	562	1/3
7	S471-1016	1889	524	1/3
8	S471-2011	936	562	2/3
9	S471-2012	936	565	2/3
10	S471-3009	495	522	2/3
11	S471-3010	495	522	2/3
12	S471-3011	494	518	2/3
13	S471-4003	856	60	2/3
14	S471-4006	472	60	2/3
15	S471-9006	455	507	2/3
16	S471-9007	1917	507	3/3
17	S471-9008	1917	406	3/3
18	ZK3-5122	445	127	2/3
19	ZK4-519	500	140	2/3
20	ZK4-520	500	140	2/3
21	dr-388	388	22	2/3

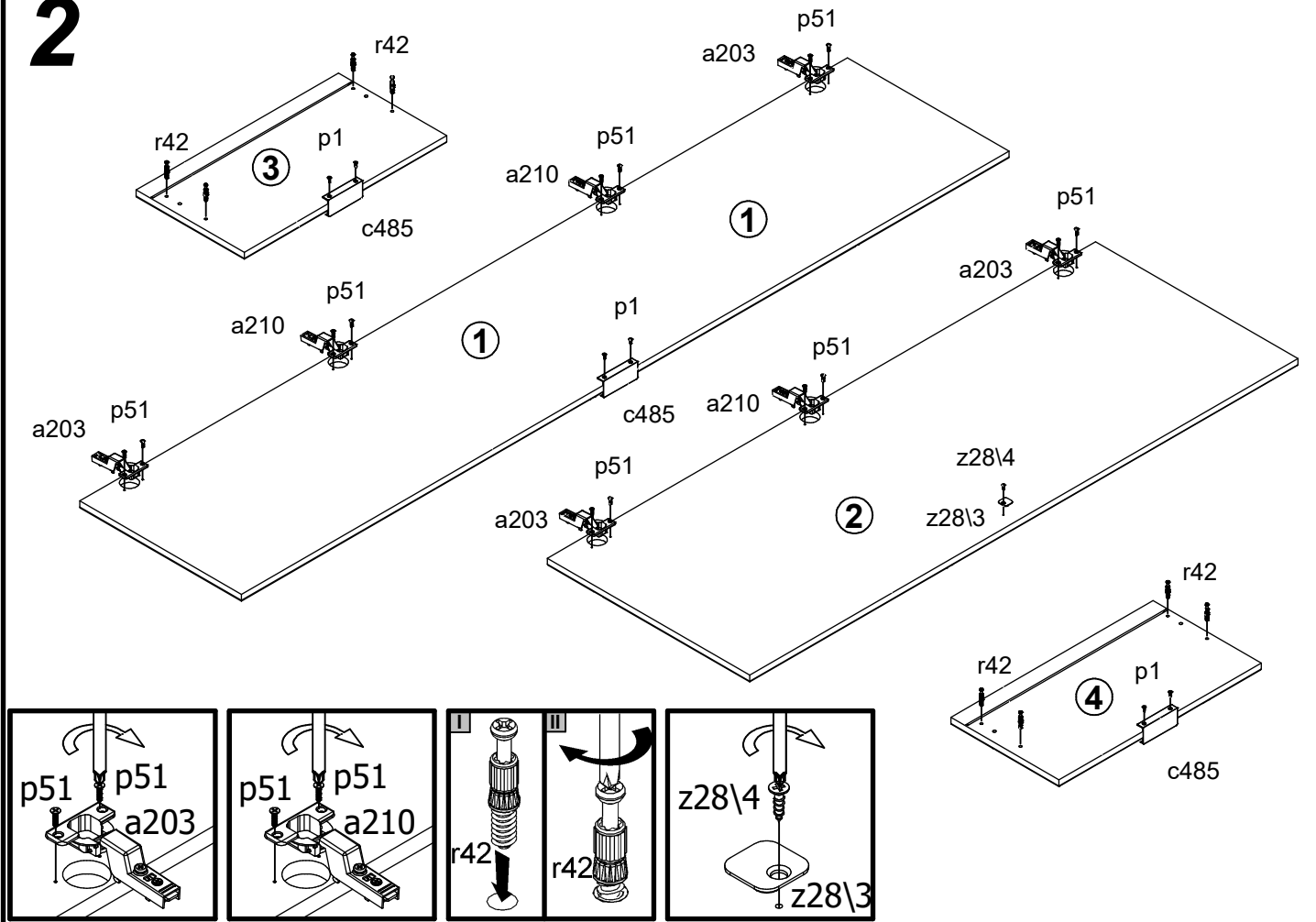


4x a203	3x a210	7x b90	3x c485	8x d1	9x e1	32x f1	8x f25	4x f9
6x k1	14x l2	4x n1	9x n108	10x p1	7x p38	14x p51	12x p55	24x p140
31x r1	8x r15	39x r42	4x w231\1	4x w231\2	1x z28\1	1x z28\2	1x z28\3	3x z28\4
9x s68	1x z1	1x n26\1						

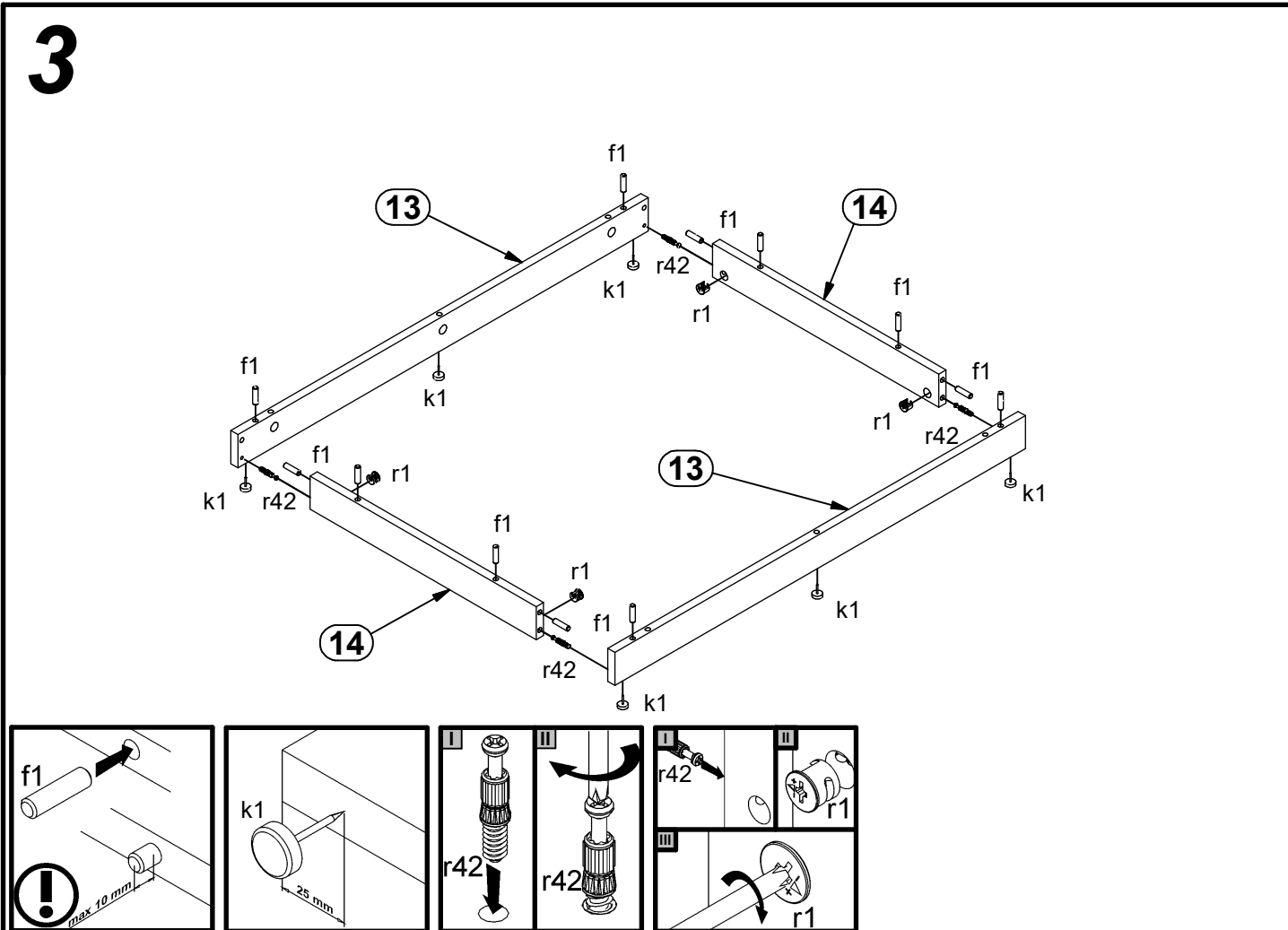
1 



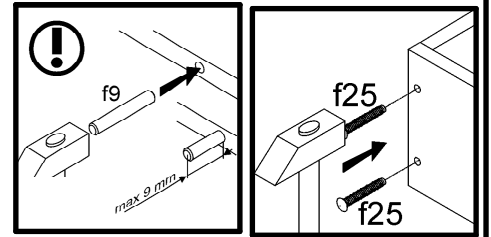
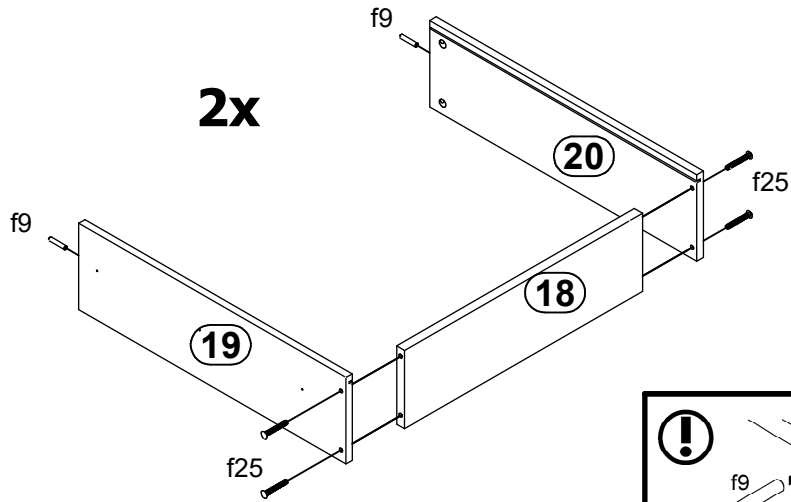
2



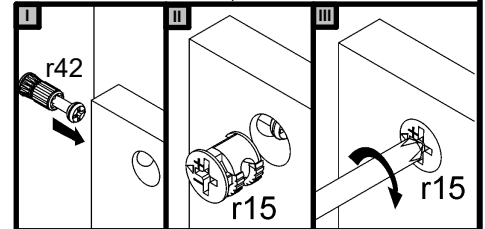
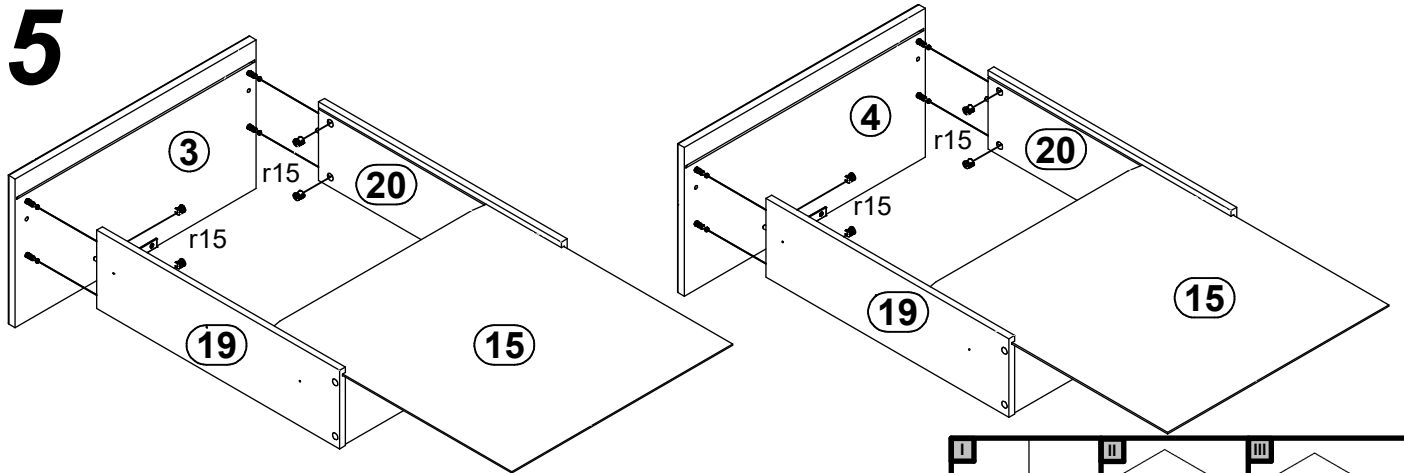
3



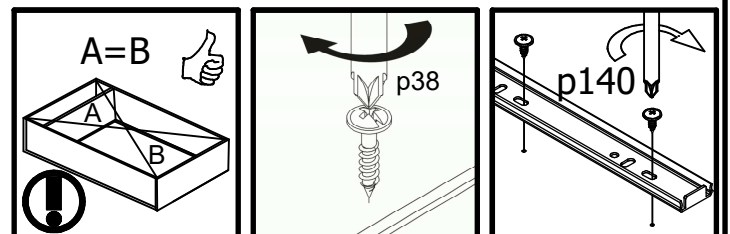
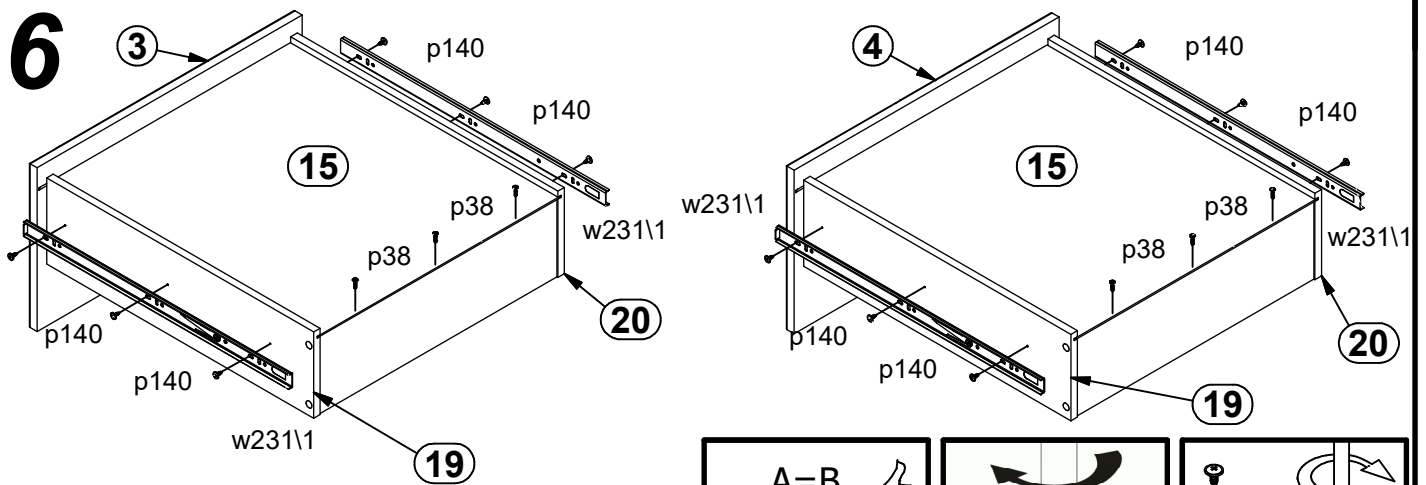
4



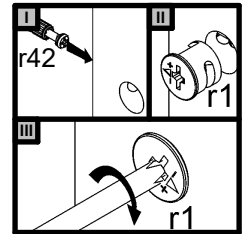
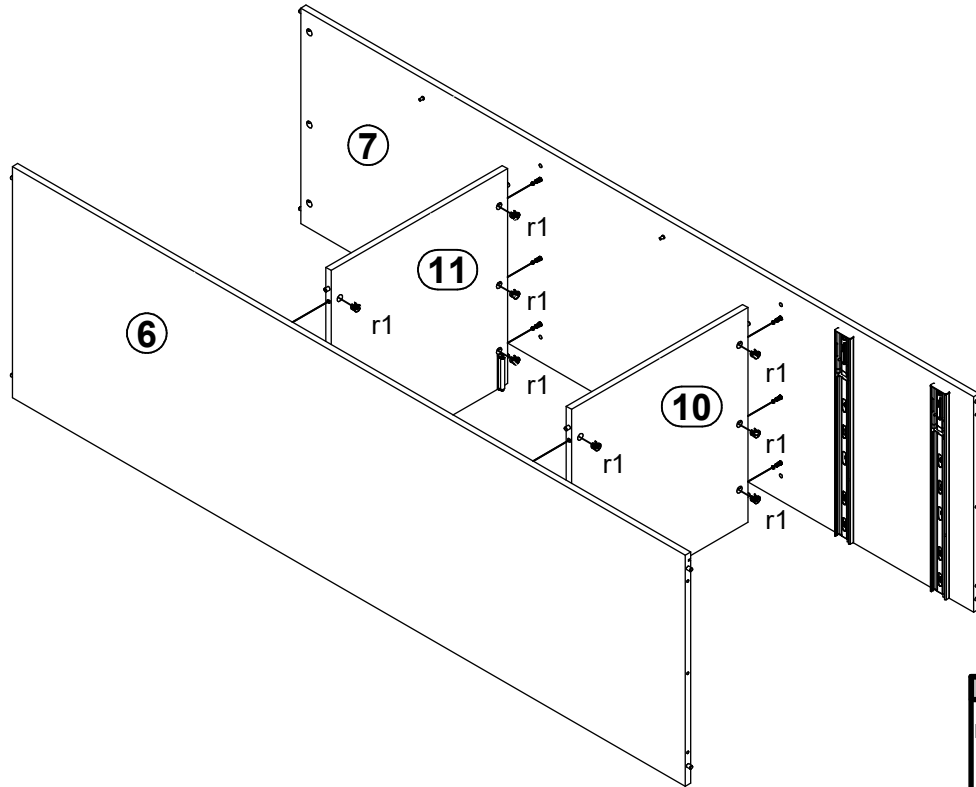
5



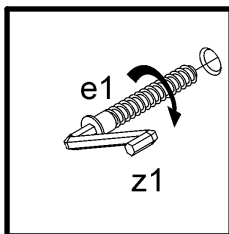
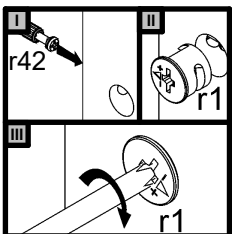
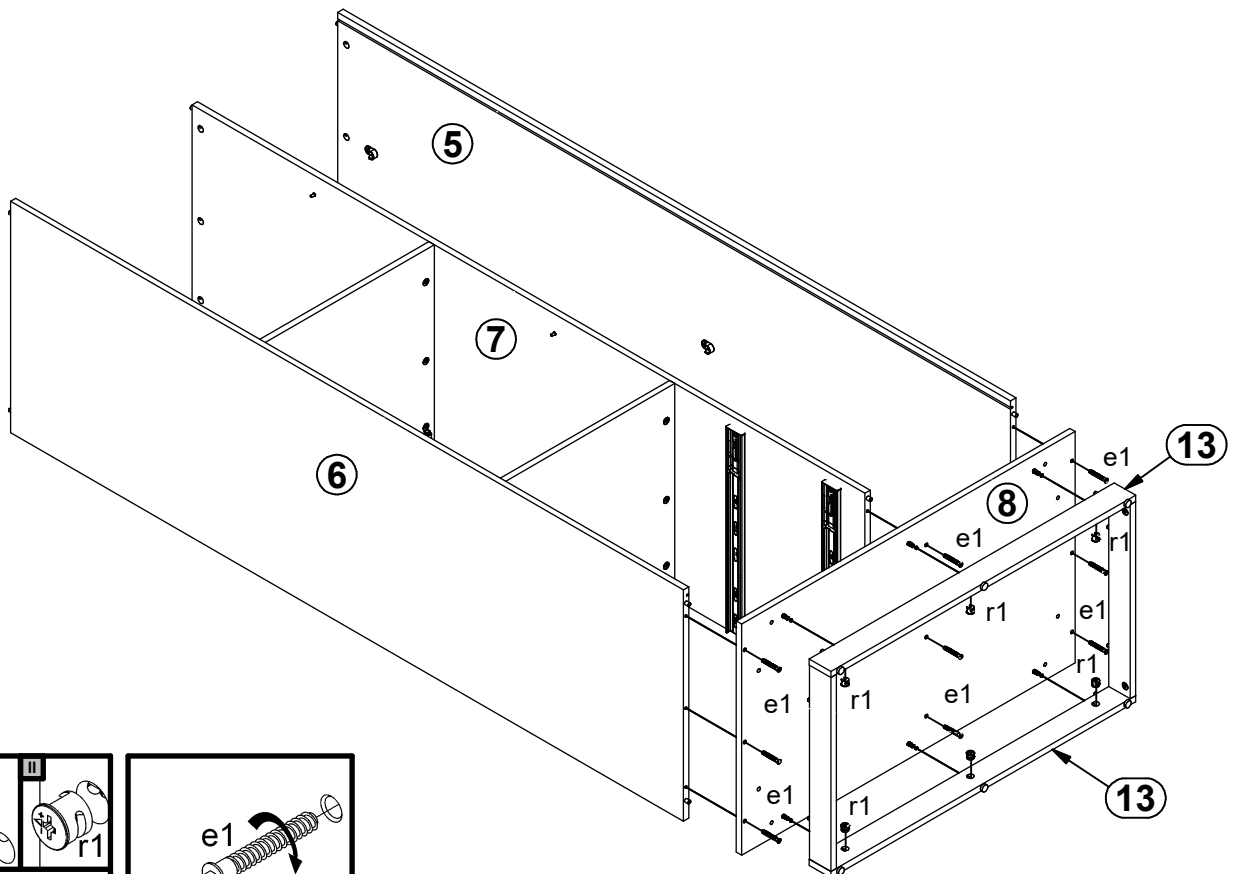
6



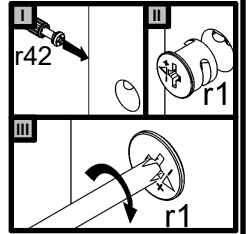
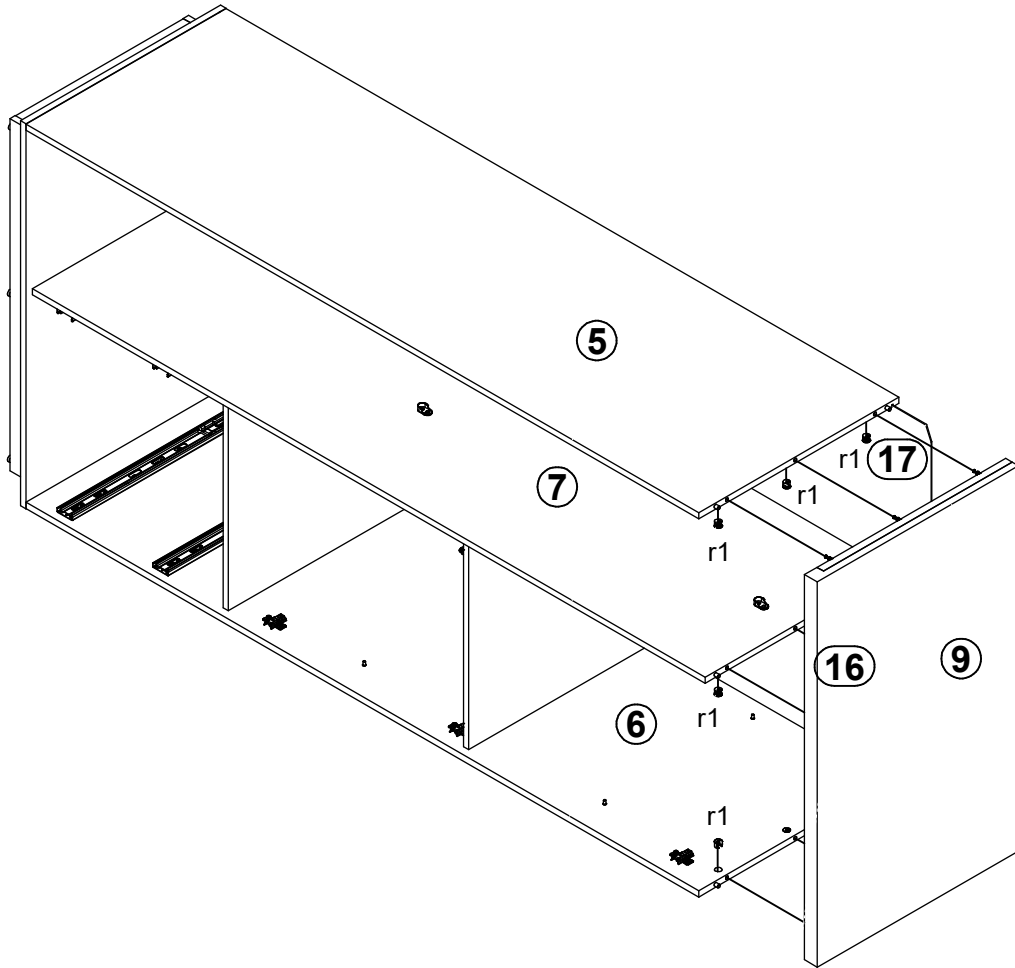
7



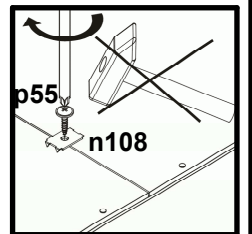
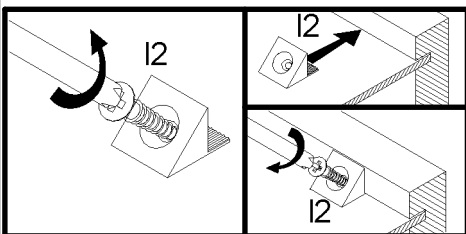
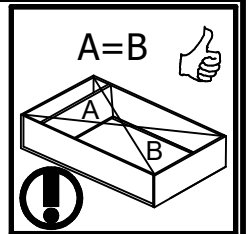
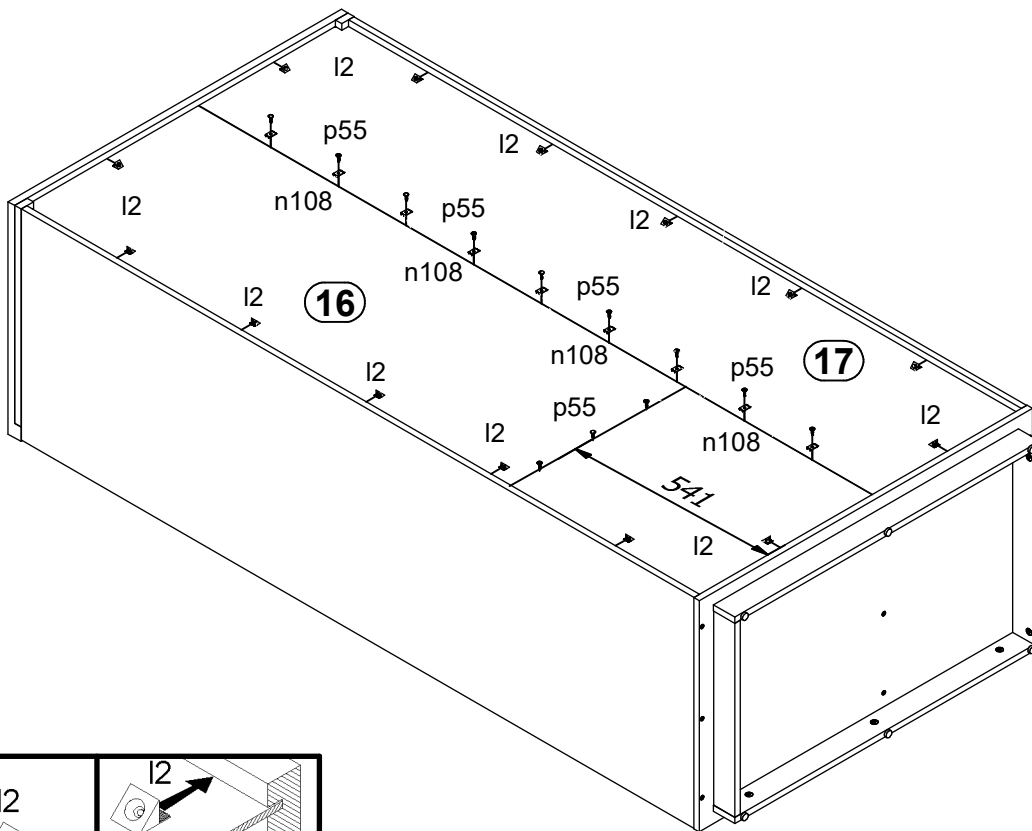
8



9



10



11

