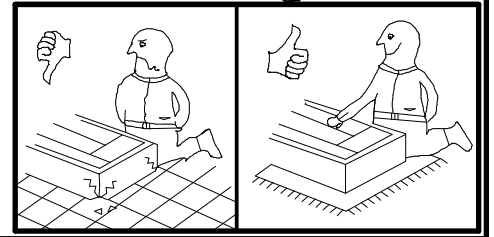
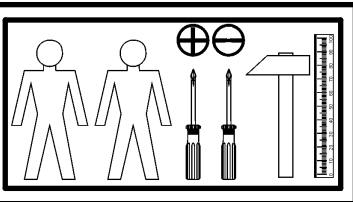
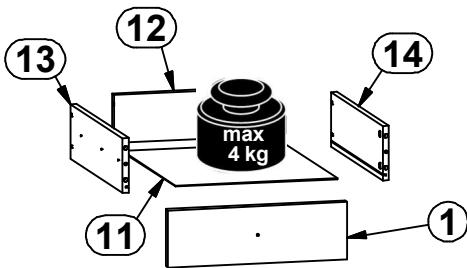
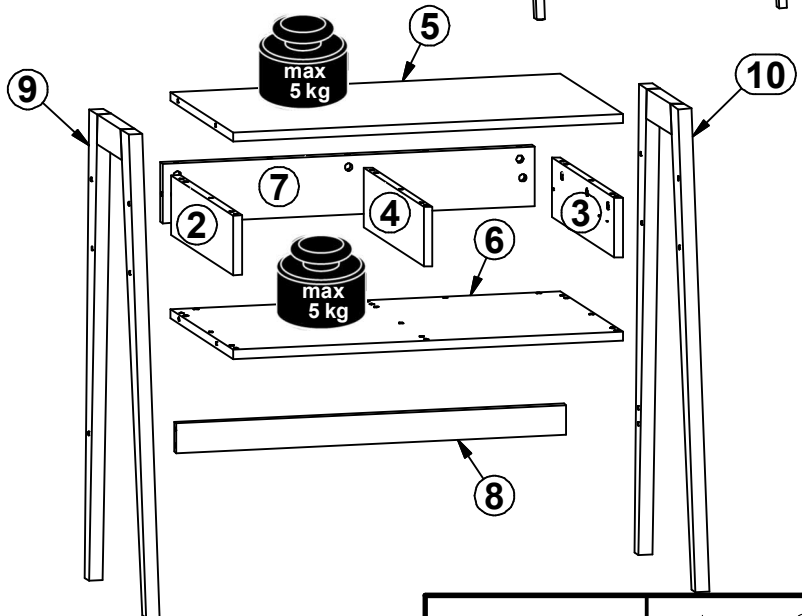
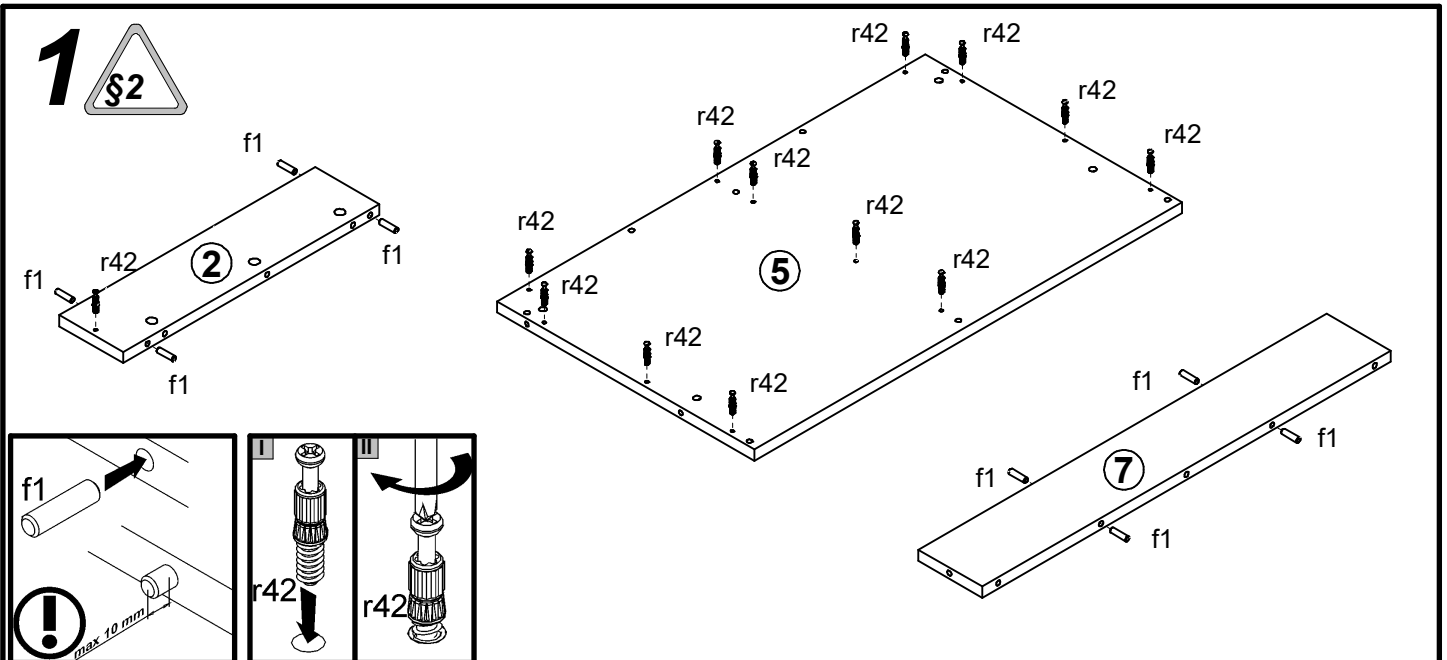


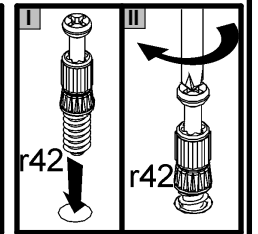
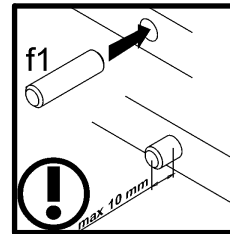
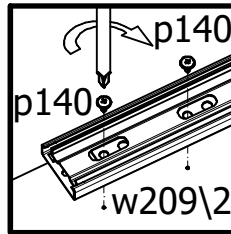
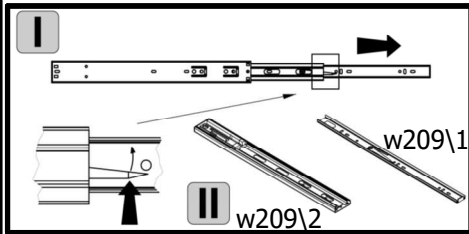
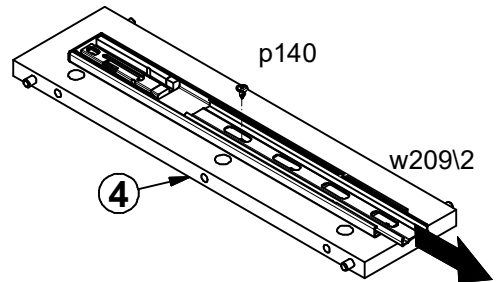
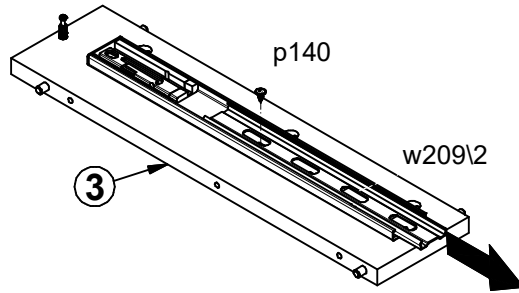
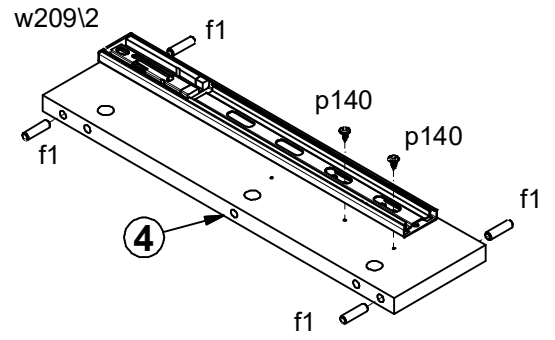
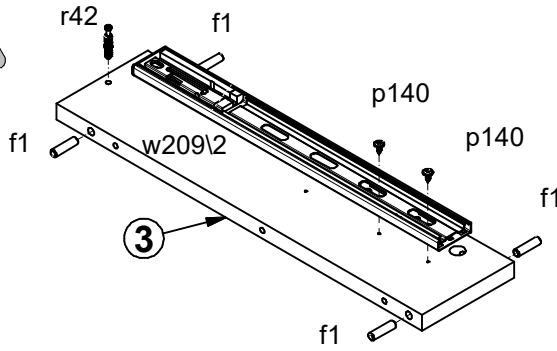
A	B	C	D	
1	B09-0001	368	115	1/1
2	B09-1001	120	479	1/1
3	B09-1002	120	479	1/1
4	B09-1003	120	460	1/1
5	B09-2001	801	480	1/1
6	B09-2002	801	480	1/1
7	B09-4001	764	120	1/1
8	B09-4002	801	60	1/1
9	B09-5001	950	467	1/1
10	B09-5002	950	467	1/1
11	B09-9001	407	333	1/1
12	ZK3-5076	323	97	1/1
13	ZK4-525	400	110	1/1
14	ZK4-526	400	110	1/1



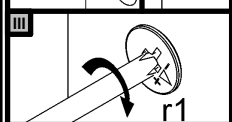
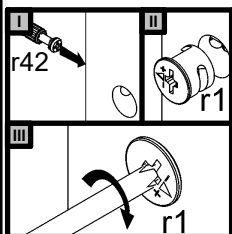
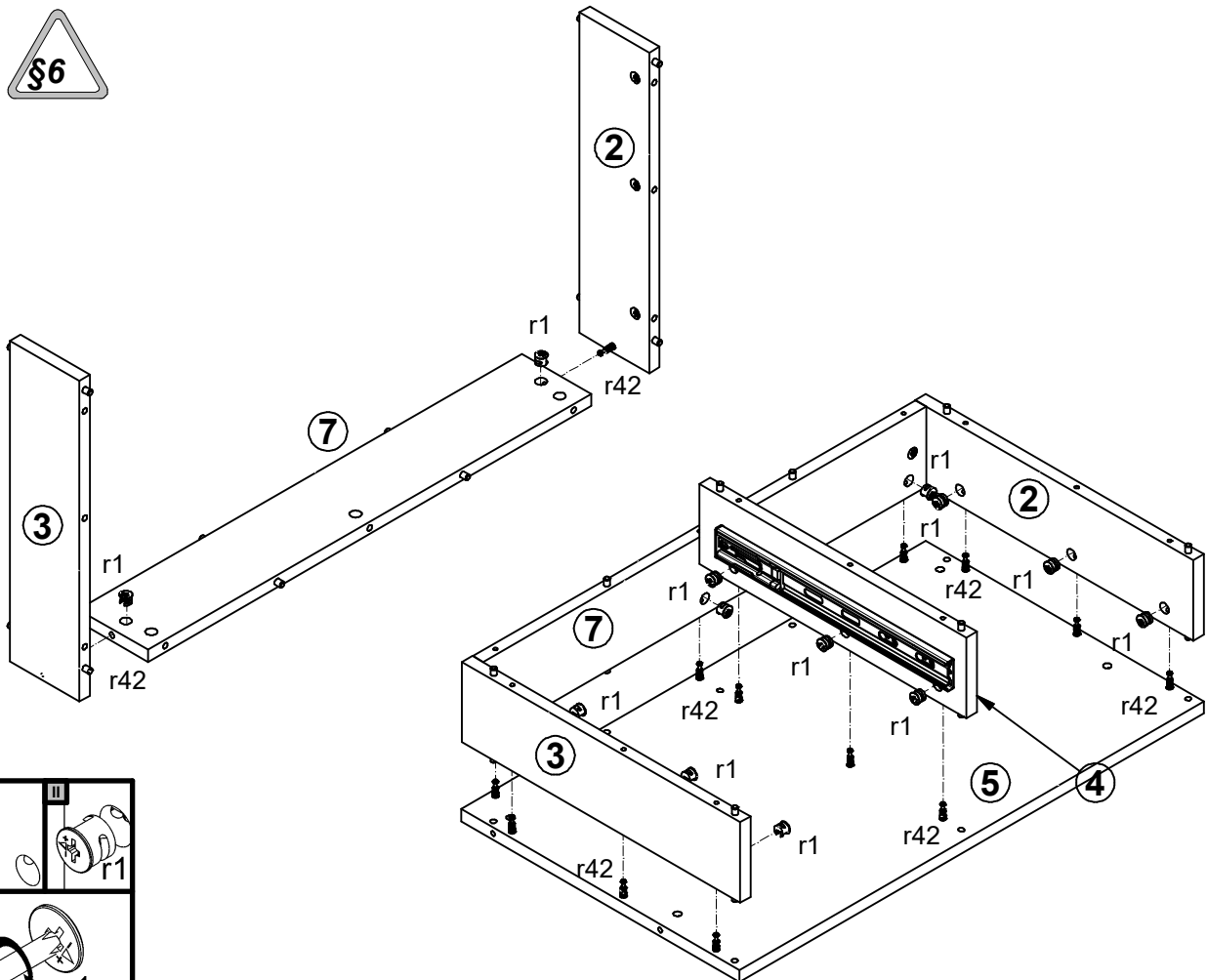
1x c513	12x Ø7x50 mm e1	18x Ø8x30 mm f1	2x Ø6x30 mm f9	4x Ø6,5x40 mm f25	1x M4x22 mm j30	10x M6x70 mm j171	4x Ø20x3mm k103	3x Ø3,5x16 mm p38
12x Ø3,5x12 mm p140	14x Ø15x12 mm #16 r1	10x Ø10x13 mm r5v1	4x Ø12x10,5 mm #12 r15	18x 20/11 r42	5x Ø 20mm s68	2x L-400 mm w209/1	2x L-400 mm w209/2	1x 4 mm z1



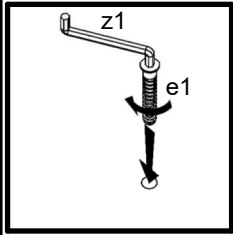
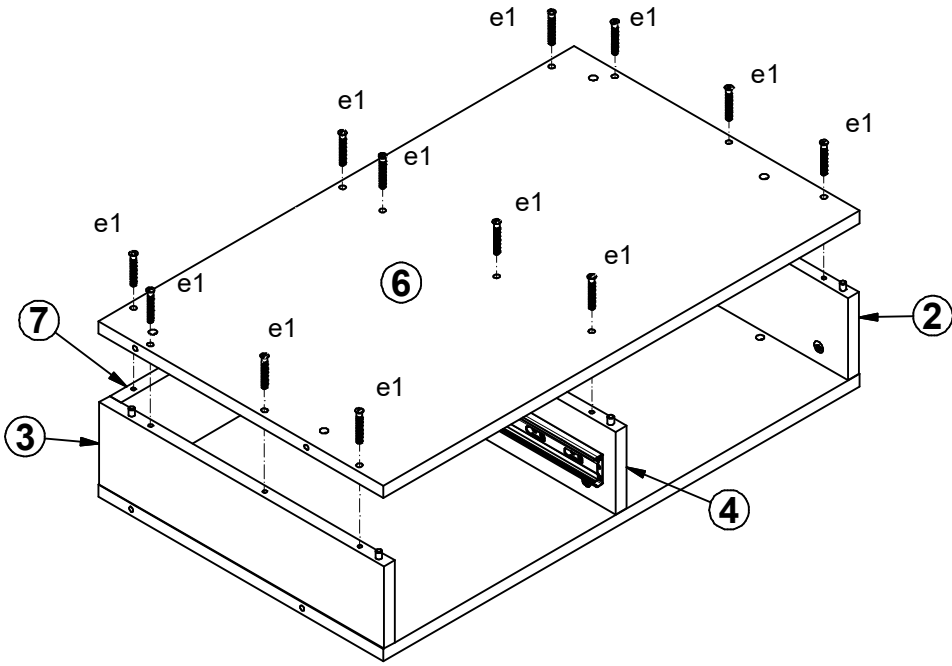
2



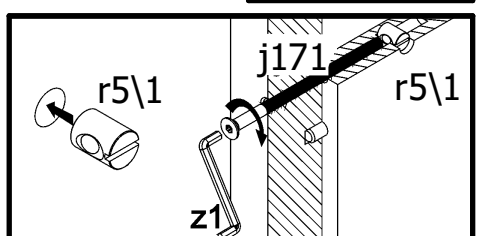
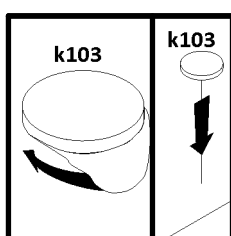
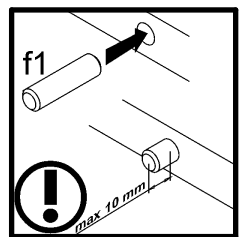
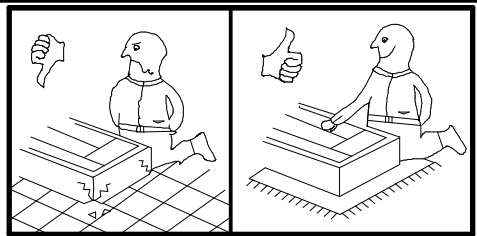
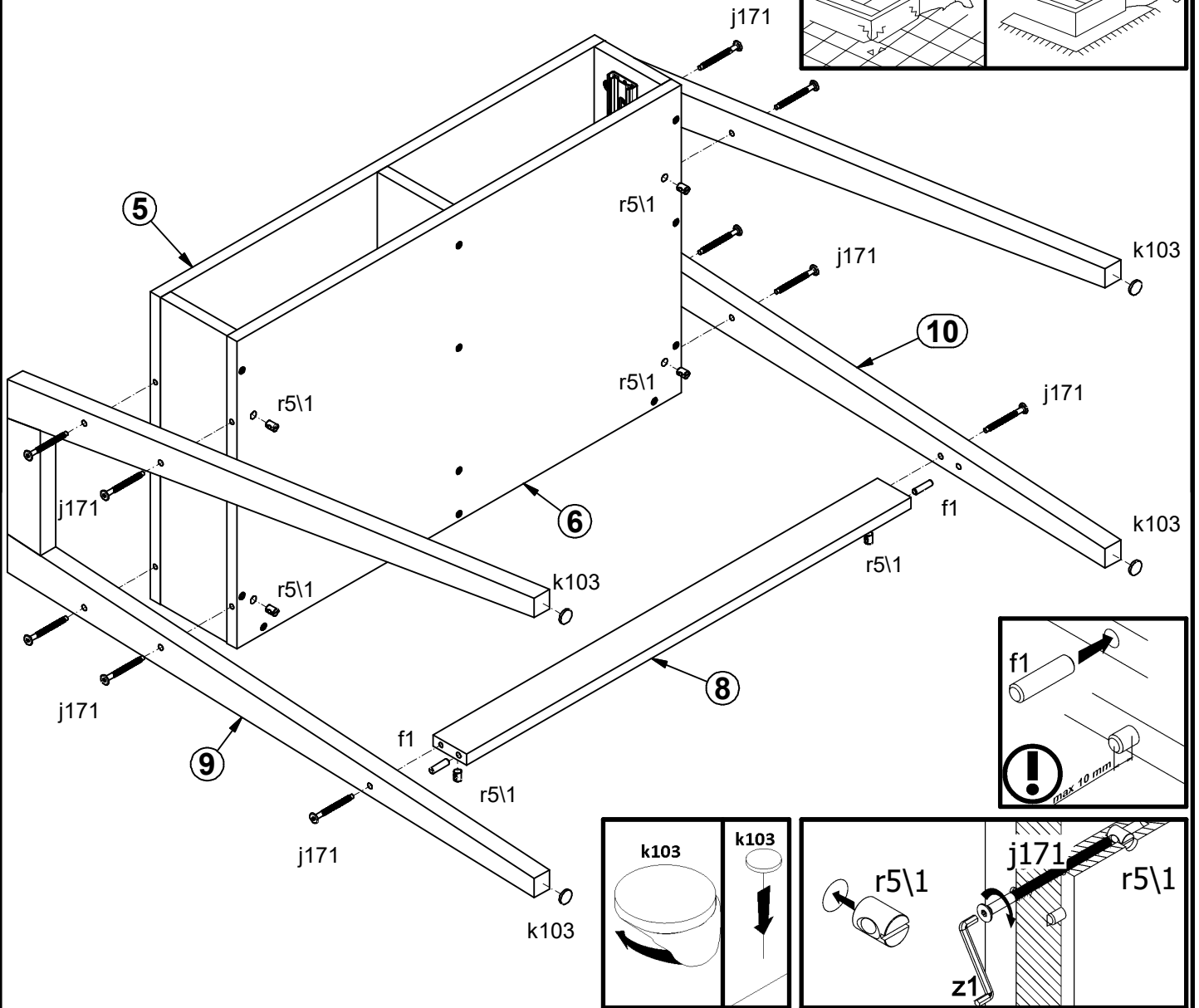
3



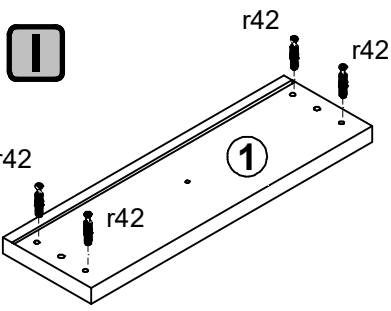
4



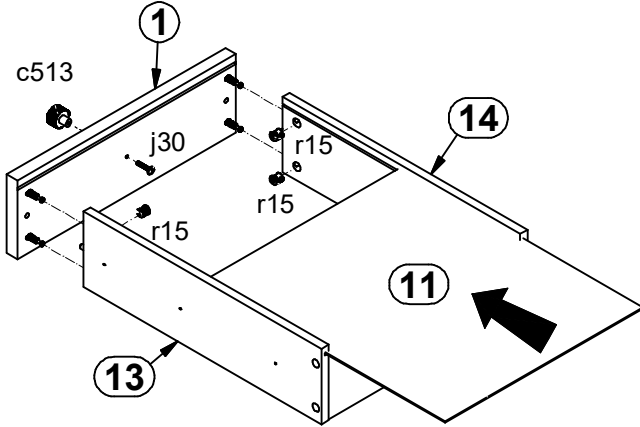
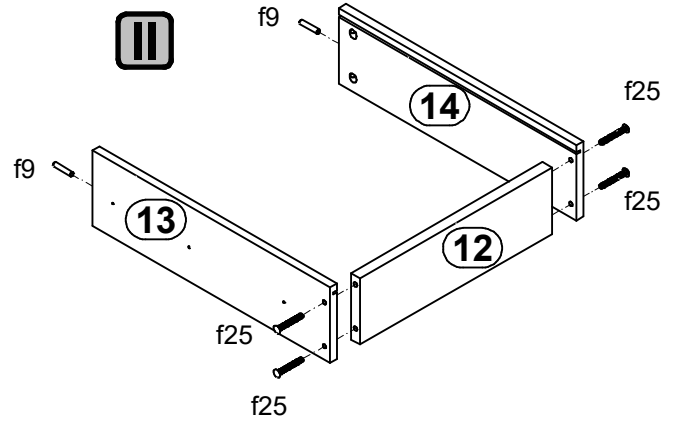
5



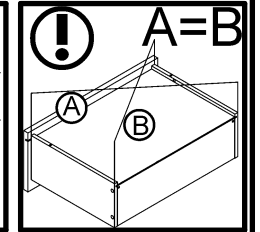
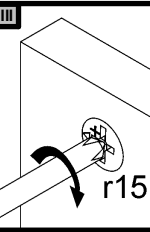
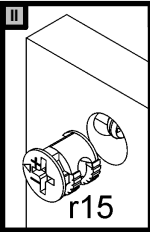
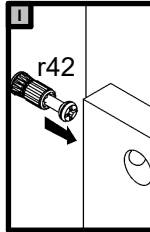
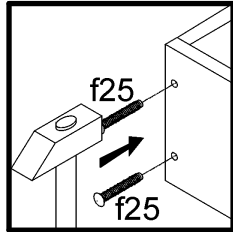
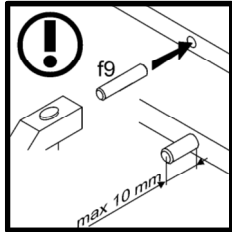
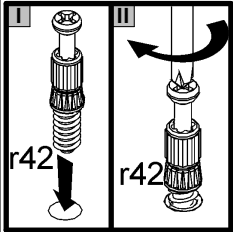
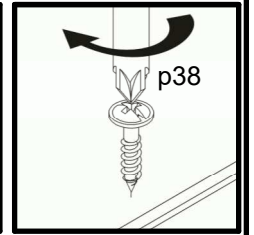
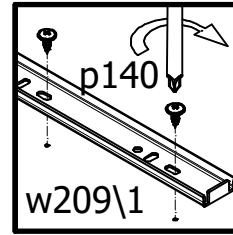
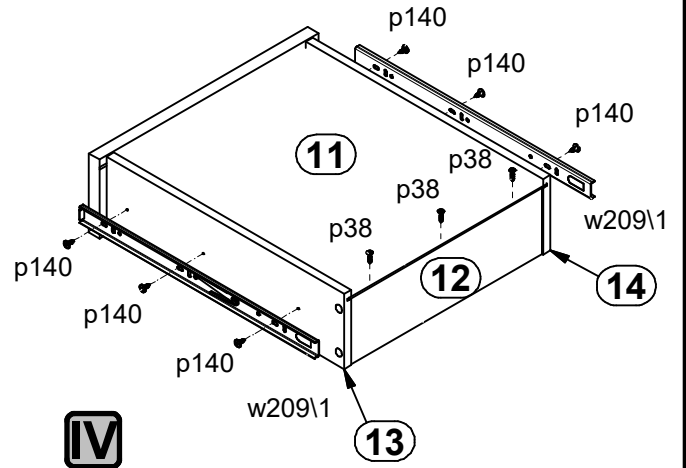
6



II



IV



7

