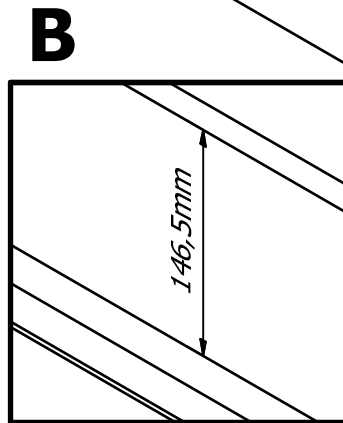
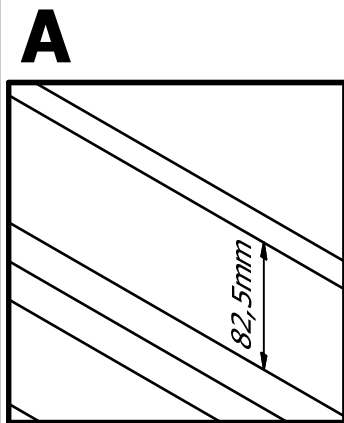
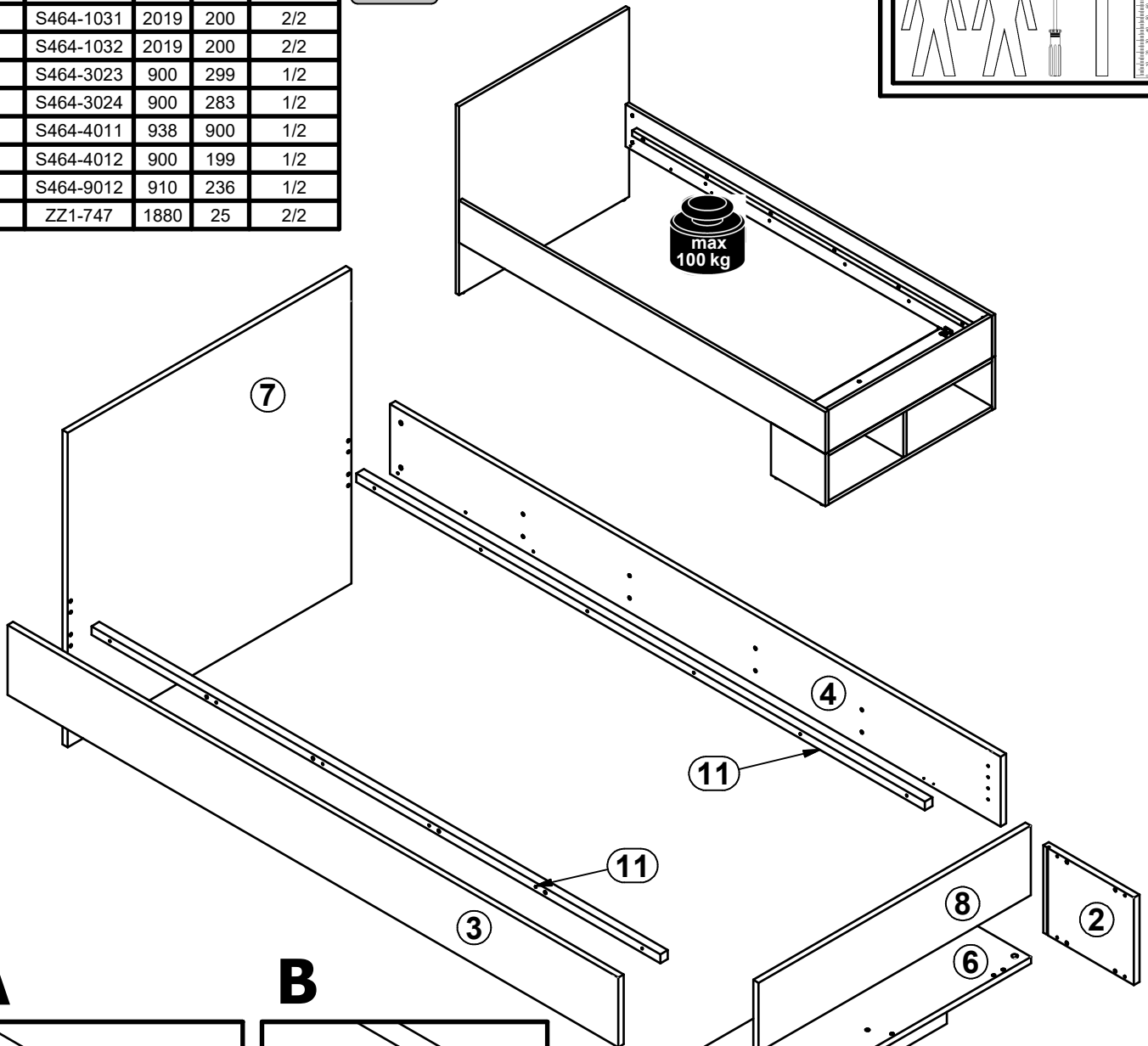
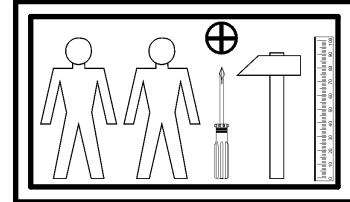


A

WESKER

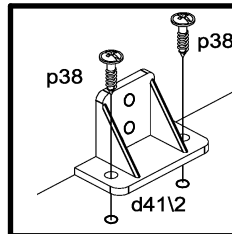
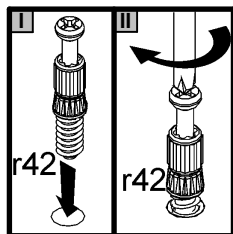
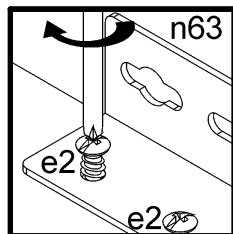
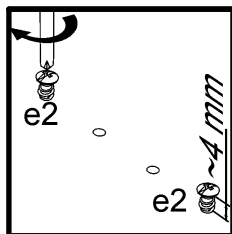
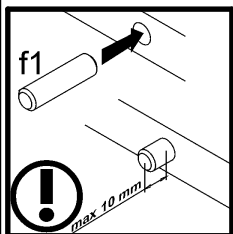
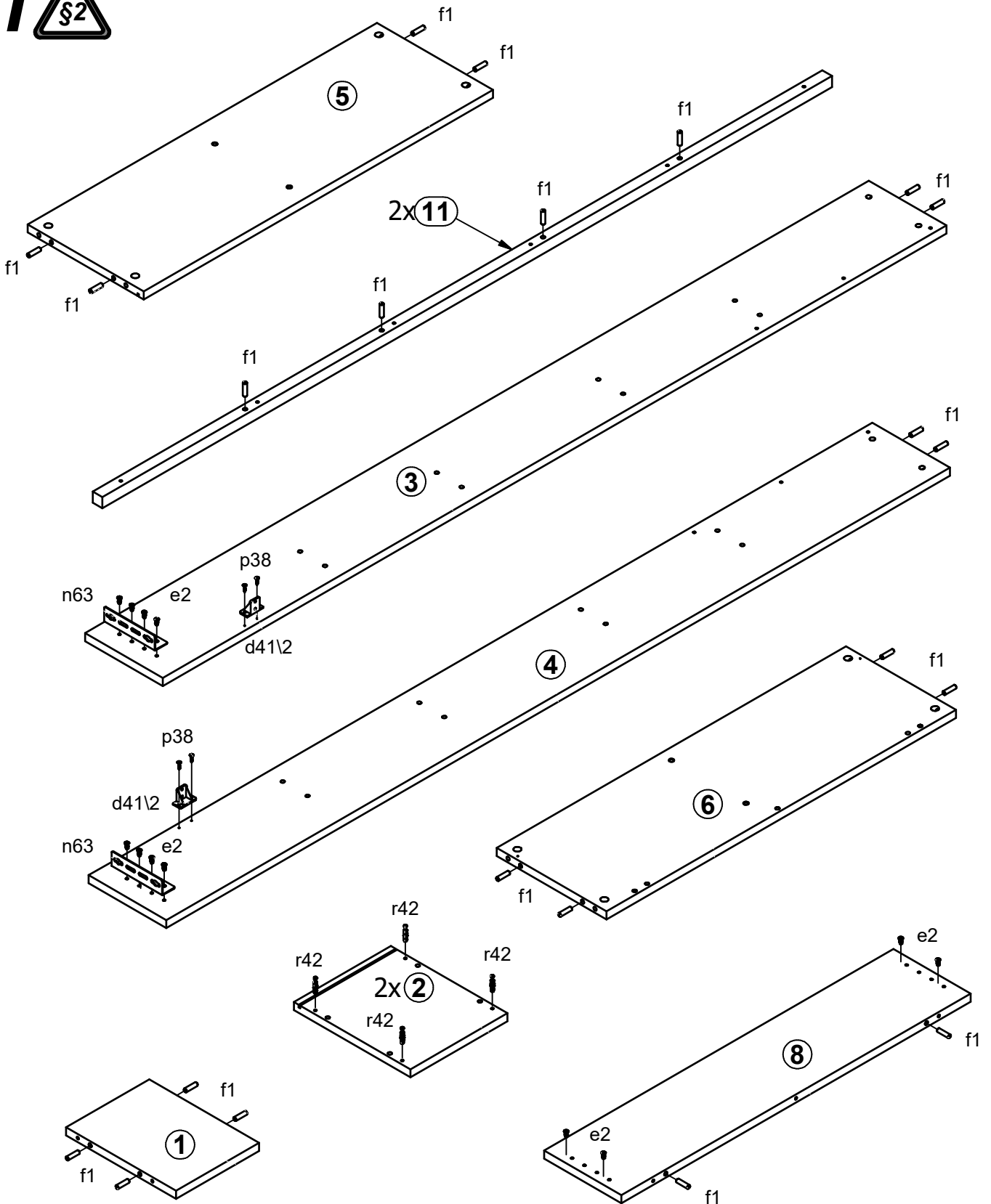
S464-LOZ/90

A	B	C	D	
1	S464-1029	214	283	1/2
2	S464-1030	300	250	1/2
3	S464-1031	2019	200	2/2
4	S464-1032	2019	200	2/2
5	S464-3023	900	299	1/2
6	S464-3024	900	283	1/2
7	S464-4011	938	900	1/2
8	S464-4012	900	199	1/2
9	S464-9012	910	236	1/2
11	ZZ1-747	1880	25	2/2

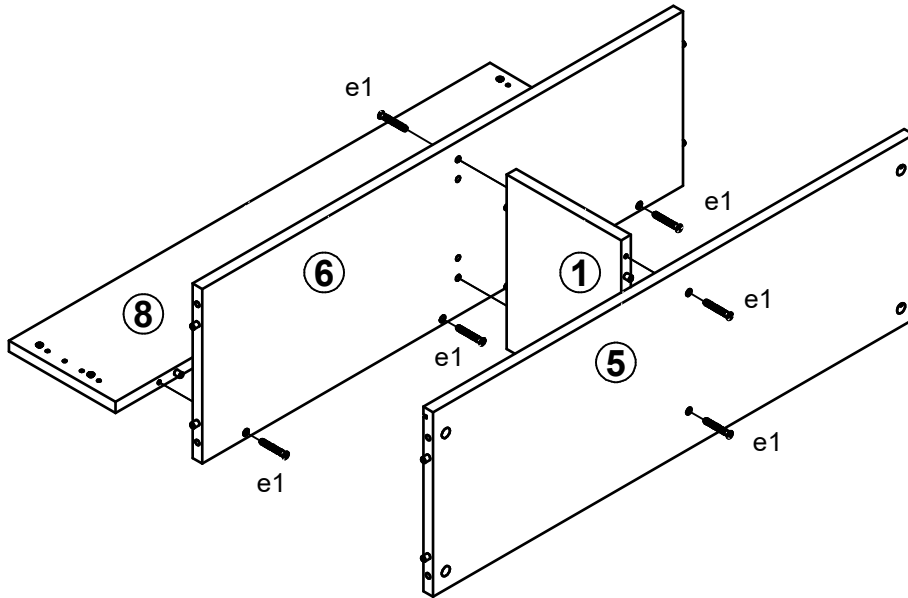


6x d412	7x Ø7x50 mm e1	16x Ø6.3x13 mm e2	26x Ø8x30 mm f1	4x M6x65 mm j132	11x k1	4x l2	2x 130x34x34/2 mm n63	12x Ø4x40 mm p10
8x Ø3.5x16 mm p38	5x Ø2.9x16 mm p55	6x Ø4x35 mm p6	8x Ø15x12 mm #16 r1	8x 20/11 r42	4x Ø10x13 mm r51	1x 4 mm z1		

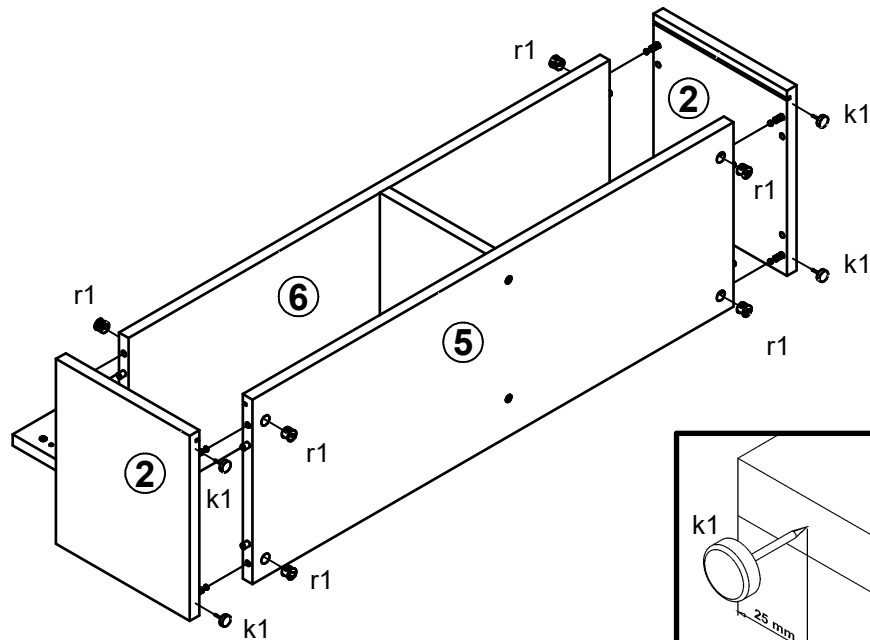
1 



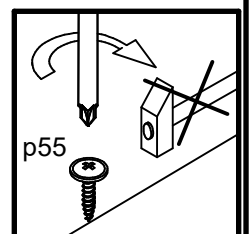
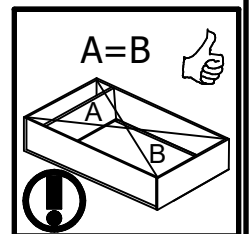
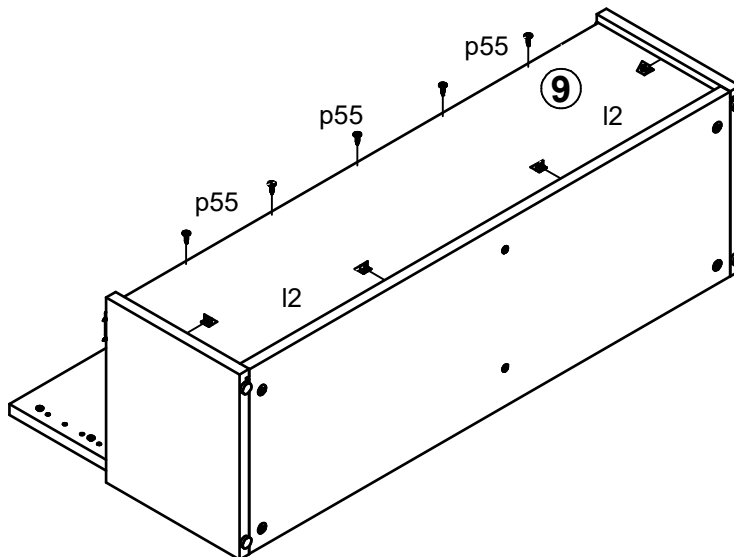
2



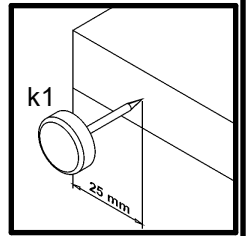
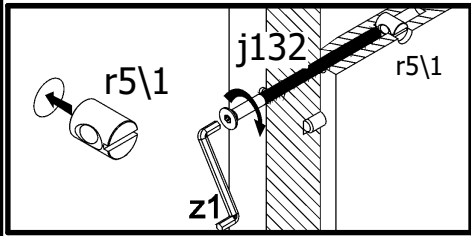
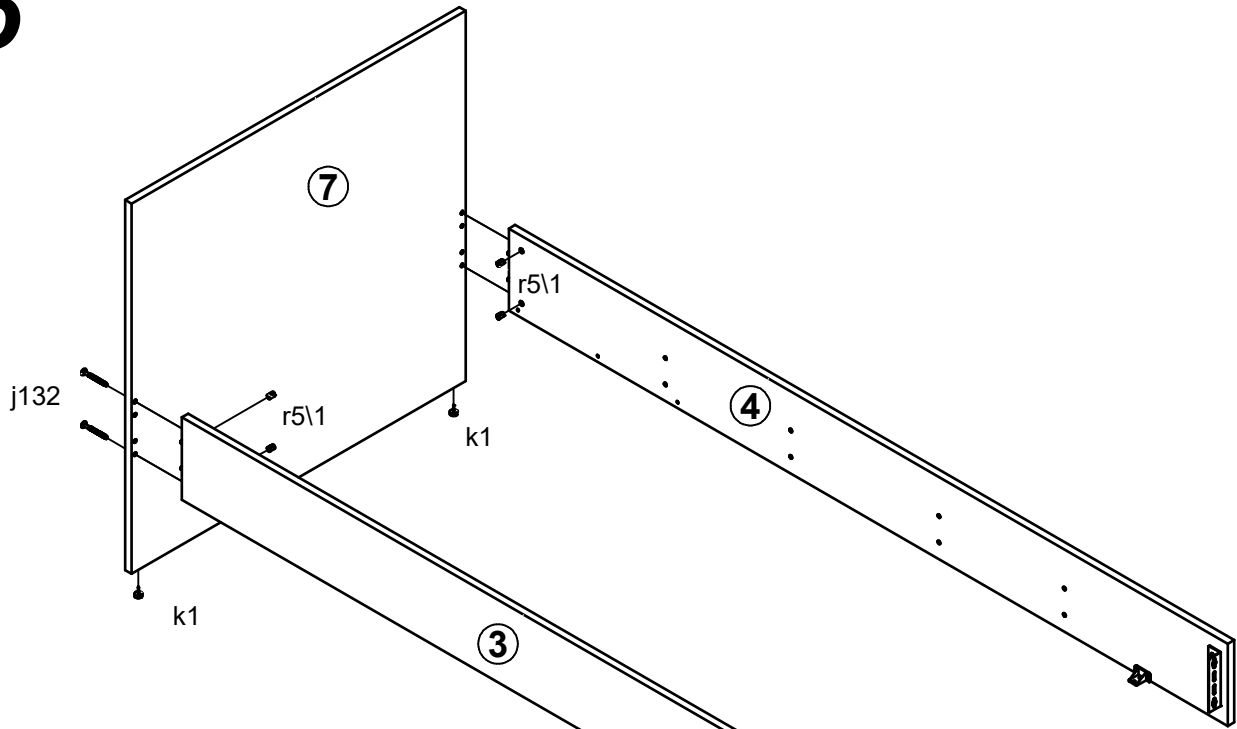
3



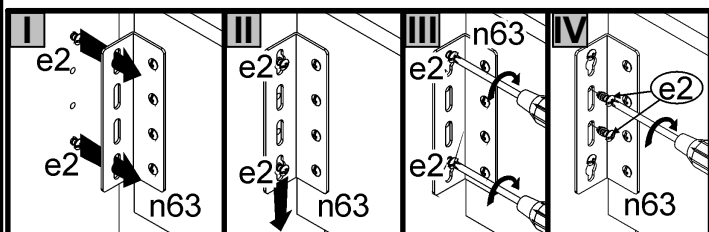
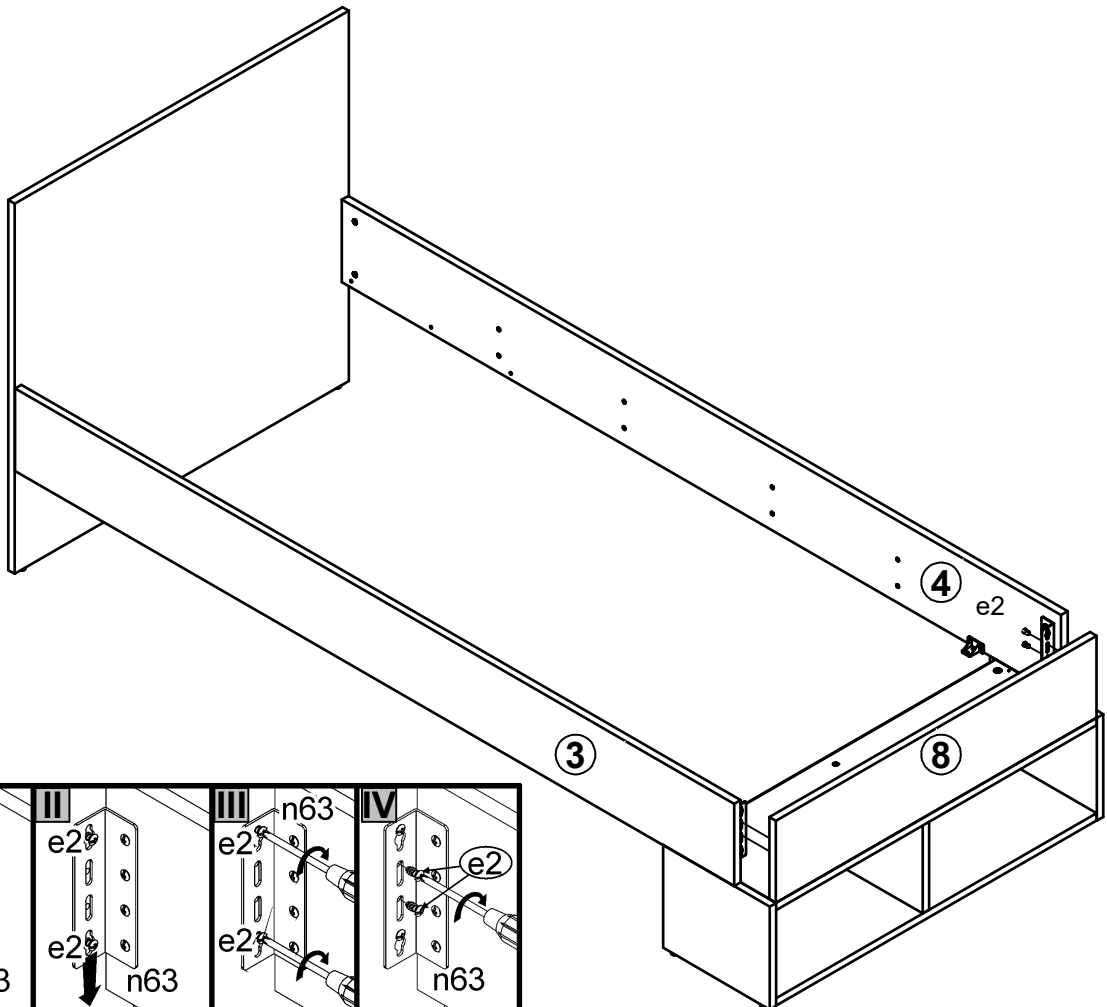
4



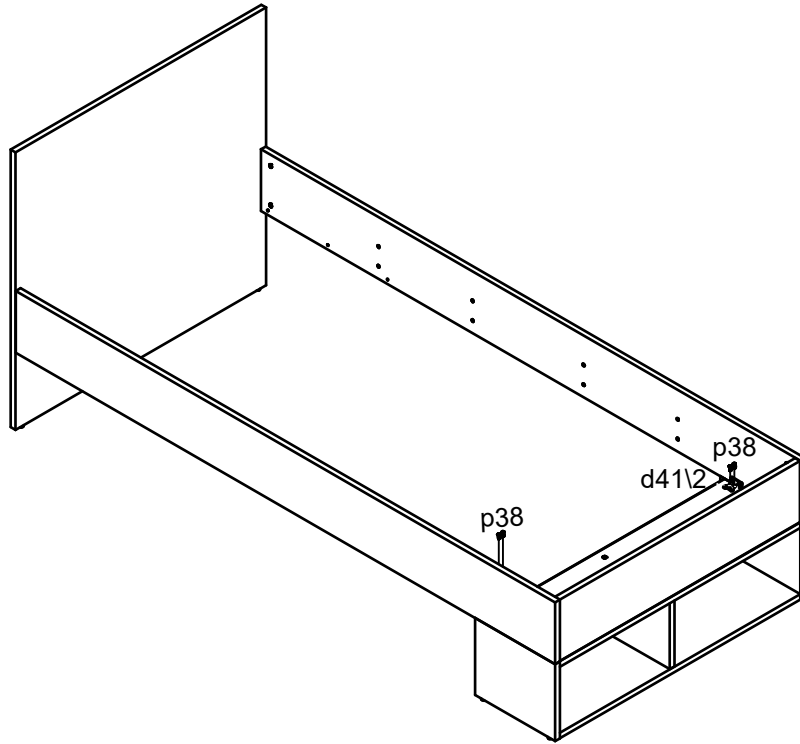
5



6

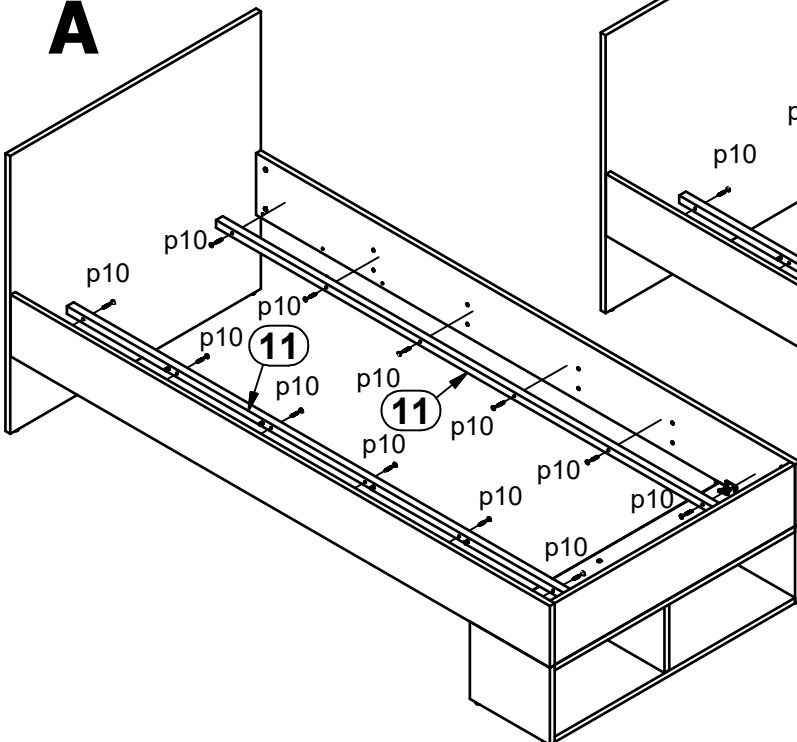


7

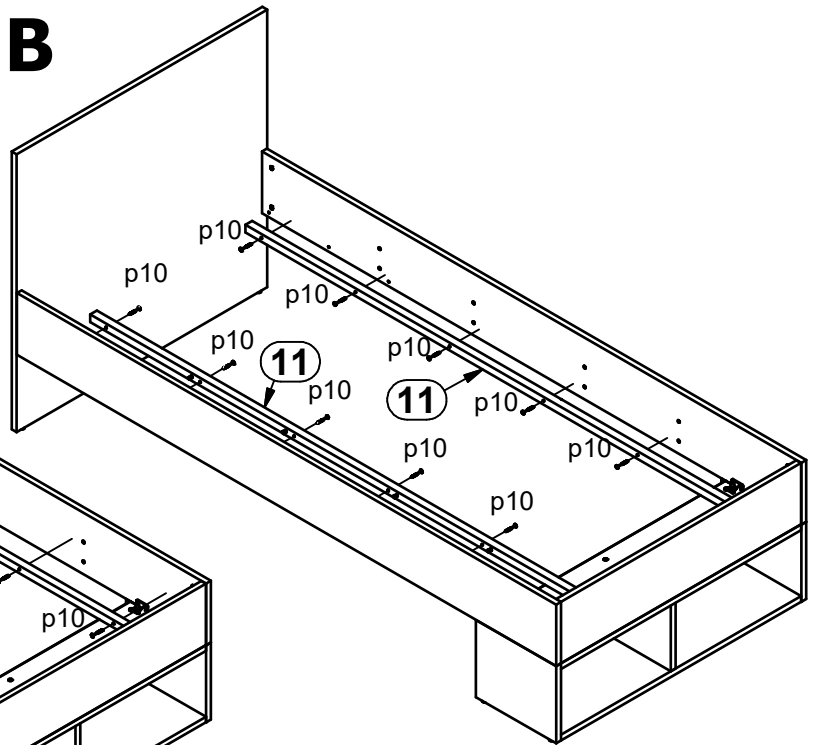


8

A



B



9

