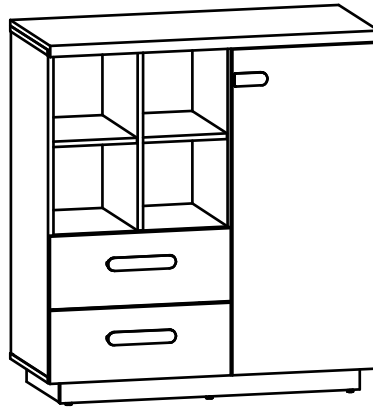
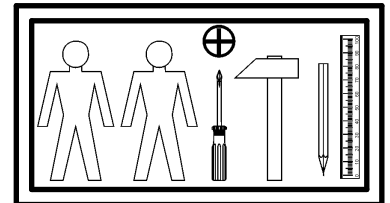
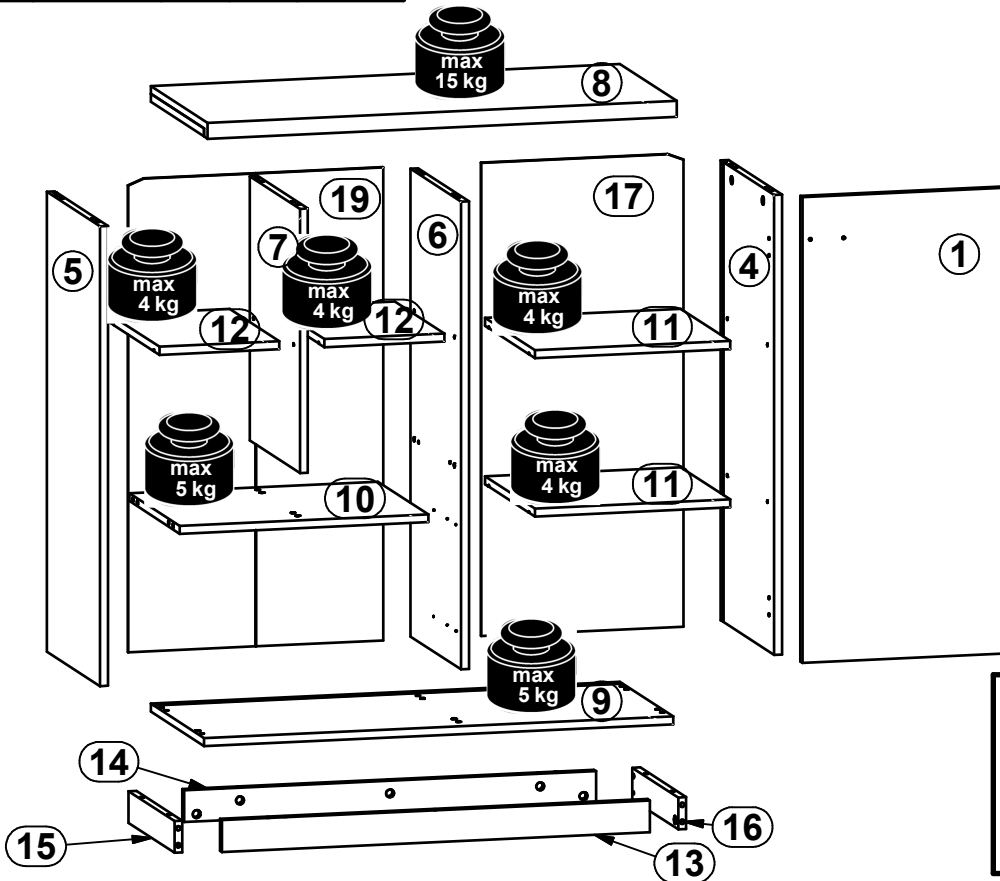
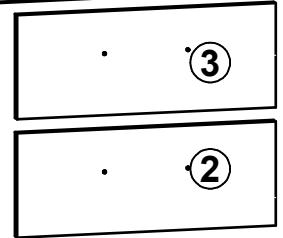


A	B	C	D	
1	S464-0001	876	396	2/2
2	S464-0002	496	196	2/2
3	S464-0003	496	196	2/2
4	S464-1001	865	382	1/2
5	S464-1002	865	382	1/2
6	S464-1003	880	362	1/2
7	S464-1004	497	360	1/2
8	S464-2001	900	407	1/2
9	S464-2002	900	382	1/2
10	S464-3001	477	361	1/2
11	S464-3002	375	356	1/2
12	S464-3003	230	356	1/2
13	S464-4001	821	60	1/2
14	S464-4002	790	60	1/2
15	S464-4003	329	60	1/2
16	S464-4004	329	60	1/2
17	S464-9001	890	388	2/2
18	S464-9002	437	357	2/2
19	S464-9301	890	489	2/2
20	ZK3-5091	427	127	1/2
21	ZK4-513	350	140	1/2
22	ZK4-514	350	140	1/2

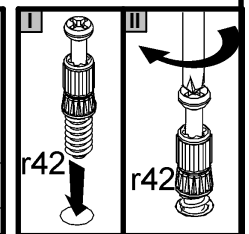
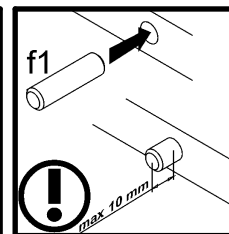
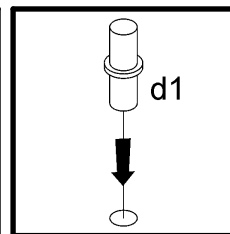
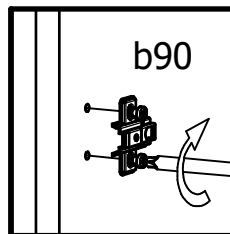
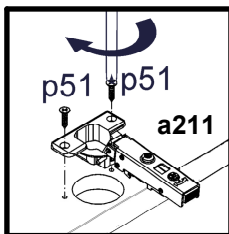
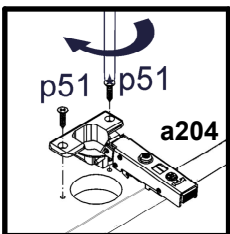
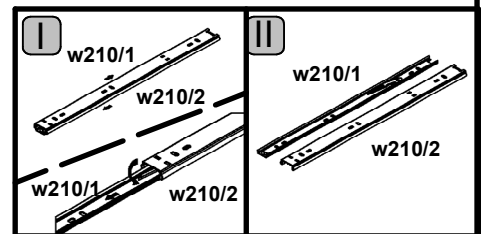
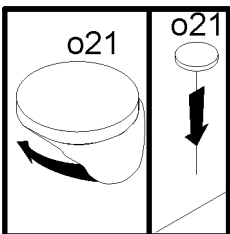
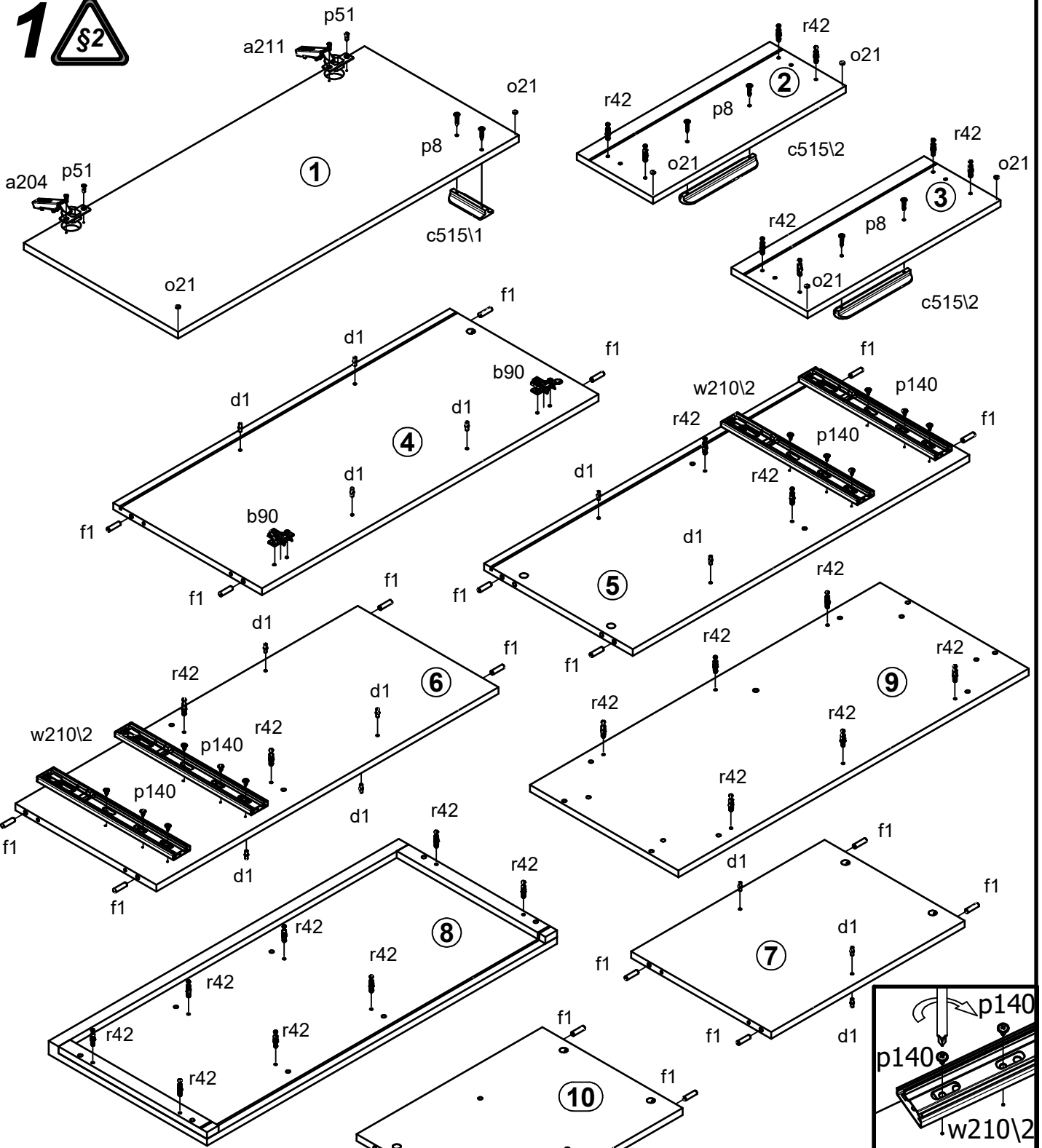


2x

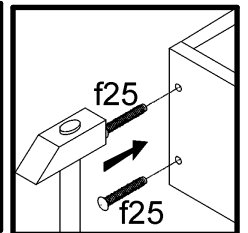
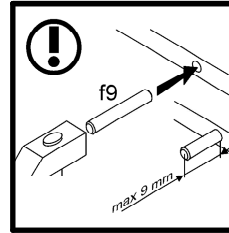
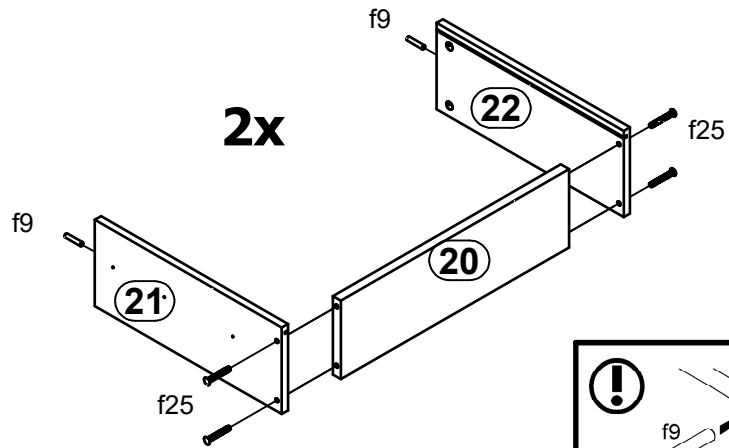


1x Ø35 a204	1x Ø35 a211	2x b90	1x 64mm c515\1	2x 160mm c515\2	16x Ø5x17 mm d1	8x Ø7x50 mm e1	32x Ø8x30 mm f1	4x Ø6x30 mm f9
8x Ø6,5x40 mm f25	6x k1	8x l2	4x 22x9,5x20,7 mm n108	6x silikon o21	6x Ø4x25 mm p8	7x Ø3,5x16 mm p38	4x Ø3,5x15 mm p51	7x Ø2,9x16 mm p55
24x Ø3,5x12 mm p140	22x Ø15x12 mm #16 r1	8x Ø12x10,5 mm #12 r15	30x 20/11 r42	4x L-350 mm w210\1	4x L-350 mm w210\2	8x Ø 20mm s68	1x 4 mm z1	1x n26\1

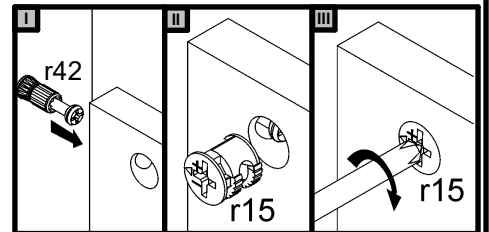
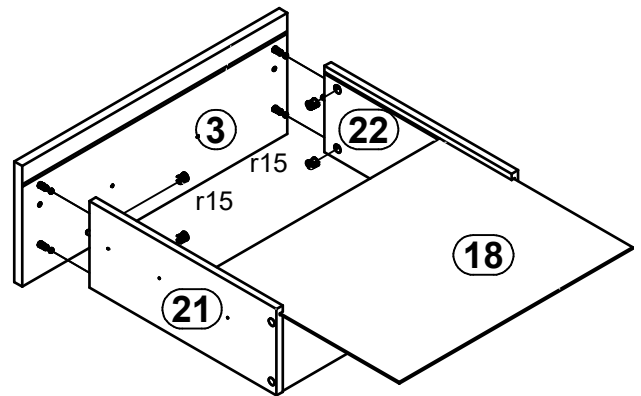
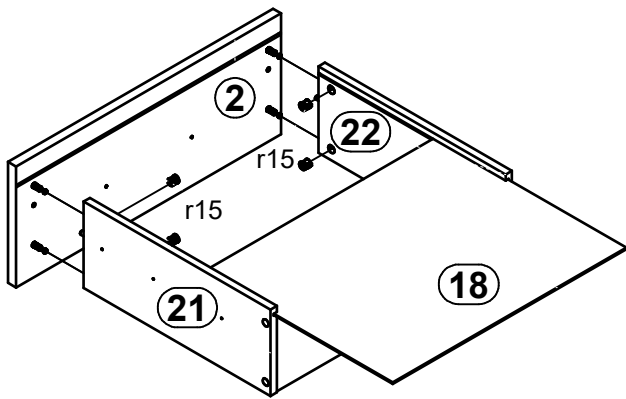
1



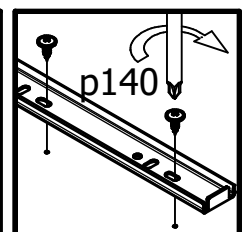
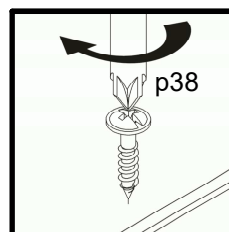
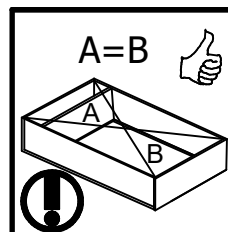
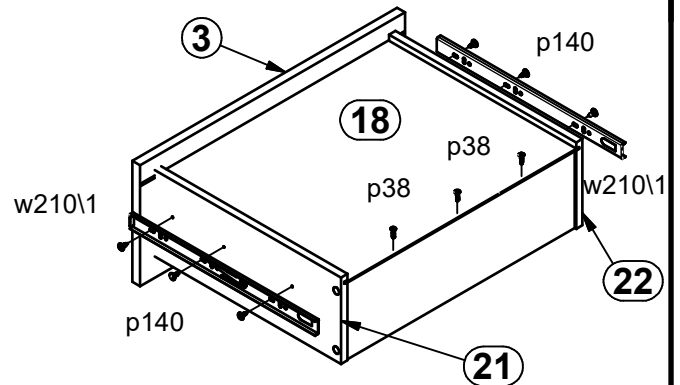
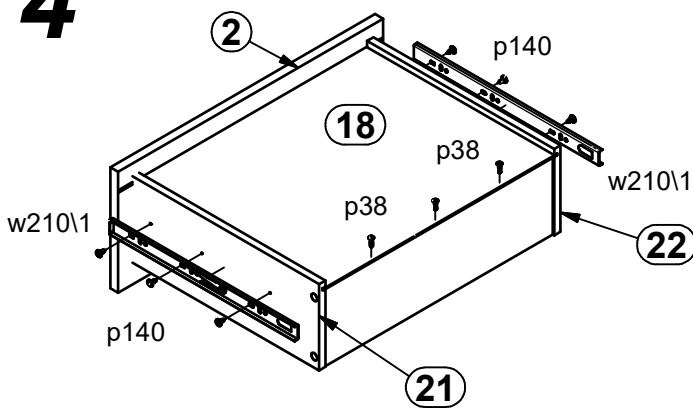
2



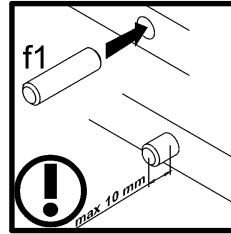
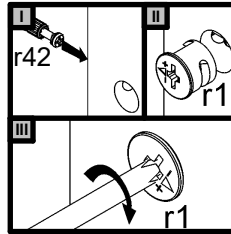
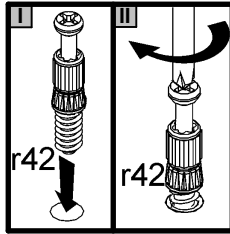
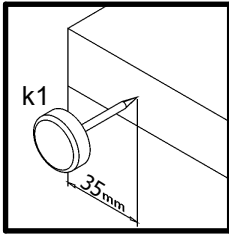
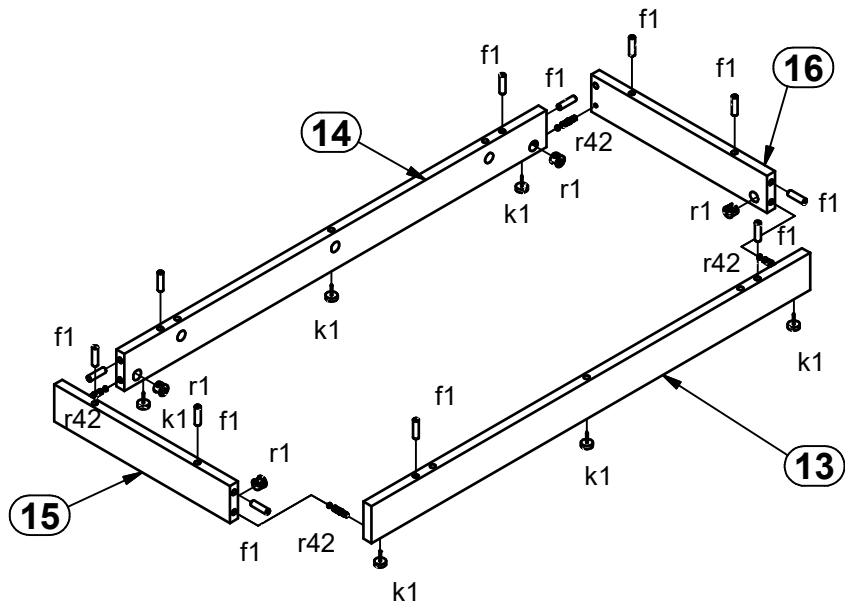
3



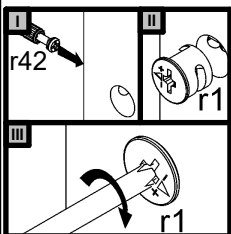
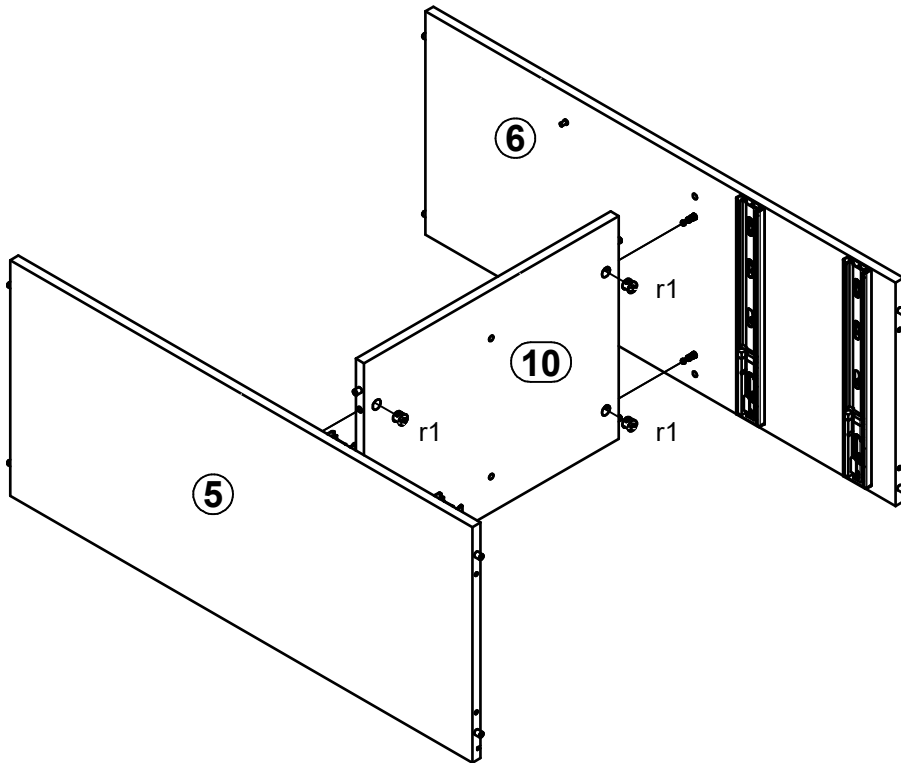
4



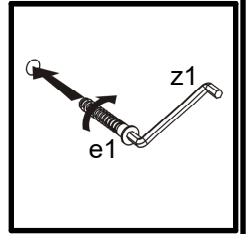
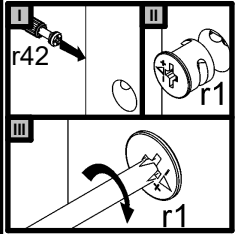
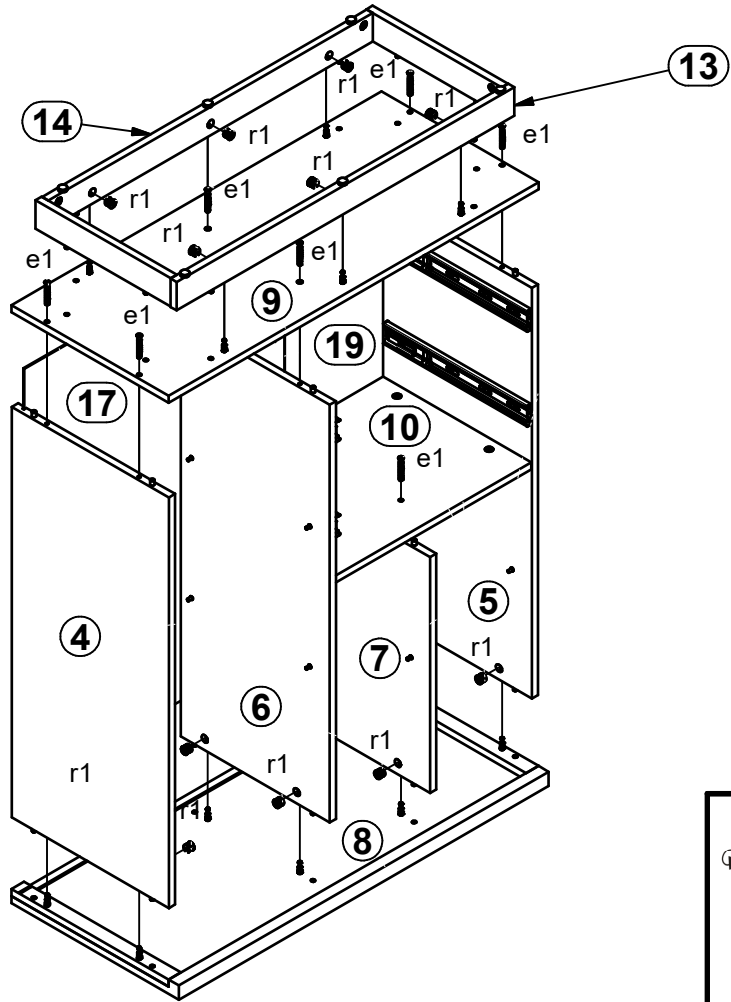
5



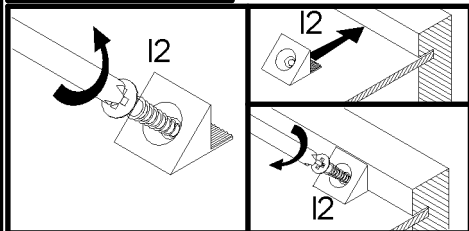
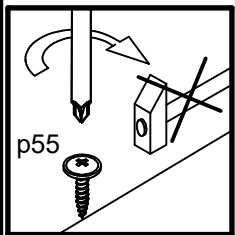
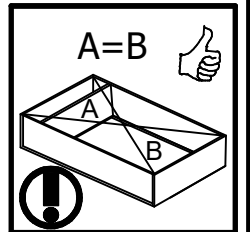
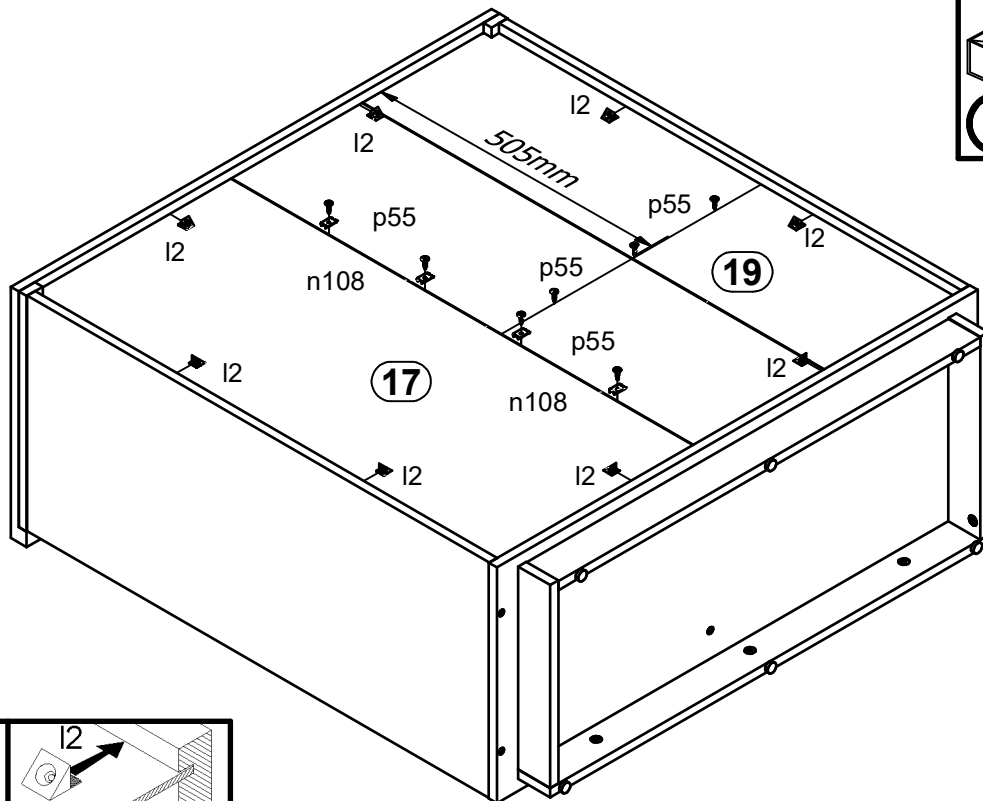
6



7



8



9

