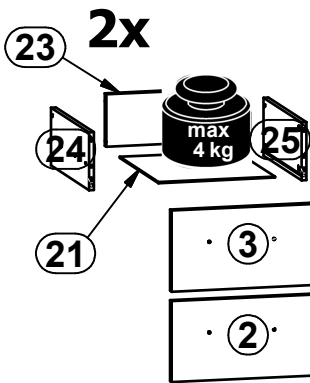
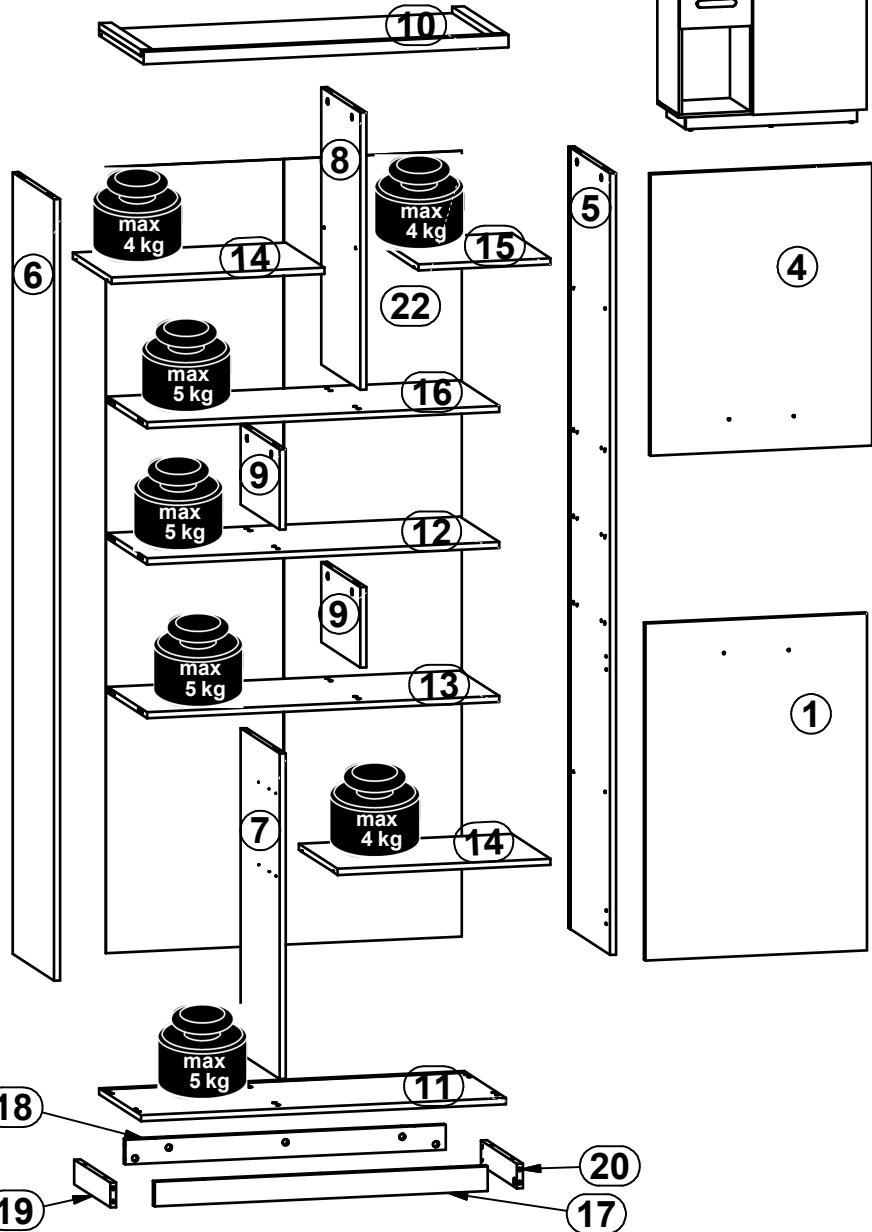
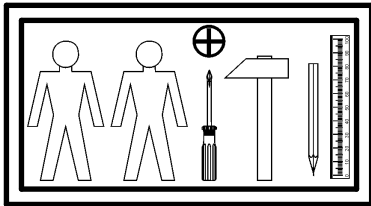
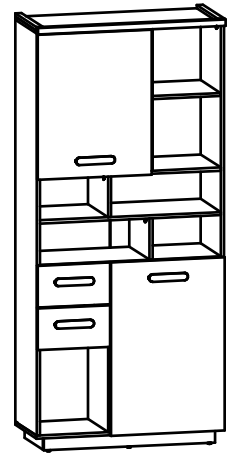
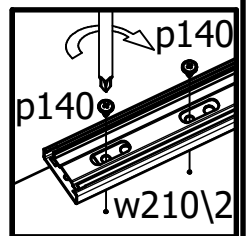
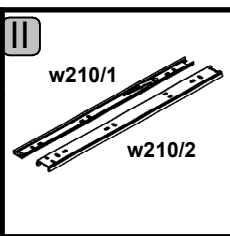
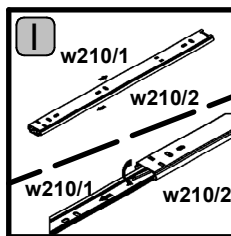
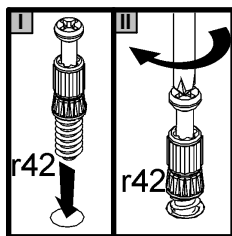
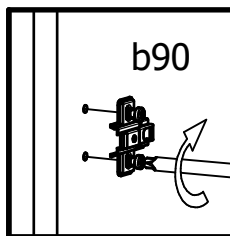
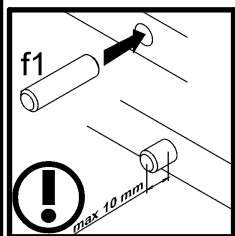
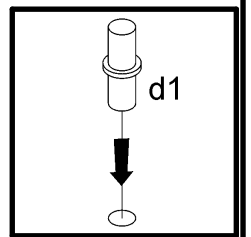
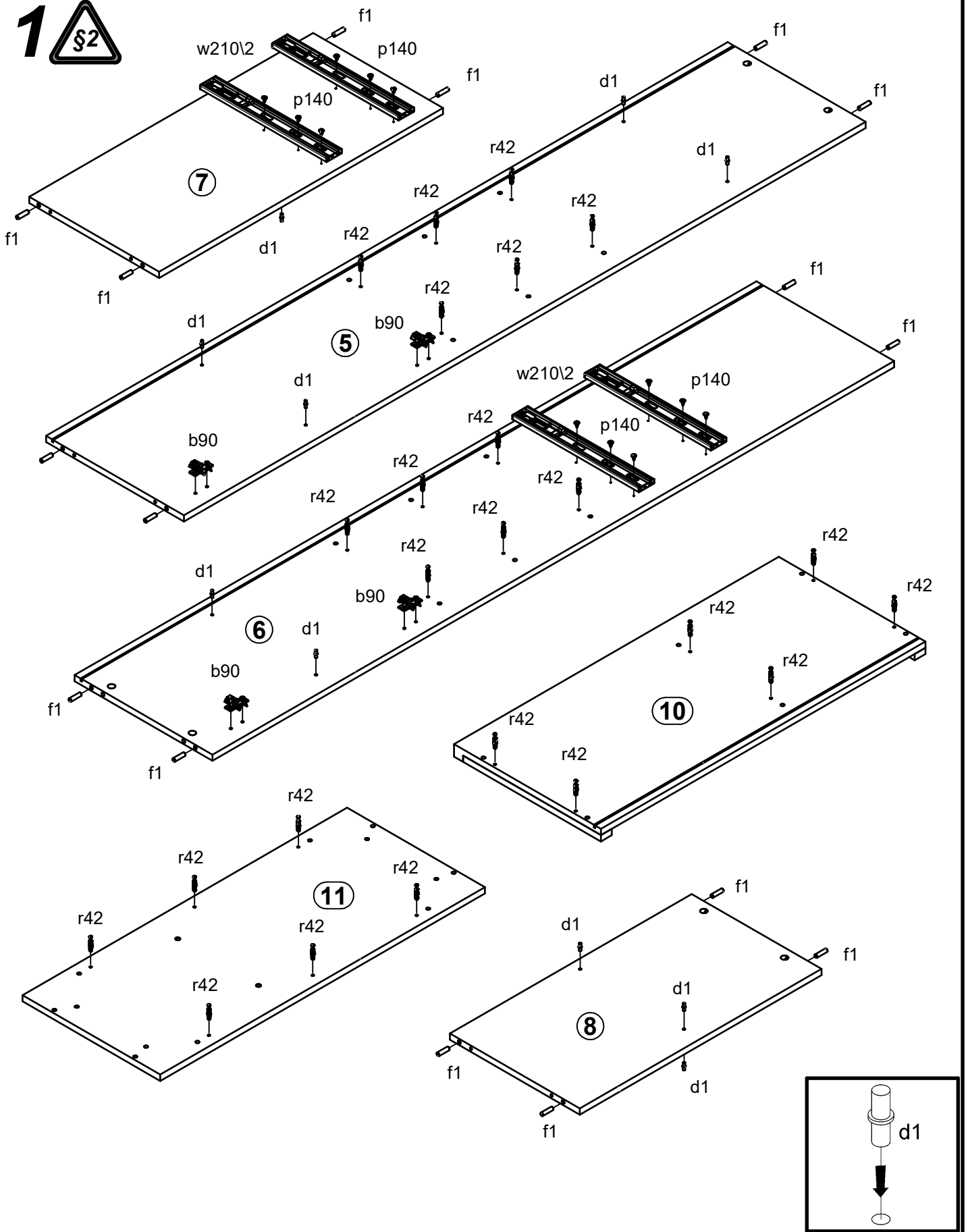


A	B	C	D
1	S464-0008	815	546 3/3
2	S464-0009	346	196 3/3
3	S464-0010	346	196 3/3
4	S464-0011	681	546 3/3
5	S464-1009	1890	382 1/3
6	S464-1010	1890	382 1/3
7	S464-1011	787	360 1/3
8	S464-1012	670	360 1/3
9	S464-1013	194	360 1/3
10	S464-2005	900	407 2/3
11	S464-2006	900	382 2/3
12	S464-3007	868	361 2/3
13	S464-3009	868	361 2/3
14	S464-3010	525	356 2/3
15	S464-3011	326	356 2/3
16	S464-3012	868	361 2/3
17	S464-4001	821	60 1/3
18	S464-4002	790	60 1/3
19	S464-4003	329	60 1/3
20	S464-4004	329	60 1/3
21	S464-9005	287	357 2/3
22	S464-9303	1900	877 1/3
23	ZK3-5095	277	127 2/3
24	ZK4-513	350	140 2/3
25	ZK4-514	350	140 2/3

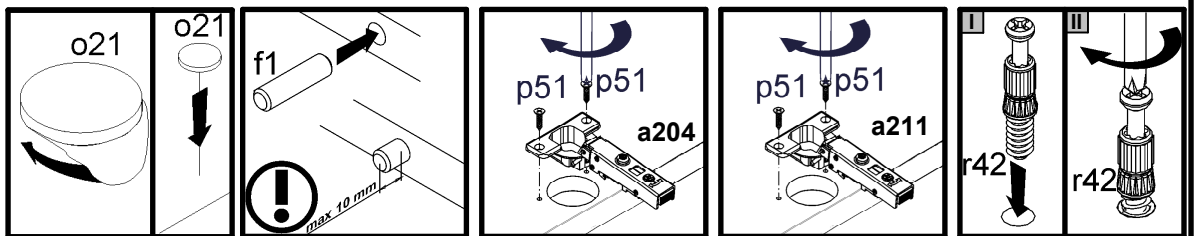
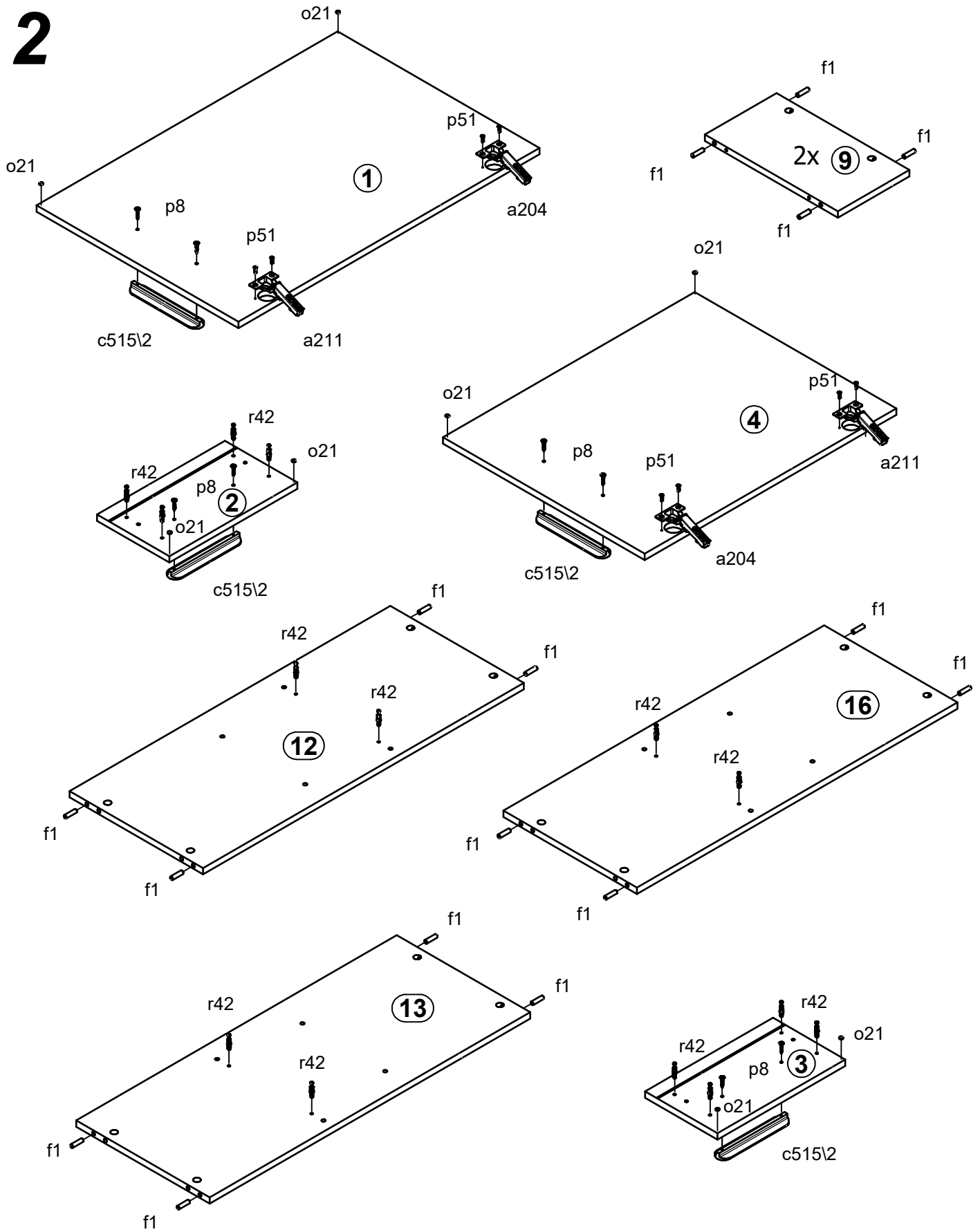


2x Ø35 a204	2x Ø35 a211	4x Ø2 b90	4x 160mm c515/2	12x Ø5x17 mm d1	12x Ø7x50 mm e1	48x Ø8x30 mm f1	4x Ø6x30 mm f9	8x Ø6.5x40 mm f25
6x k1	14x l2	8x silikon o21	8x Ø4x25 mm p8	7x Ø3.5x16 mm p38	8x Ø3.5x15 mm p51	8x Ø2.9x16 mm p55	24x Ø3.5x12 mm p140	34x Ø15x12 mm #16 r1
8x Ø12x10.5 mm #12 r15	42x 20/11 r42	4x L-300 mm w210/1	4x L-350 mm w210/2	4x Ø14x0.5 mm s59	18x Ø 20mm s68	1x 4 mm z1	1x n26/1	

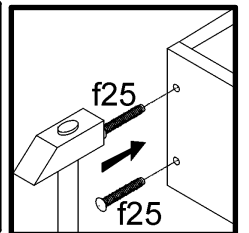
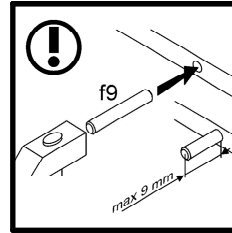
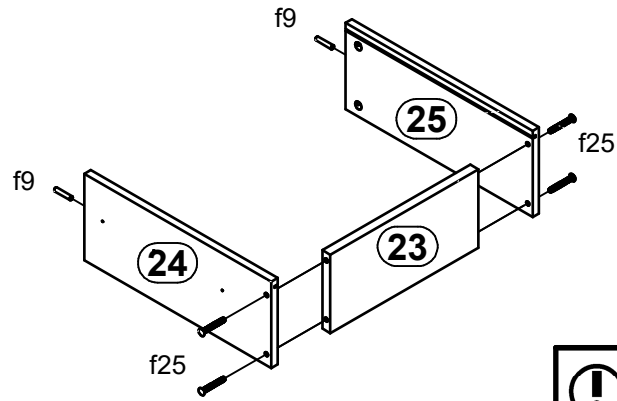
**1** 



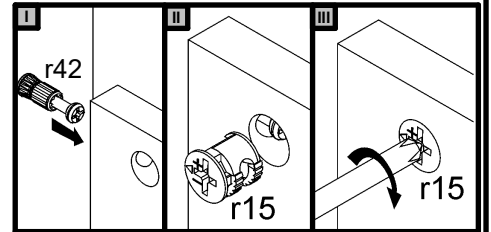
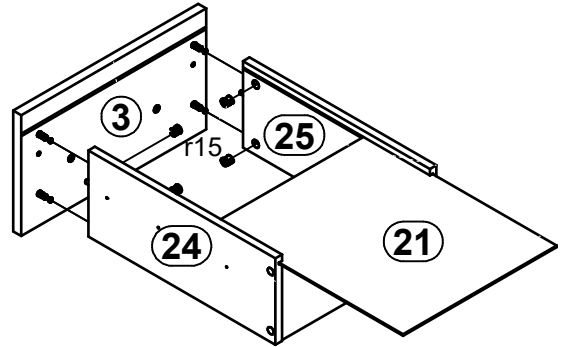
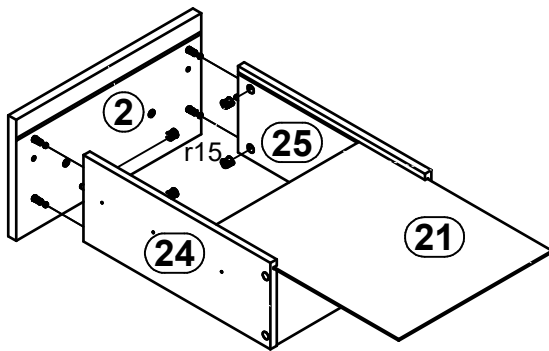
# 2



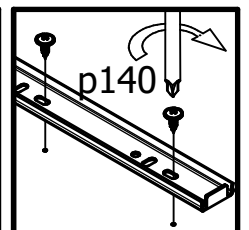
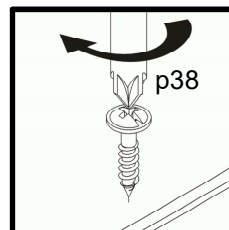
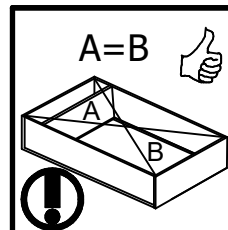
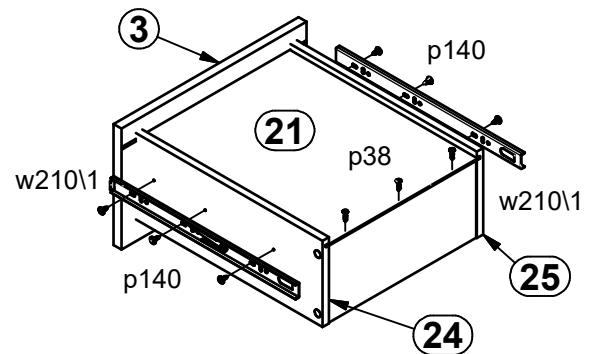
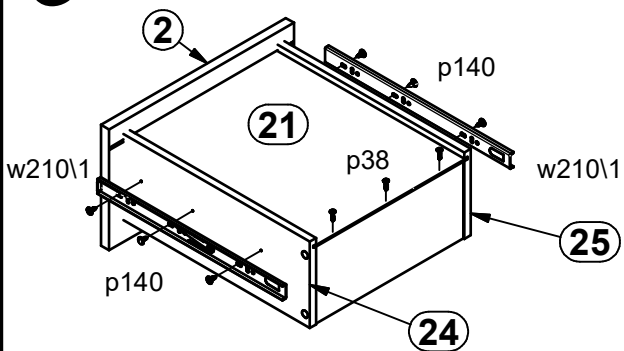
# 3



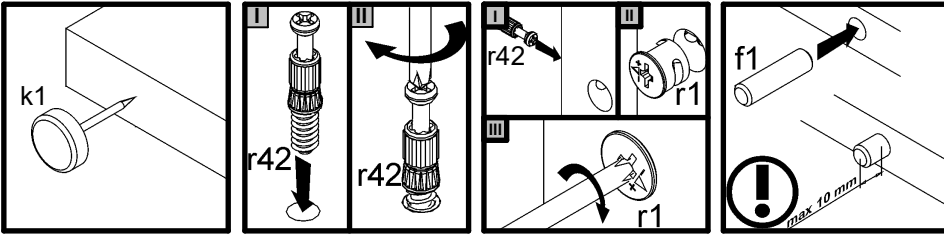
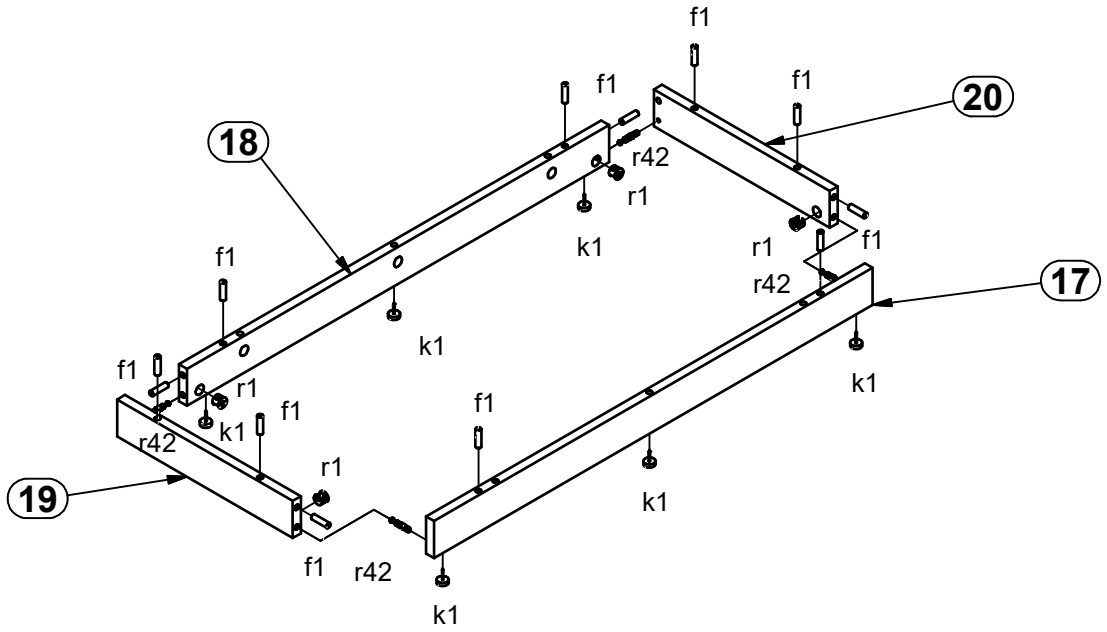
# 4



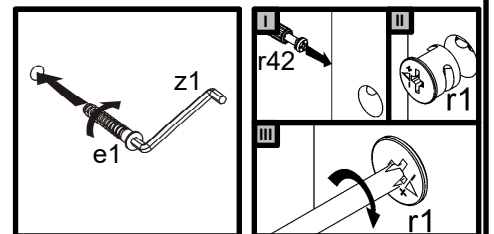
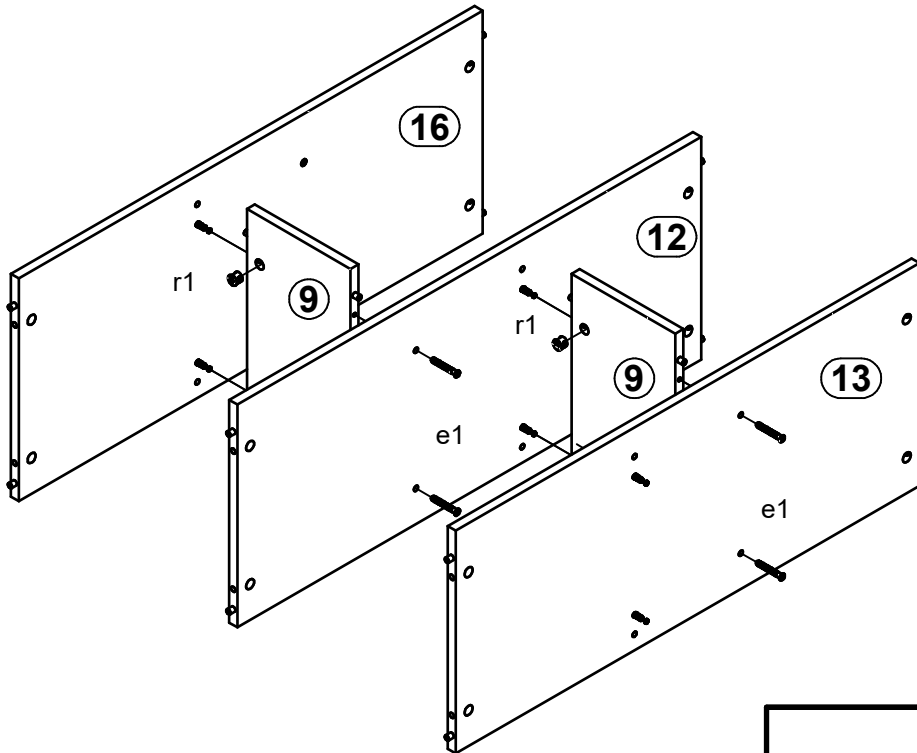
# 5



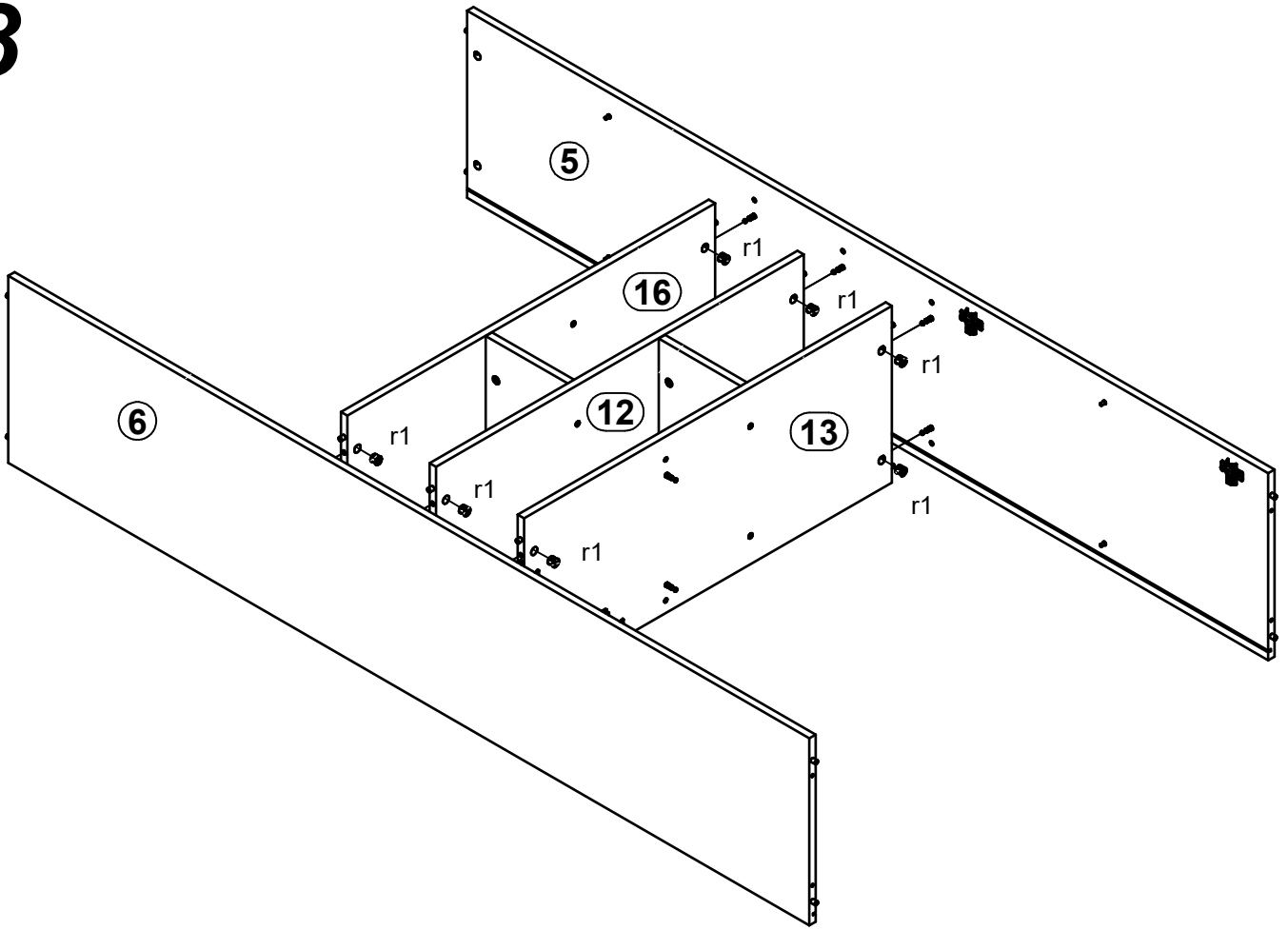
# 6



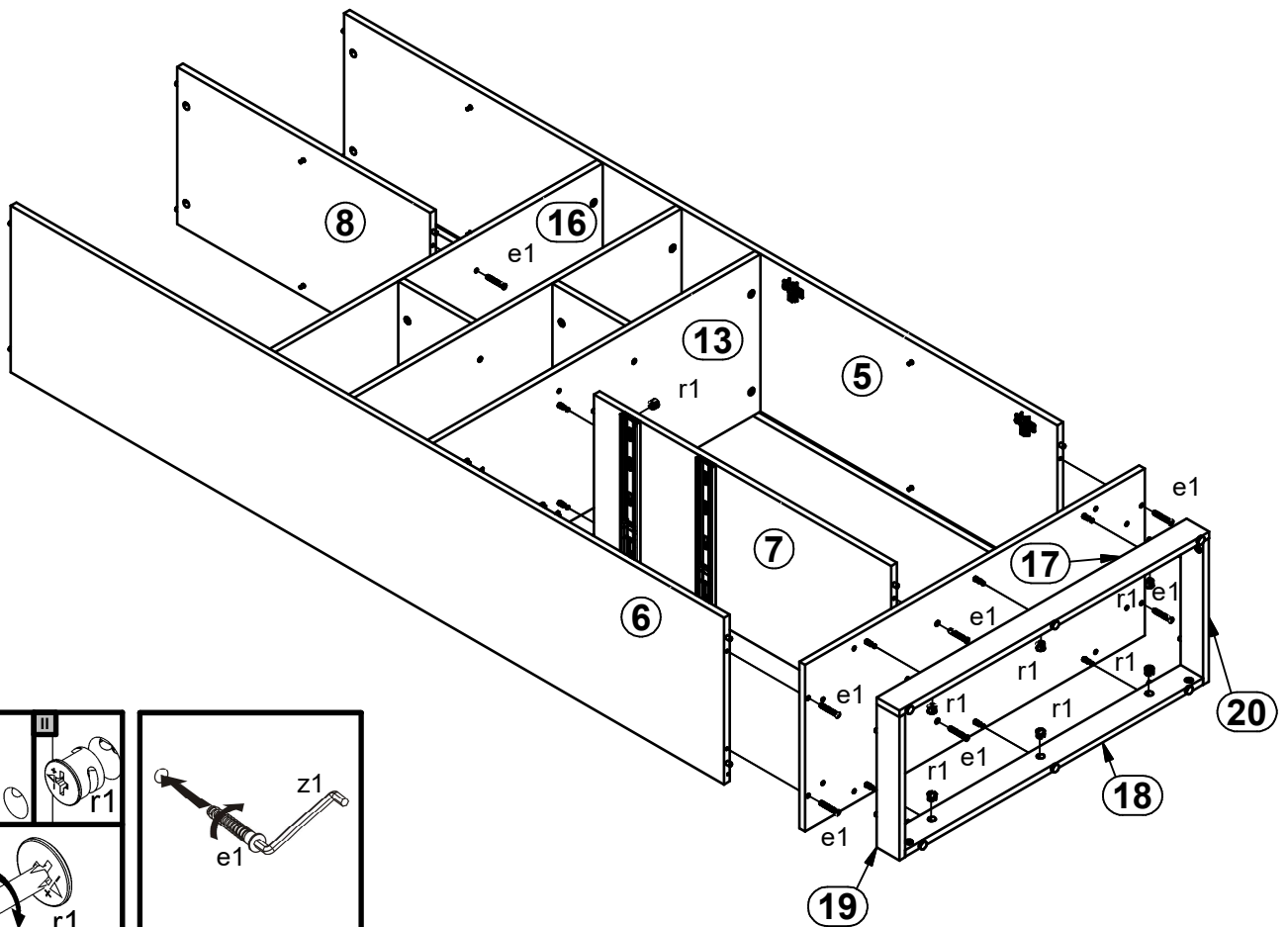
# 7



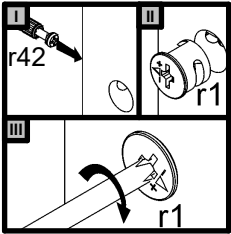
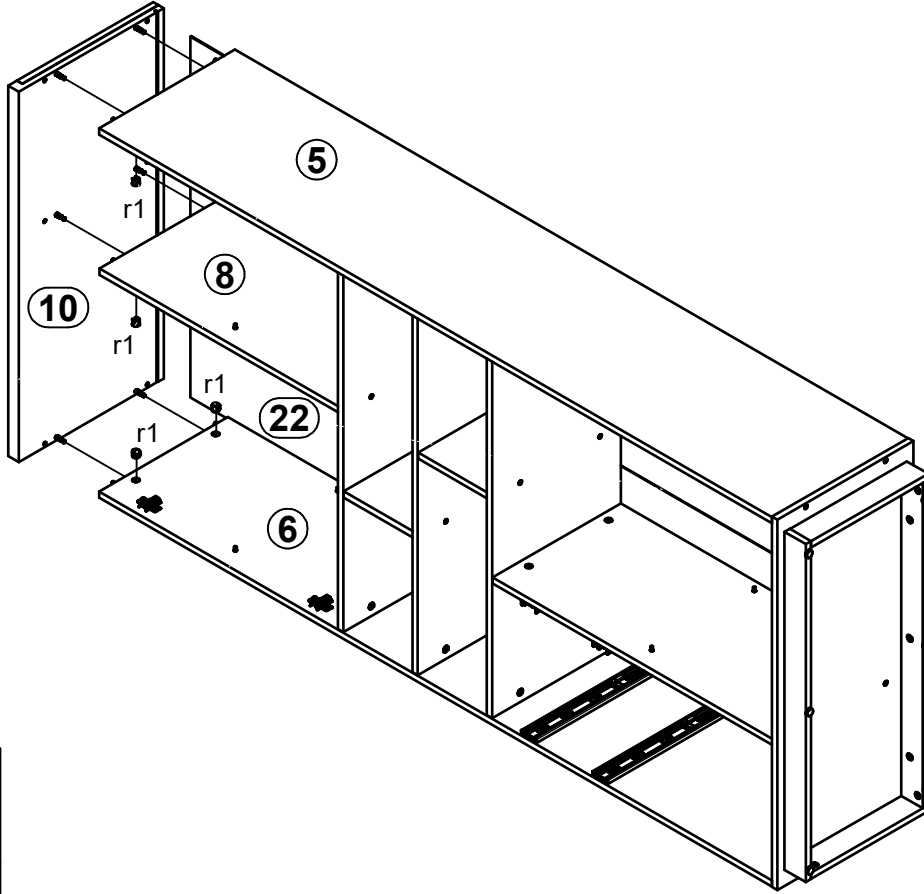
# 8



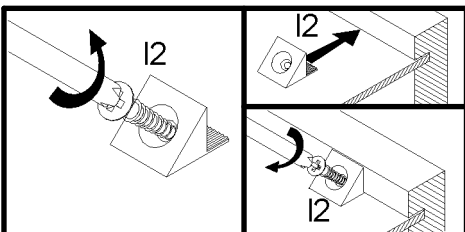
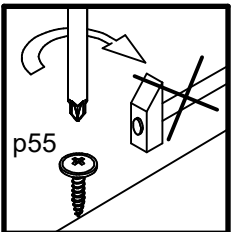
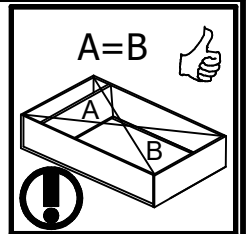
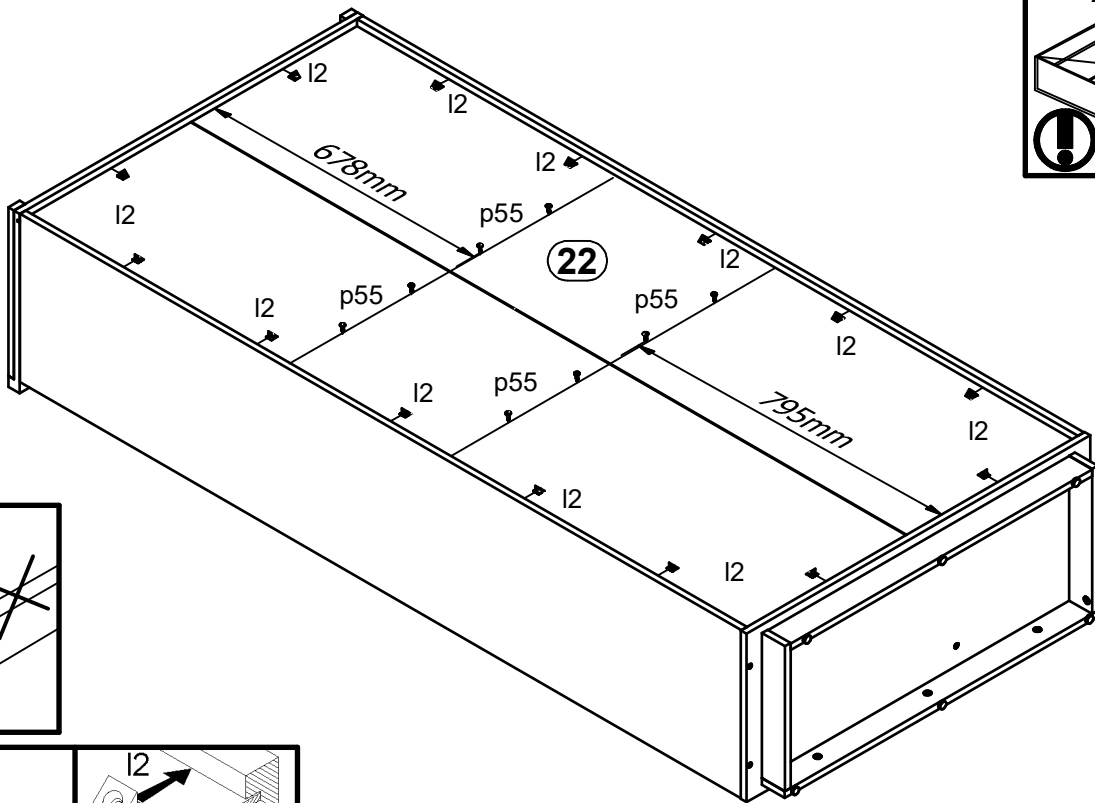
# 9



# 10



# 11



# 12

