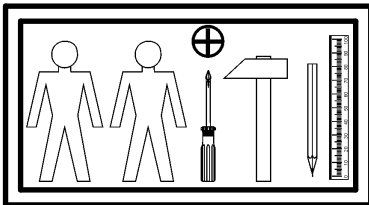
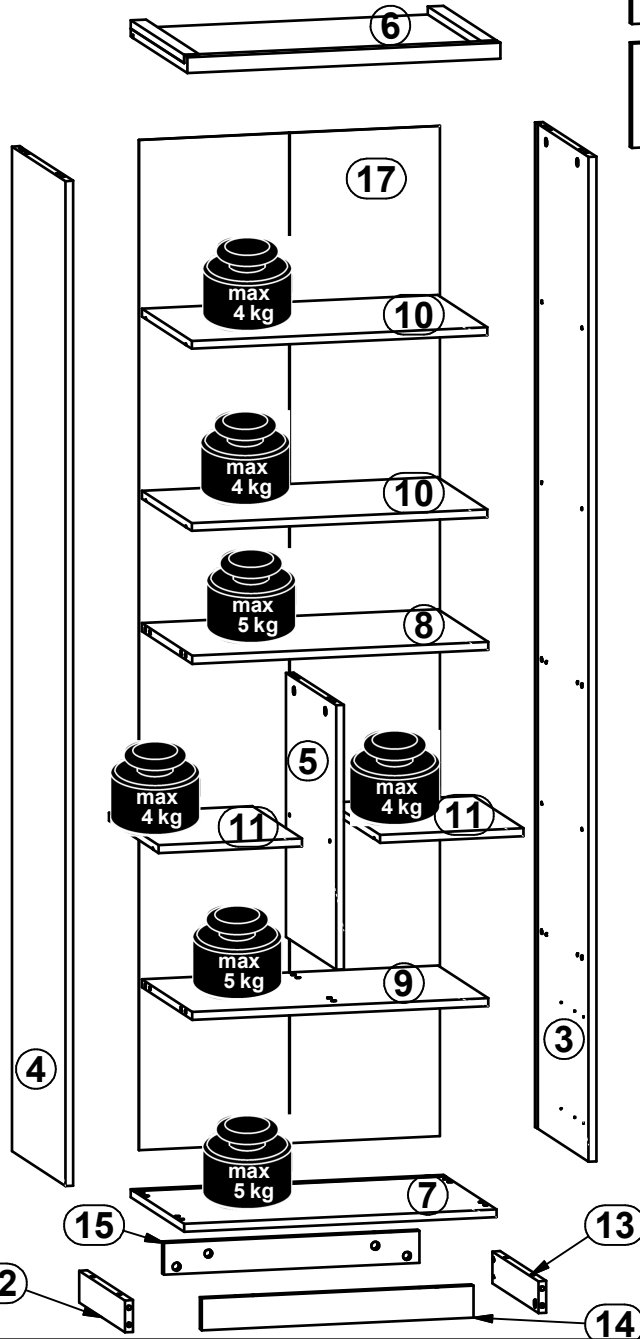
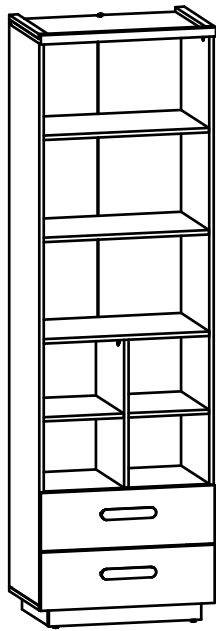
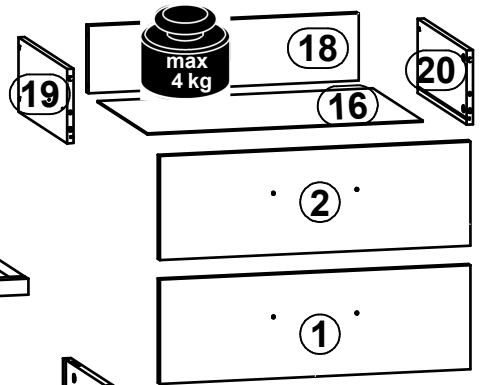


A

WESKER

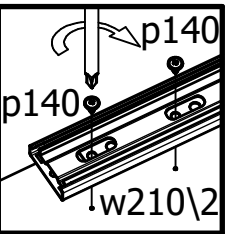
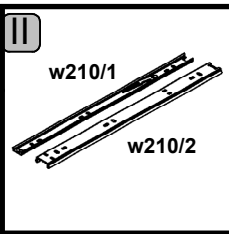
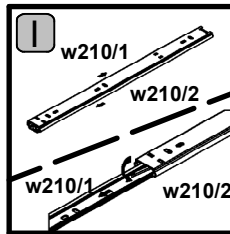
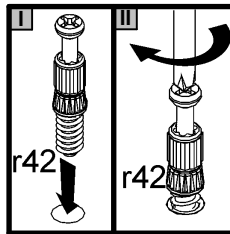
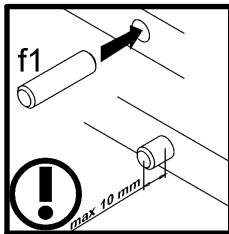
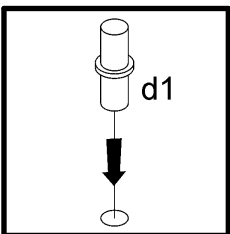
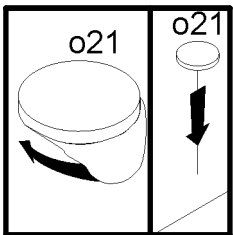
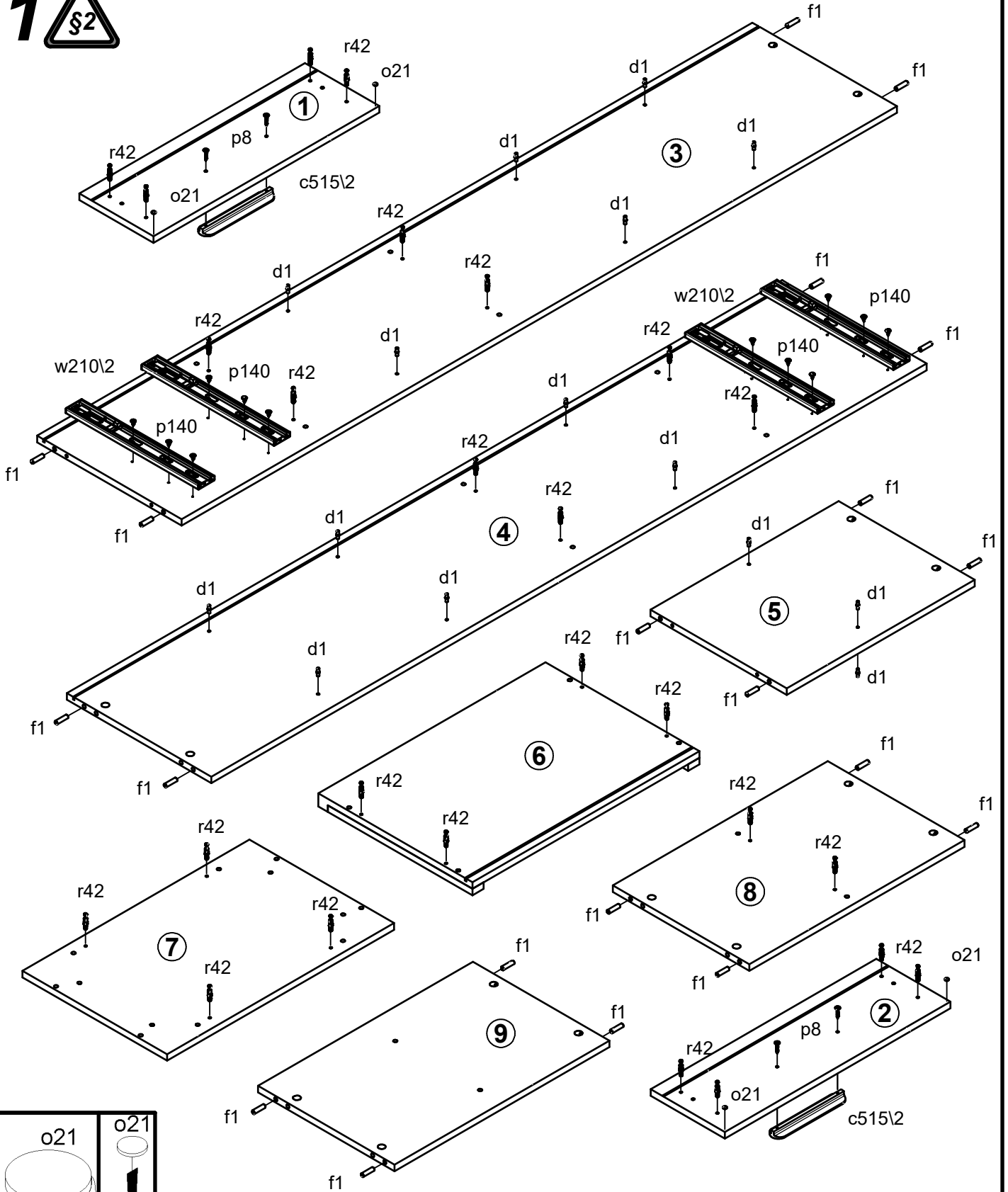
S464-REG2S

A	B	C	D	
1	S464-0012	596	196	2/2
2	S464-0013	596	196	2/2
3	S464-1014	1890	382	1/2
4	S464-1015	1890	382	1/2
5	S464-1016	497	360	2/2
6	S464-2007	600	407	2/2
7	S464-2008	600	382	2/2
8	S464-3013	568	361	1/2
9	S464-3014	568	361	1/2
10	S464-3015	567	356	2/2
11	S464-3016	275	356	2/2
12	S464-4003	329	60	1/2
13	S464-4004	329	60	1/2
14	S464-4007	521	60	1/2
15	S464-4008	490	60	1/2
16	S464-9006	528	357	2/2
17	S464-9304	1900	577	1/2
18	ZK3-5096	518	127	1/2
19	ZK4-513	350	140	2/2
20	ZK4-514	350	140	2/2

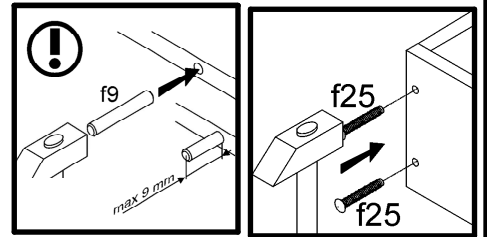
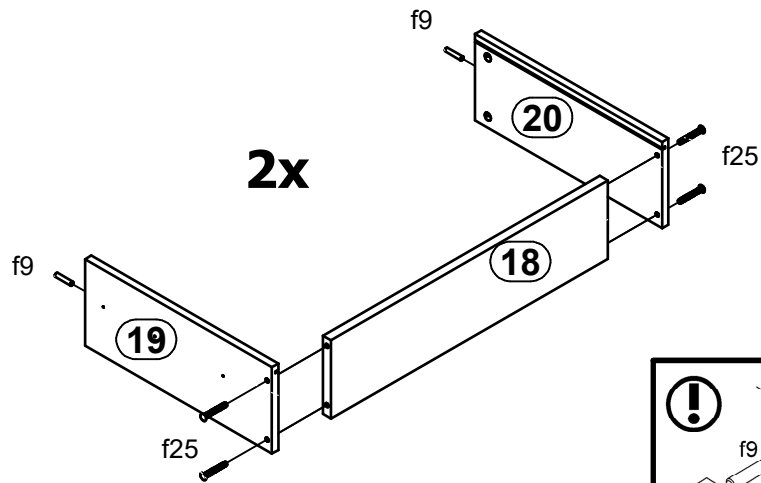


2x 160mm c5'15'2	16x Ø5x17 mm d1	6x Ø7x50 mm e1	32x Ø8x30 mm f1	4x Ø6x30 mm f9	8x Ø6.5x40 mm f25	4x k1	12x l2	4x silikon o21
4x Ø4x25 mm p8	2x Ø3.5x16 mm p25	2x Ø3.5x10 mm p35	10x Ø3.5x16 mm p38	6x Ø2.9x16 mm p55	24x Ø3.5x12 mm p140	22x Ø15x12 mm #16 r1	8x Ø12x10.5 mm #12 r15	30x 20/11 r42
2x 350 mm t35	4x w210\1	4x L-350 mm w210\2	6x Ø 20mm s68	1x 4 mm z1	1x 88x21x15/1.5 n14\2	1x Ø10x50 mm f35	1x Ø5x60 mm p17	

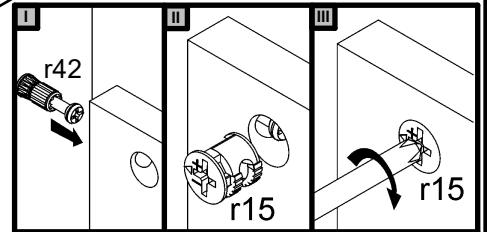
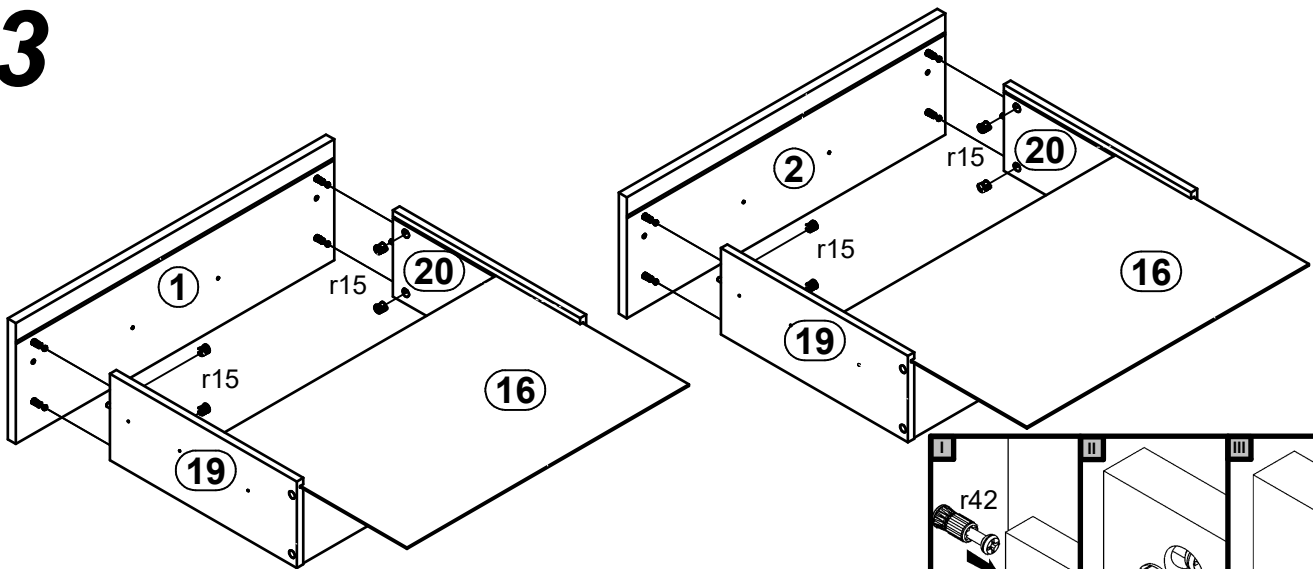
1 



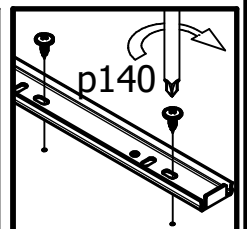
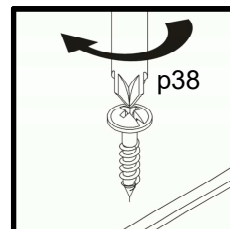
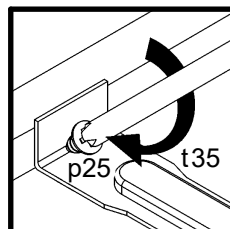
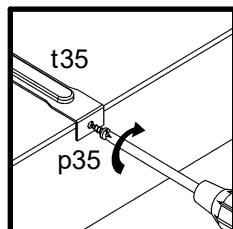
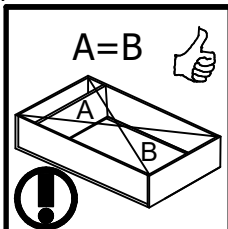
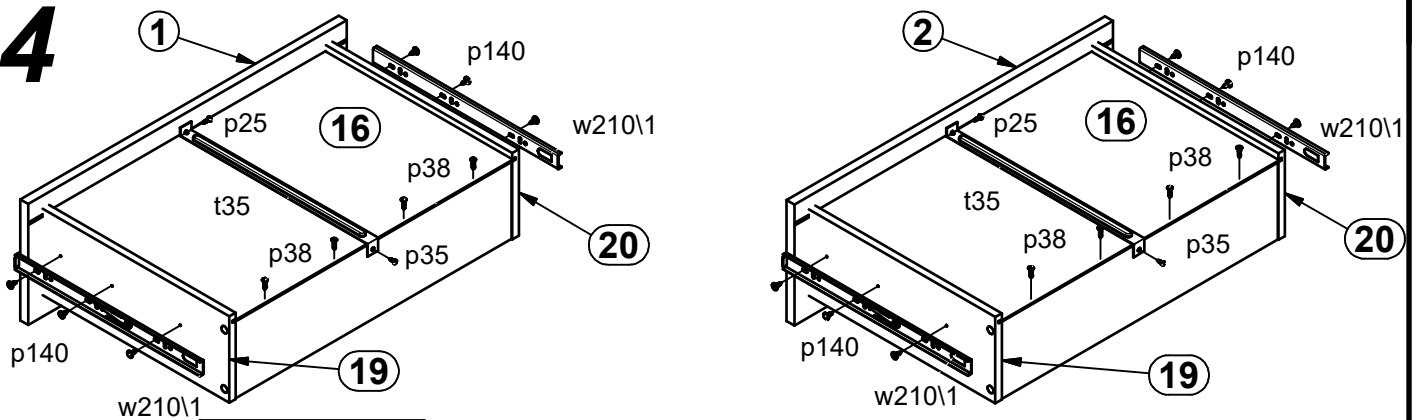
2



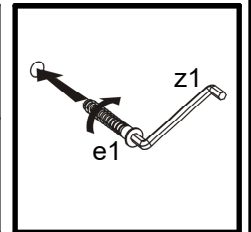
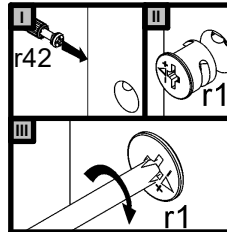
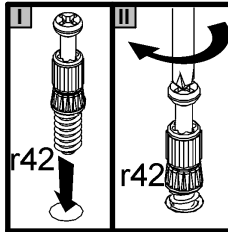
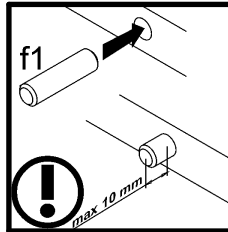
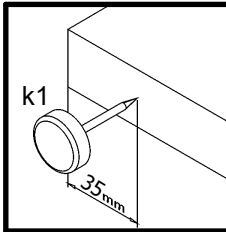
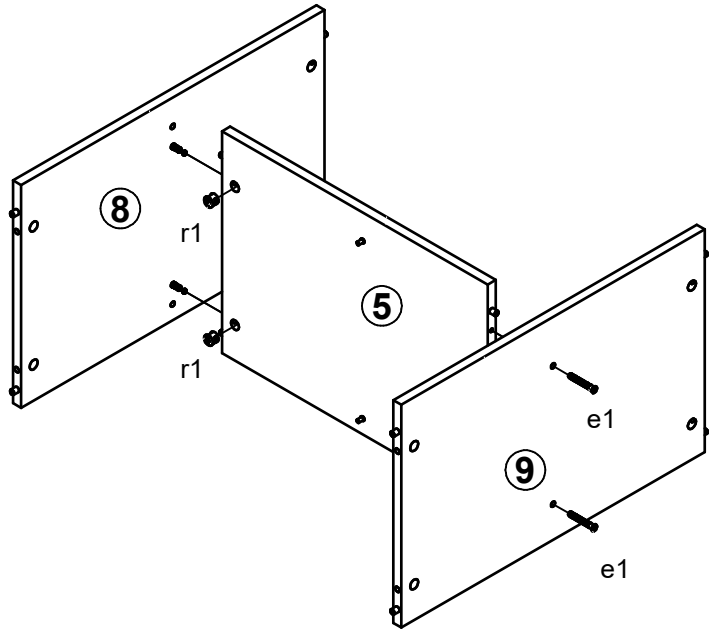
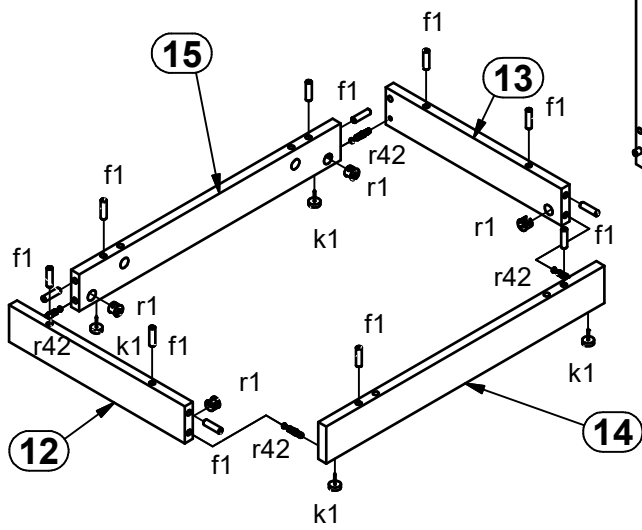
3



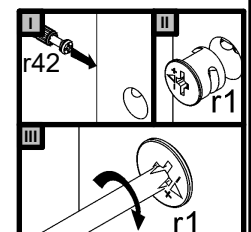
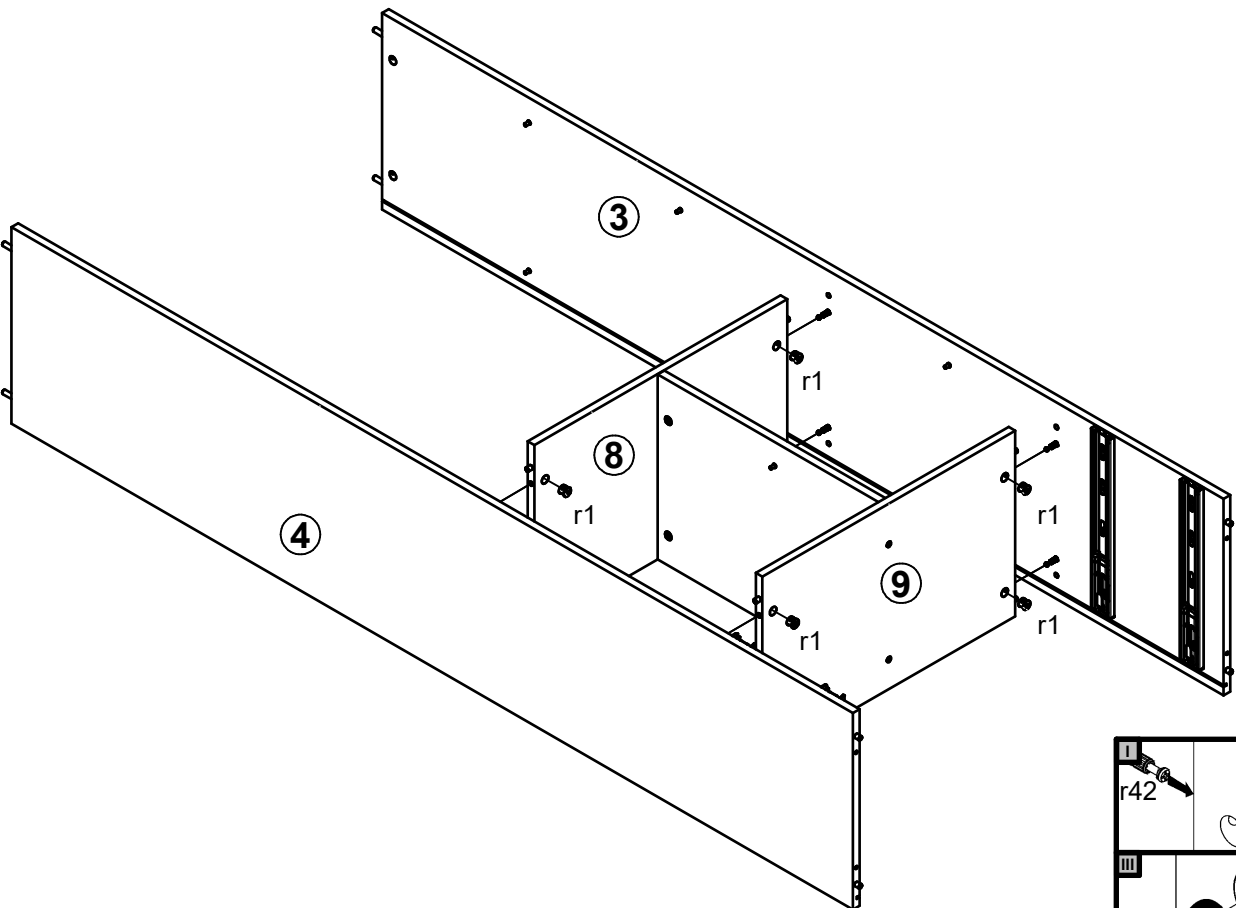
4

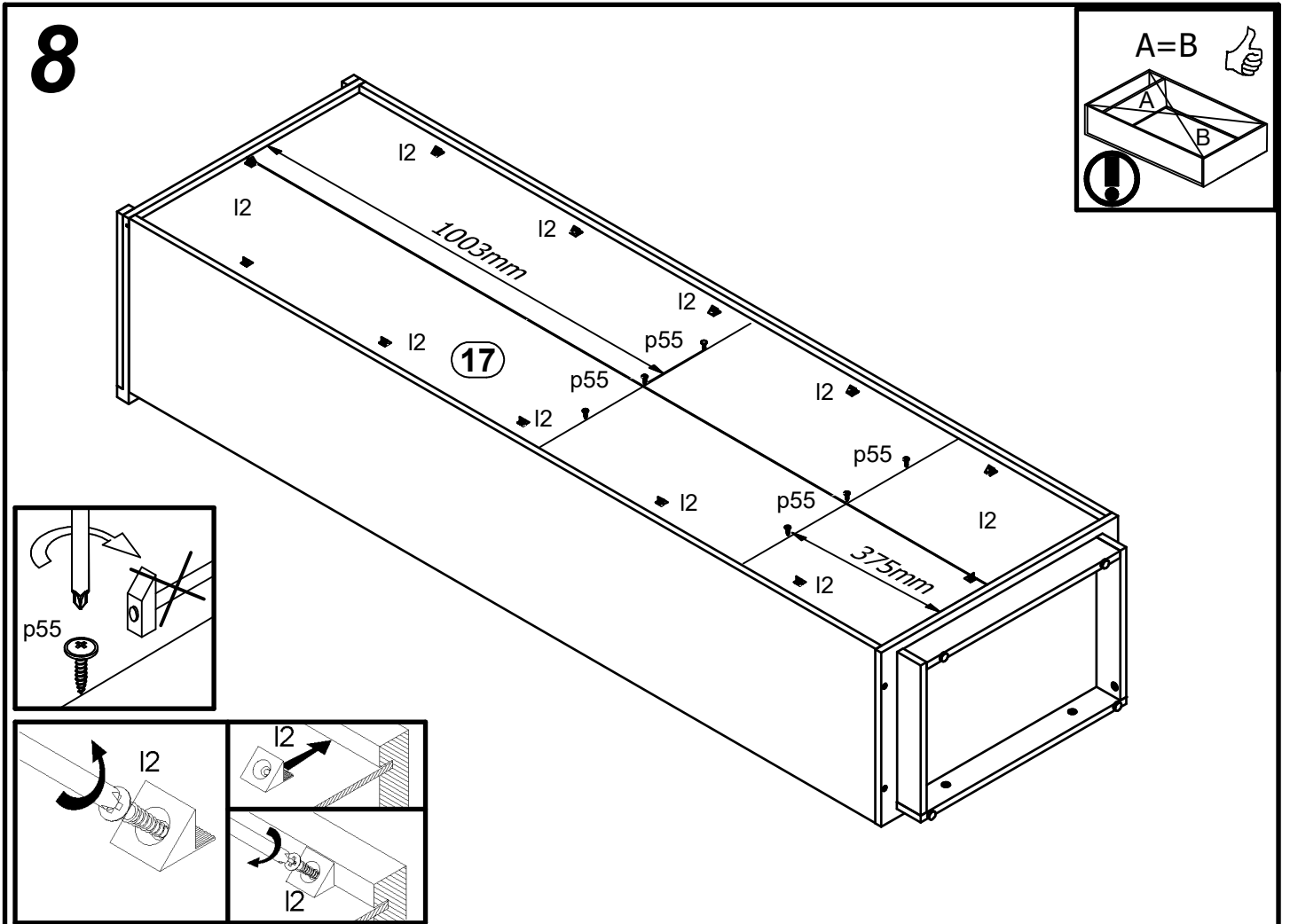
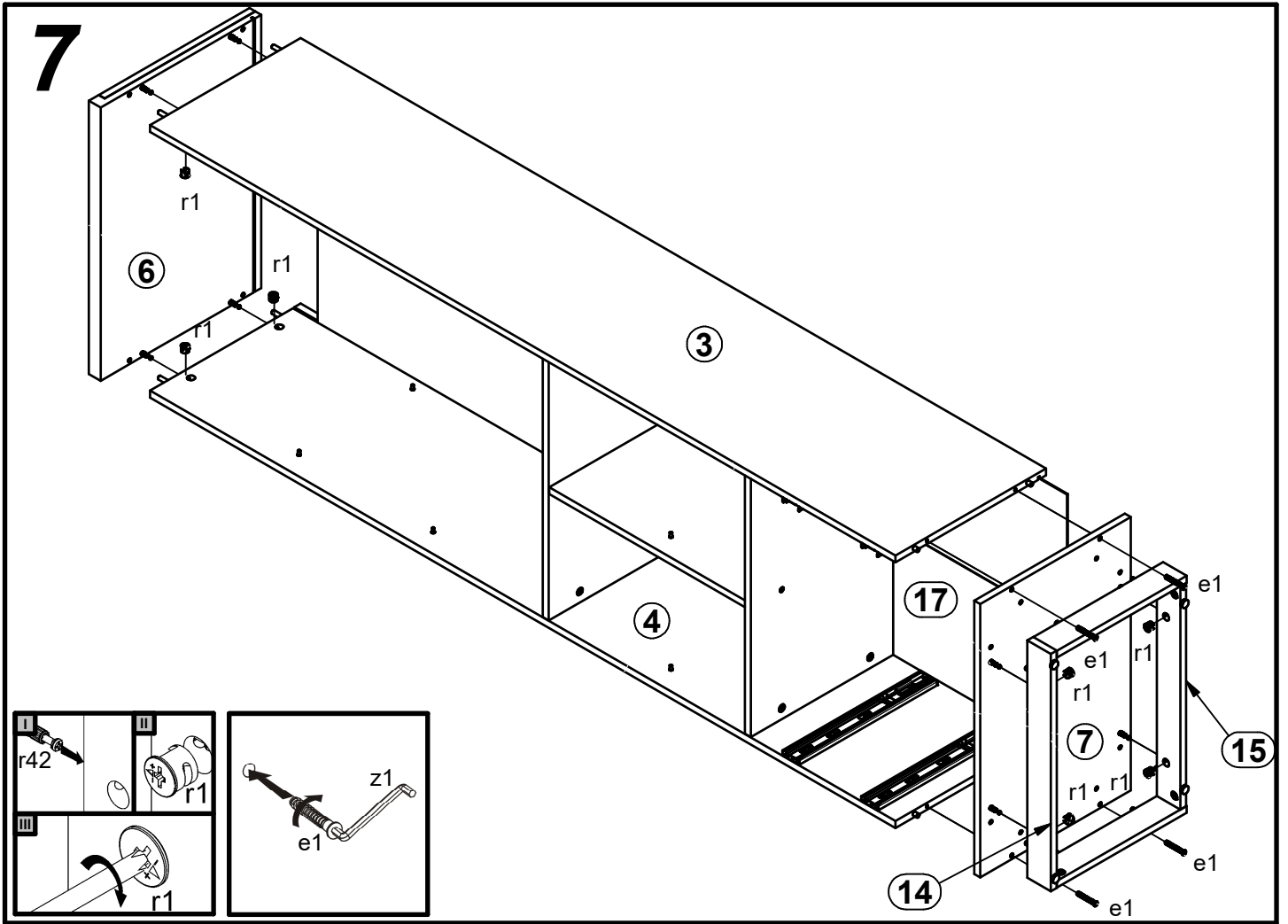


5



6





9

