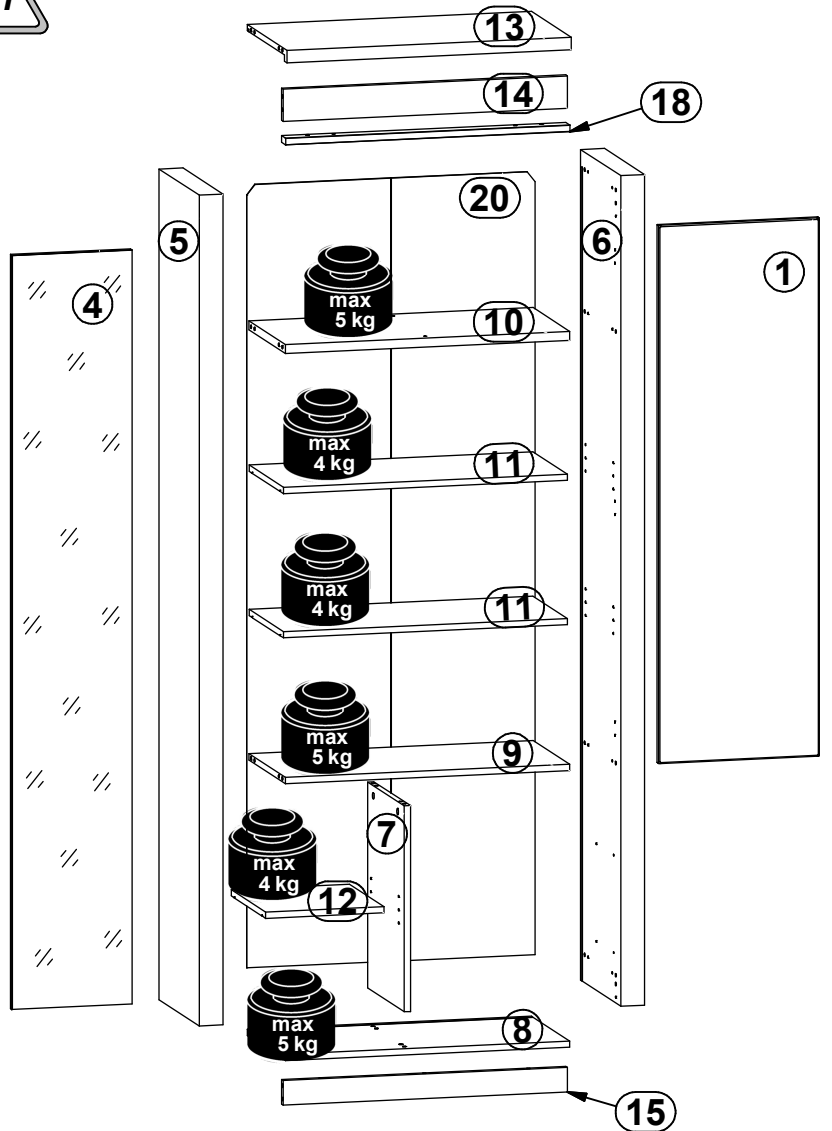
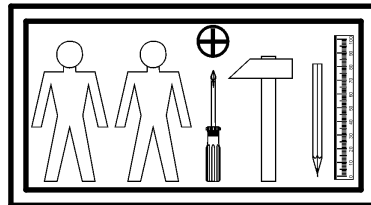
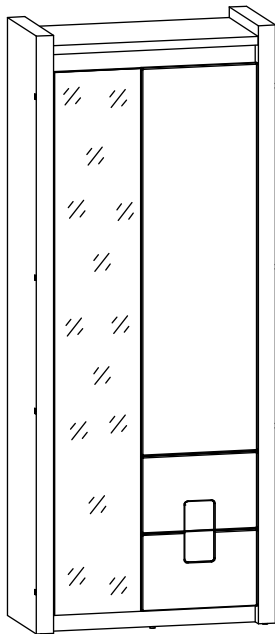
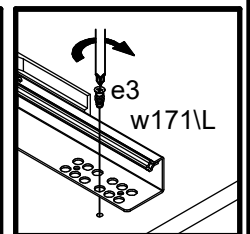
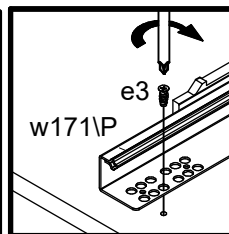
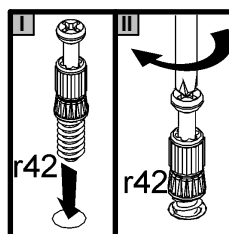
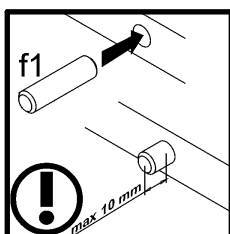
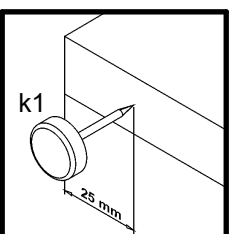
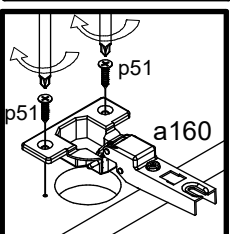
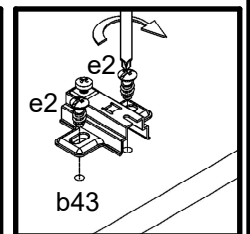
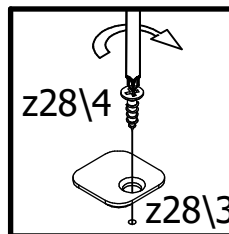
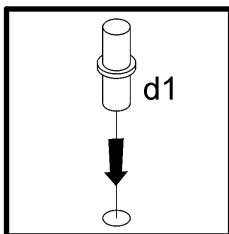
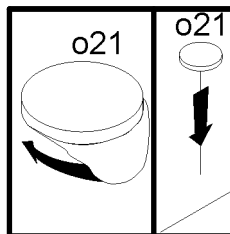
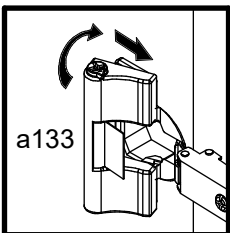
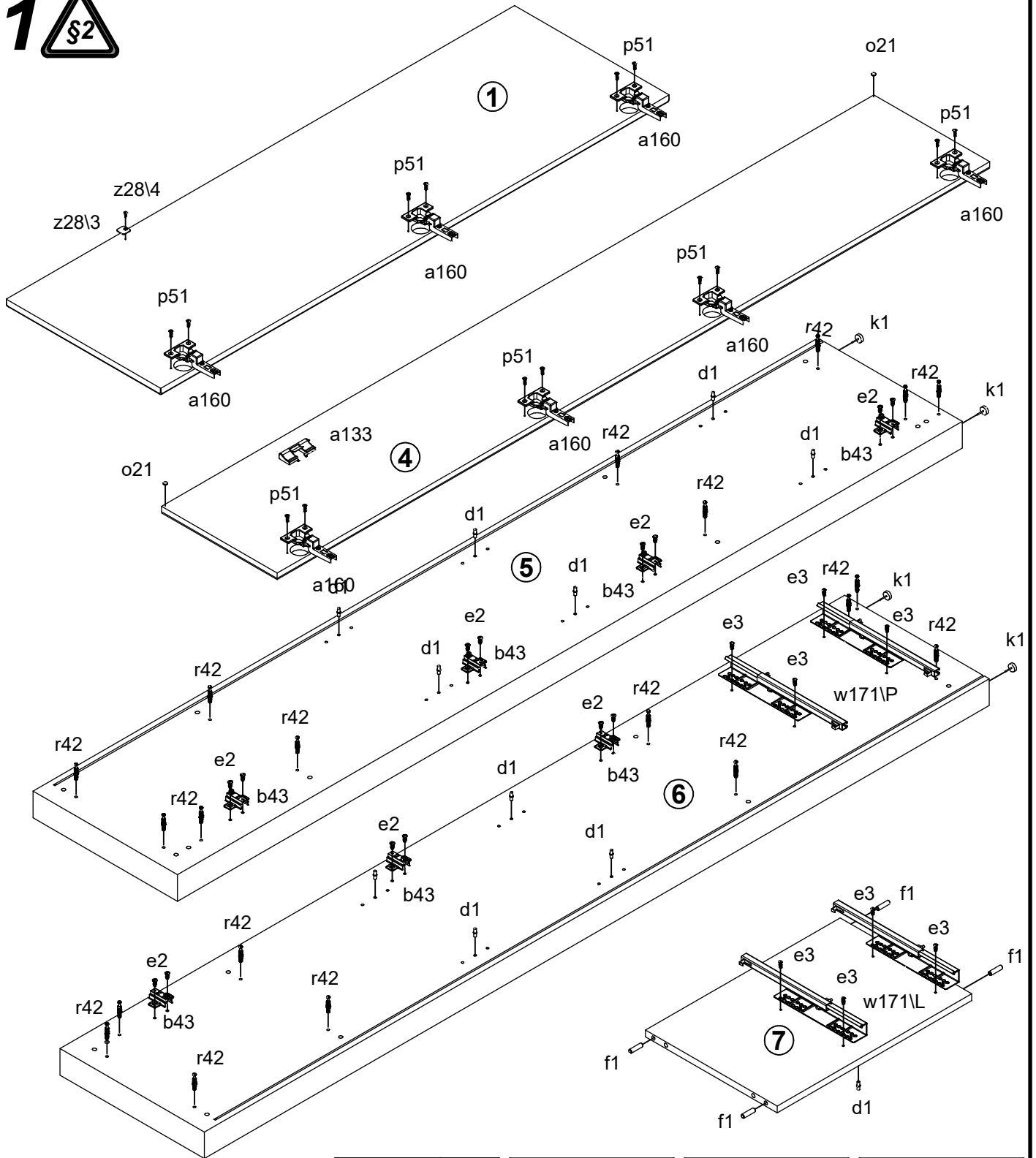


A	B	C	D	
1	S420-0030	1302	396	3/4
2	S420-0031	396	258	3/4
3	S420-0032	396	258	3/4
4	S420-0034	1824	296	4/4
5	S420-1032	2009	370	1/4
6	S420-1033	2009	370	1/4
7	S420-1034	498	337	2/4
8	S420-3036	701	353	2/4
9	S420-3037	701	337	2/4
10	S420-3038	701	337	2/4
11	S420-3039	700	317	2/4
12	S420-3040	292	317	2/4
13	S420-3041	701	369	2/4
14	S420-4058	701	78	2/4
15	S420-4059	701	60	2/4
16	S420-4060	381	233	3/4
17	S420-4061	381	156	3/4
18	S420-5018	701	37	2/4
19	S420-9023	363	307	2/4
20	S420-9308	1894	711	1/4
21	ZQ6-509	300	140	2/4
22	ZQ6-510	300	140	2/4
23	ZQ6-5157	353	127	3/4

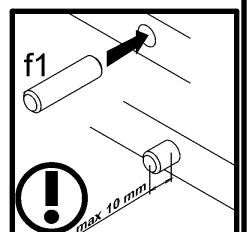
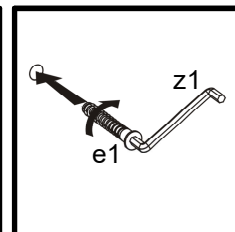
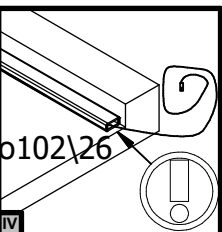
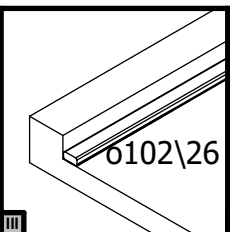
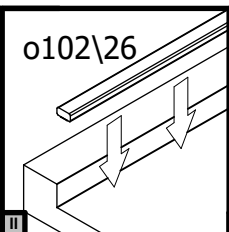
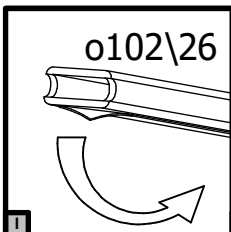
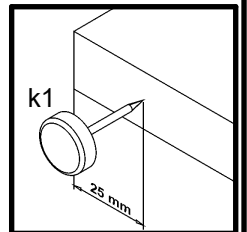
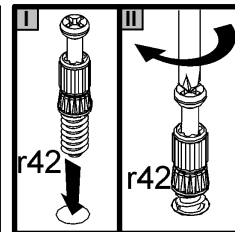
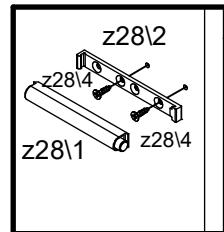
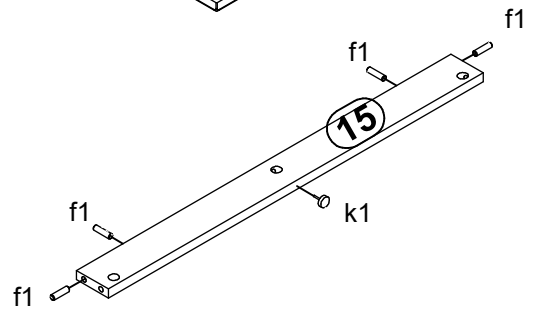
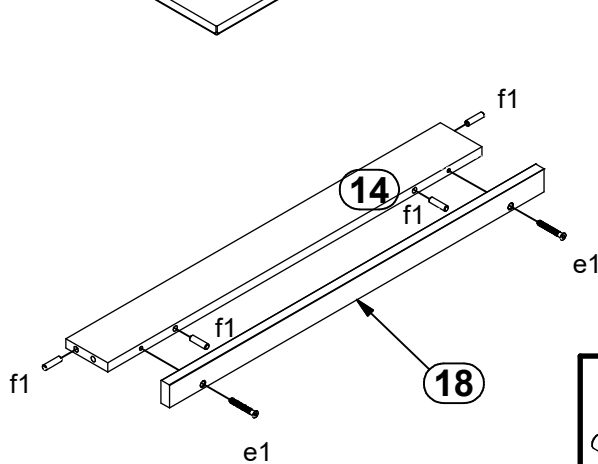
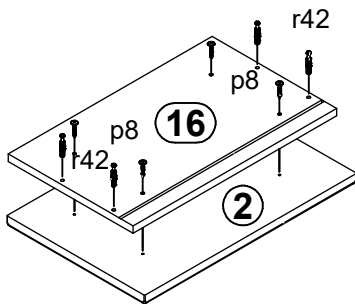
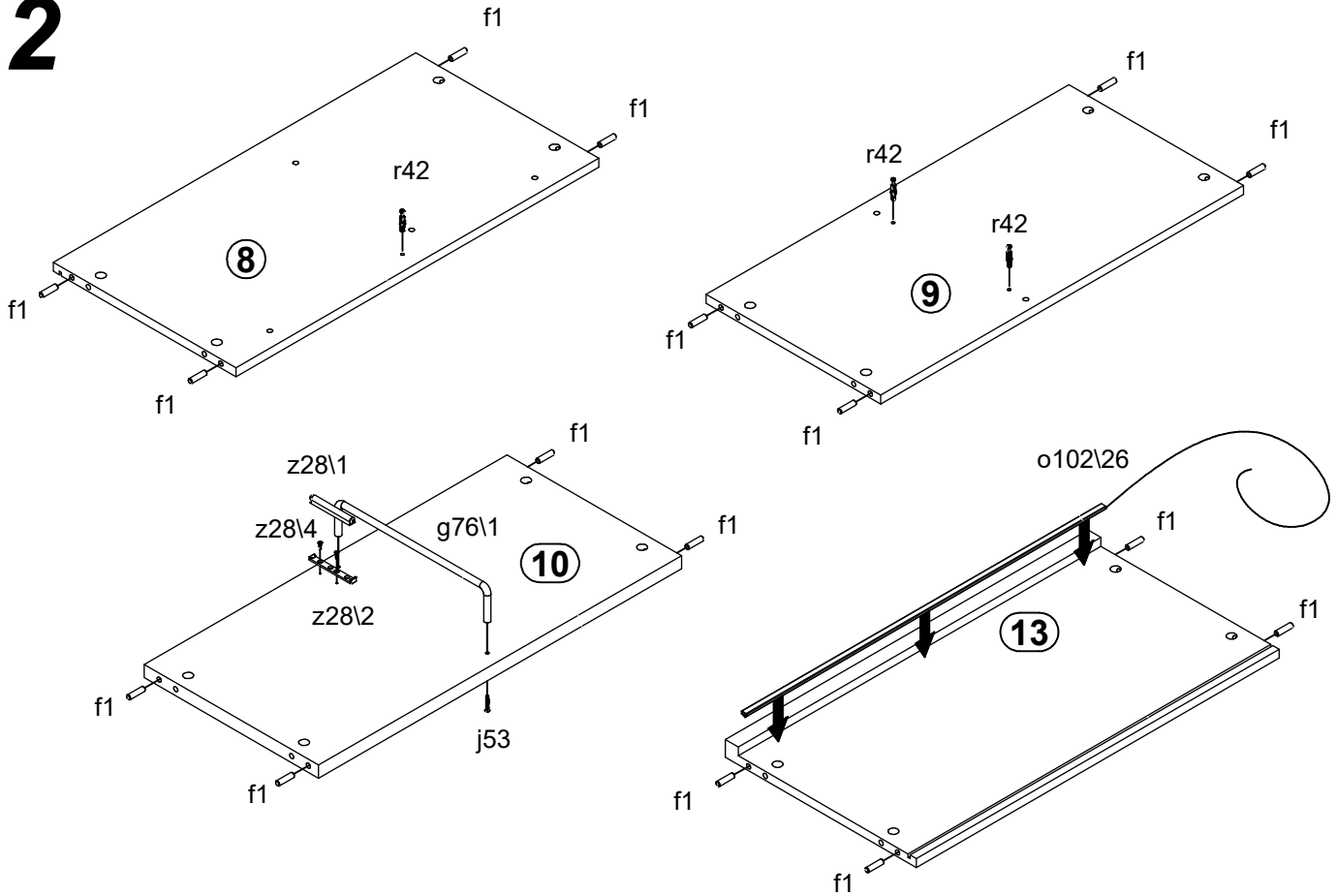


7x K 16 90° Ø35 <b>a160</b>	7x <b>b43</b>	12x Ø5x17 mm <b>d1</b>	4x Ø7x50 mm <b>e1</b>	14x Ø6.3x13 mm <b>e2</b>	8x Ø6x13 mm <b>e3</b>	28x Ø8x30 mm <b>f1</b>	8x Ø6.5x40 mm <b>f25</b>	1x L=285x60 <b>g76\1</b>
2x M4x25 mm <b>j53</b>	5x <b>k1</b>	14x <b>l2</b>	1x 10x18 mm <b>o83\4</b>	7x Ø3.5x16 mm <b>p38</b>	14x Ø3.5x15 mm <b>p51</b>	12x Ø2.9x16 mm <b>p55</b>	8x Ø4x25 mm <b>p8</b>	23x Ø15x12 mm #16 <b>r1</b>
8x Ø12x10.5 mm #12 <b>r15</b>	31x 20/11 <b>r42</b>	2x L=300 mm <b>w171\L</b>	2x L=300 mm <b>w171\P</b>	1x <b>z28\1</b>	1x 82x9.5x6.5mm <b>z28\2</b>	1x 20x20x1.5 mm <b>z28\3</b>	3x Ø3x12mm <b>z28\4</b>	2x <b>s1</b>
10x Ø 20mm <b>s68</b>	1x 4 mm <b>z1</b>	1x <b>n26\1</b>	1x <b>o70\9</b>	1x L=795 mm <b>o102\25</b>	2x silikon <b>o21</b>	1x <b>a133</b>		

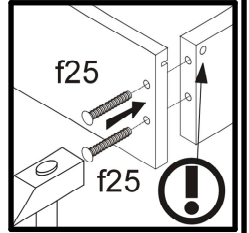
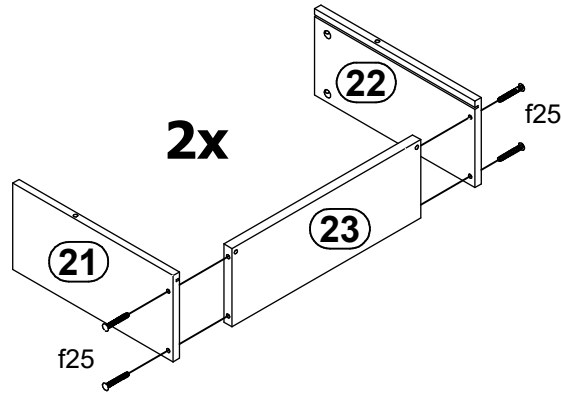
1 



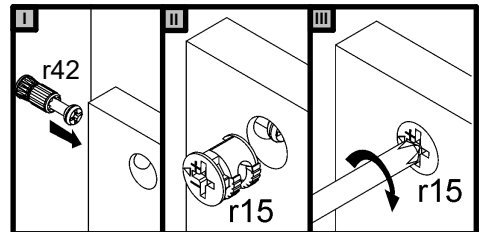
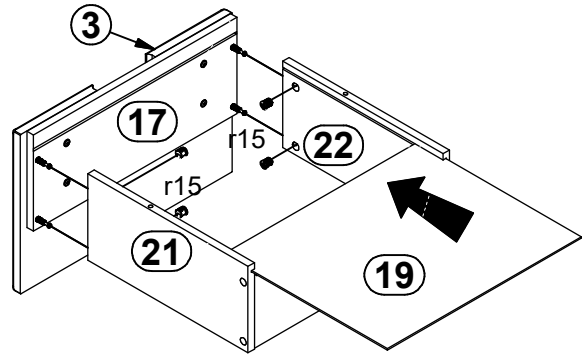
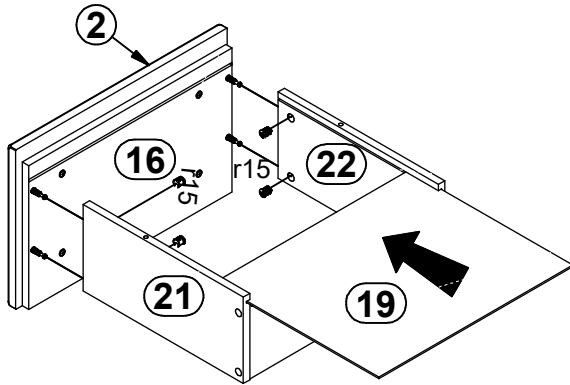
# 2



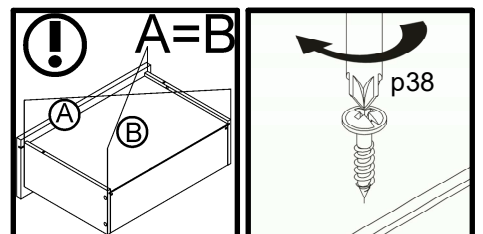
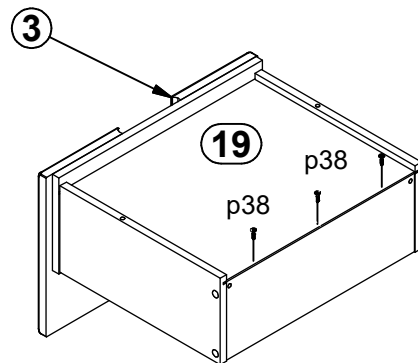
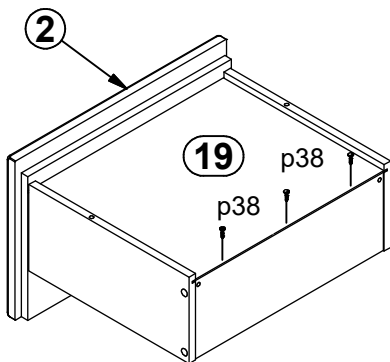
# 3



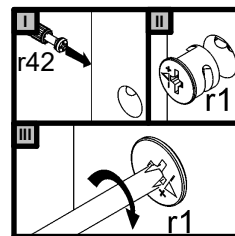
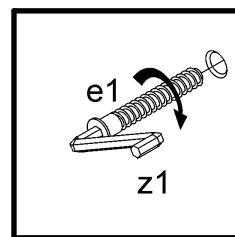
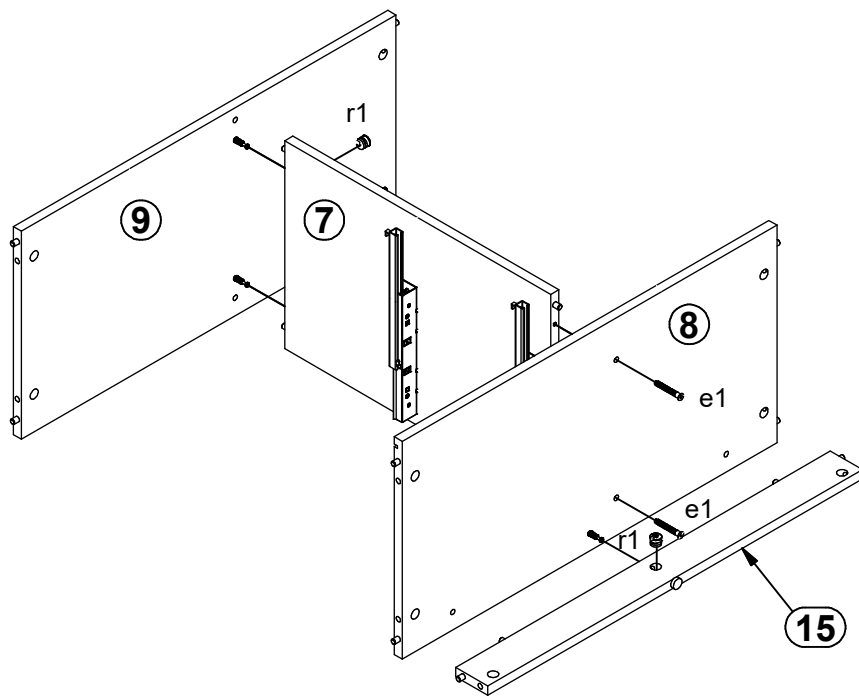
# 4



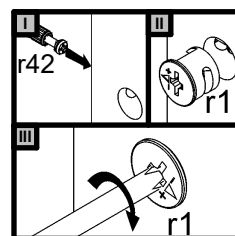
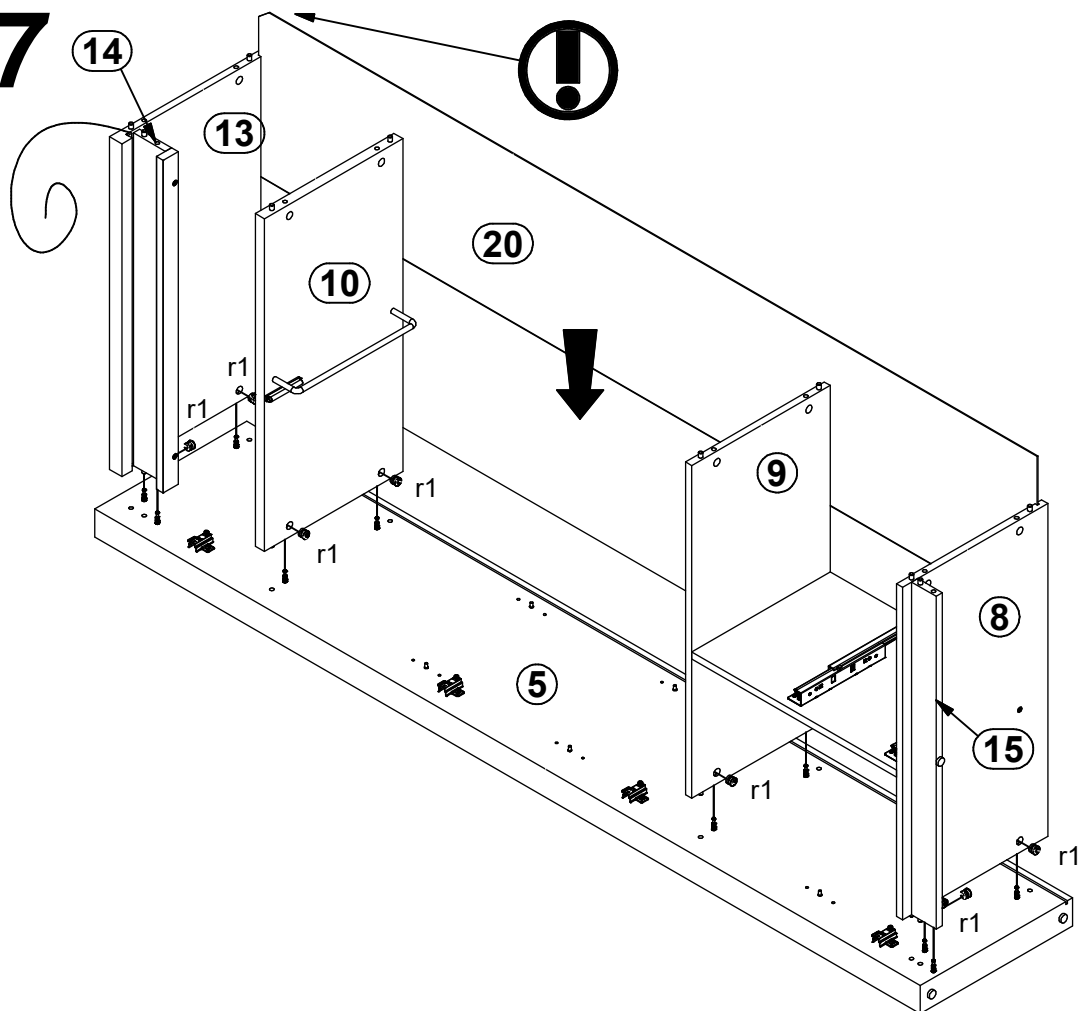
# 5



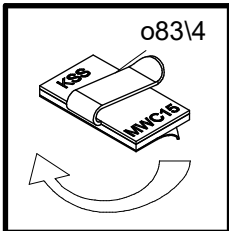
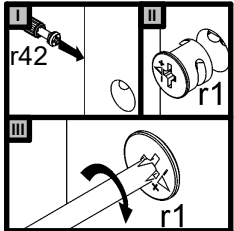
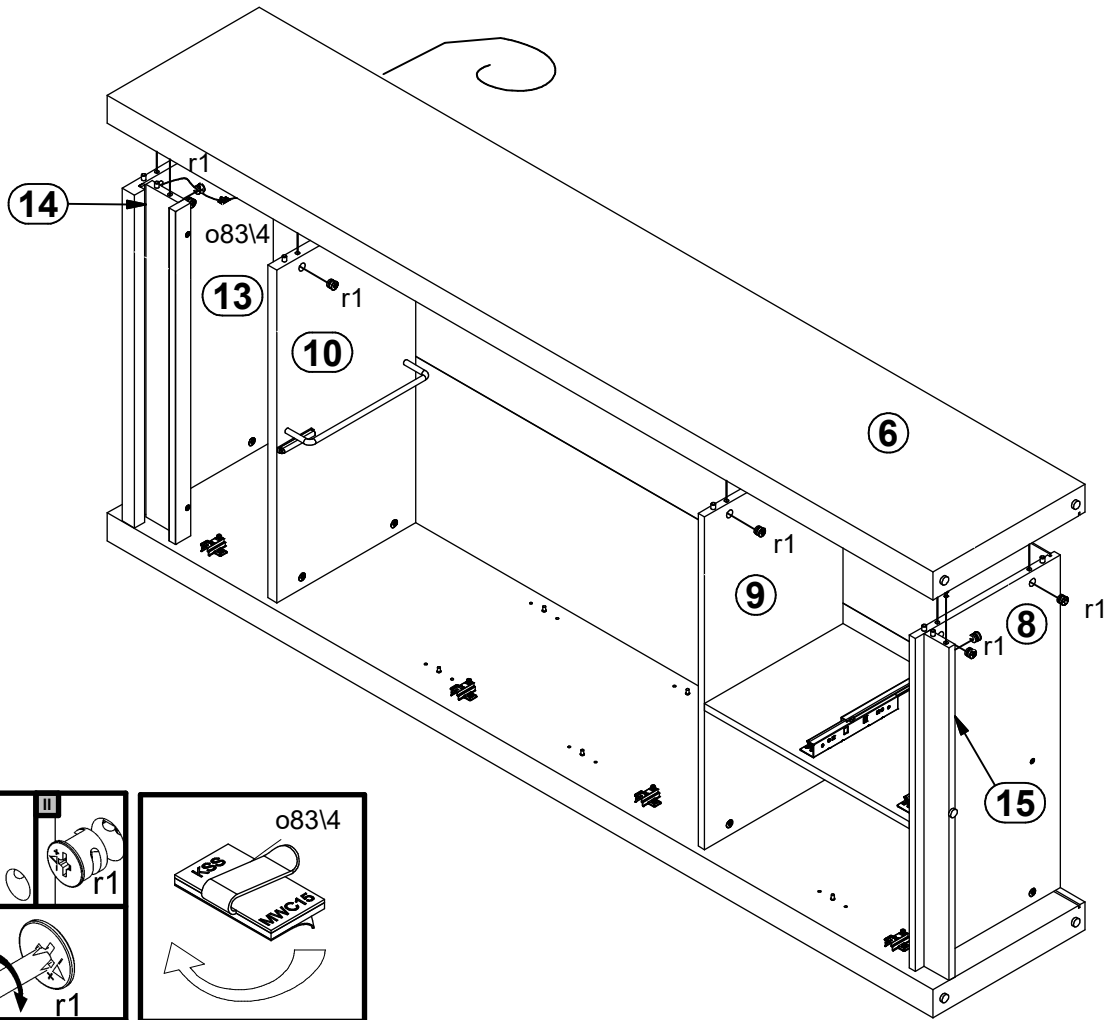
# 6



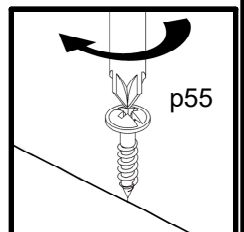
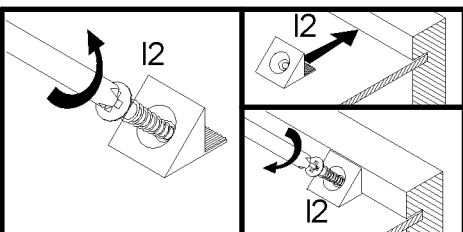
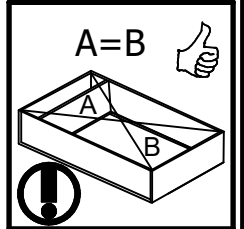
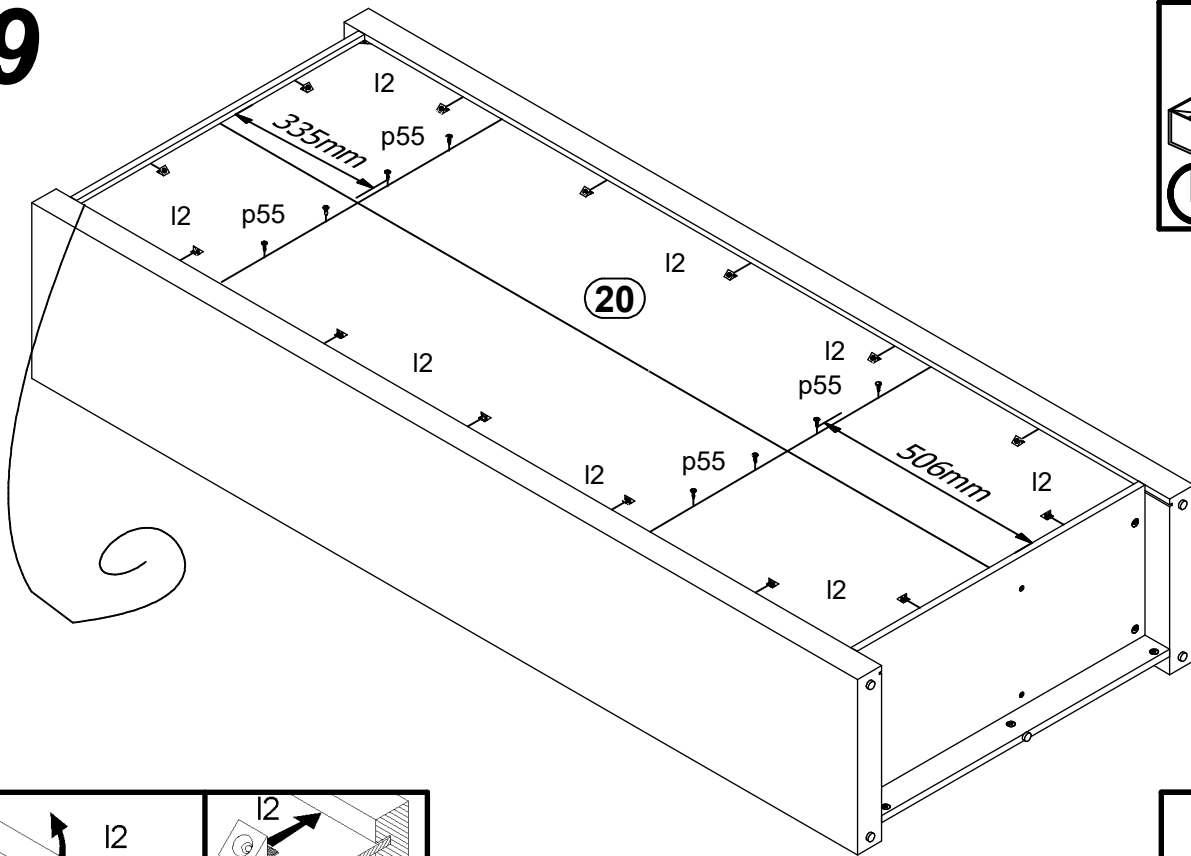
# 7



# 8



# 9



# 10

