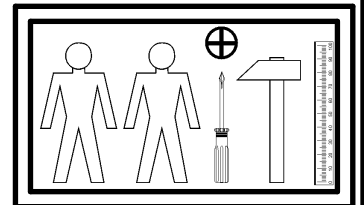
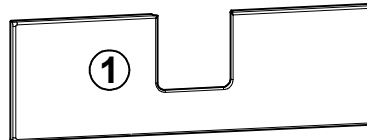
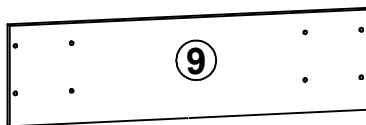
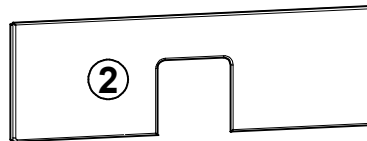
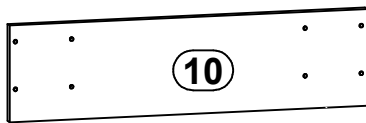
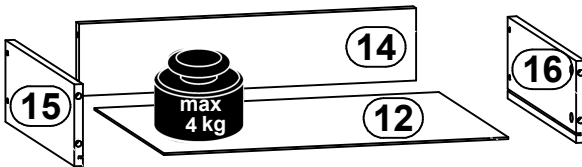
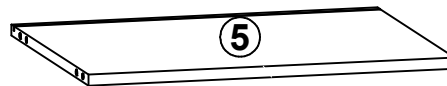
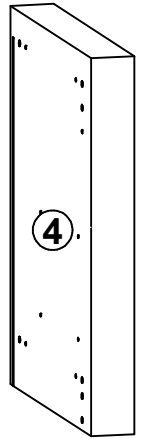
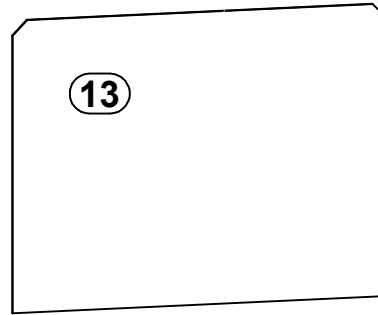
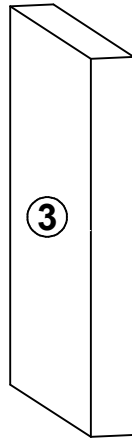
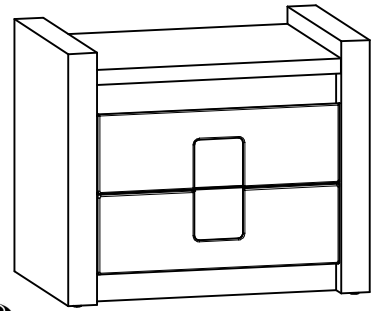


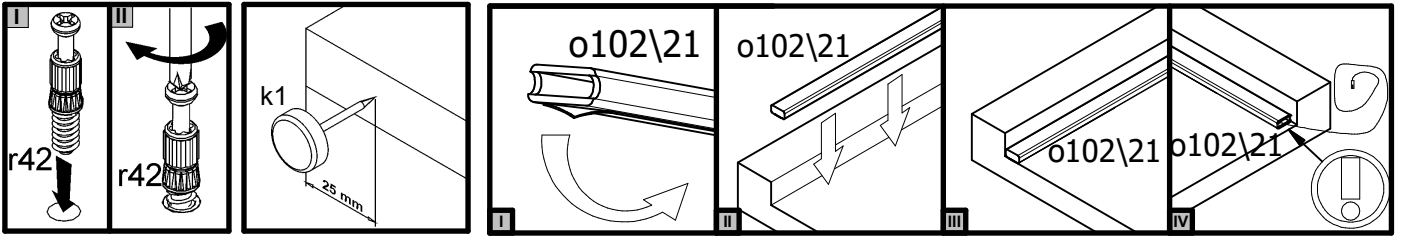
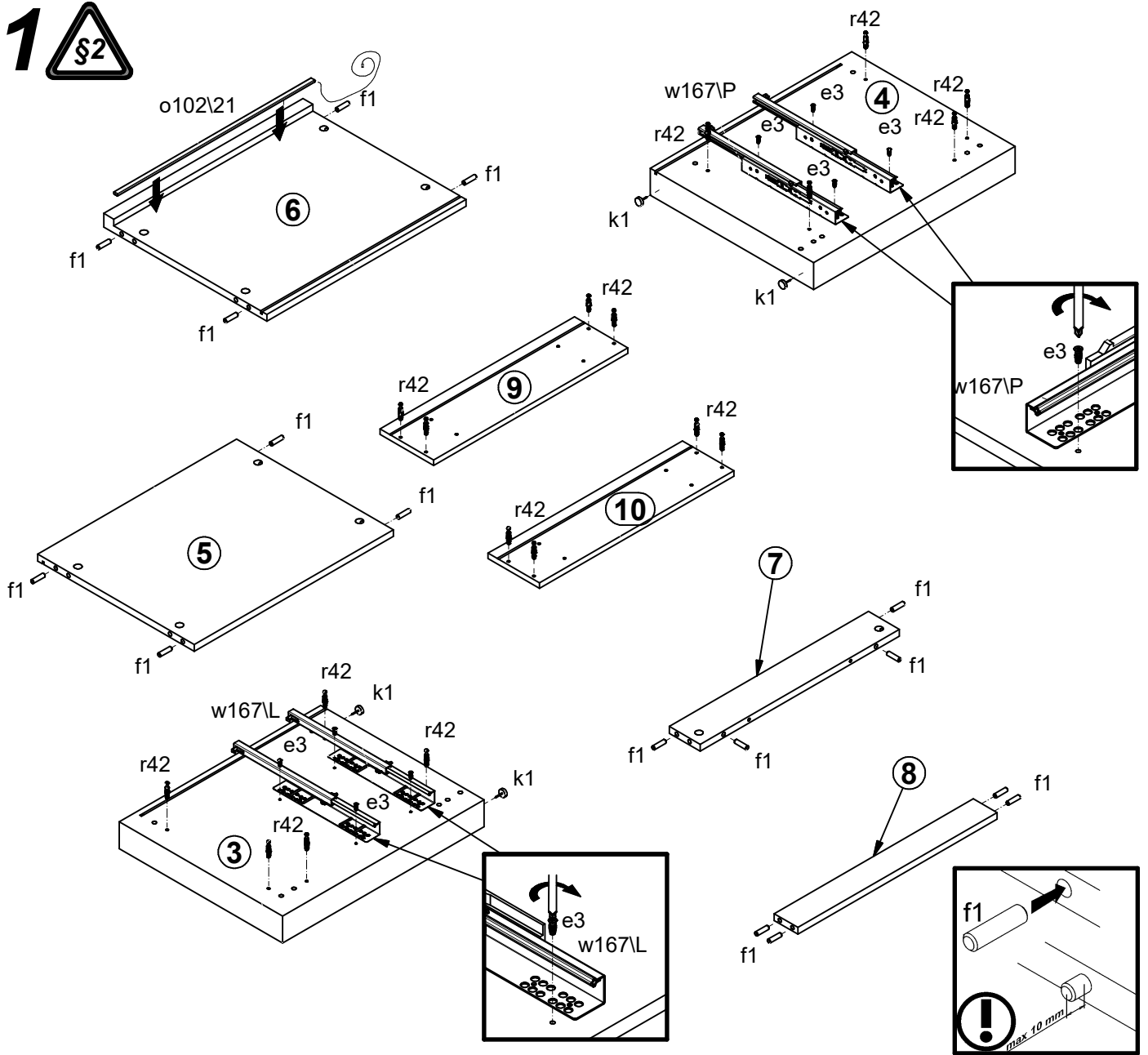
A	B	C	D	
1	S420-0021	496	160	1/1
2	S420-0022	496	160	1/1
3	S420-1021	508	412	1/1
4	S420-1022	508	412	1/1
5	S420-3022	502	395	1/1
6	S420-3023	502	411	1/1
7	S420-4035	502	78	1/1
8	S420-4036	502	60	1/1
9	S420-4037	490	135	1/1
10	S420-4038	490	130	1/1
11	S420-5011	502	37	1/1
12	S420-9015	472	355	1/1
13	S420-9016	393	513	1/1
14	ZQ6-5141	462	97	1/1
15	ZQ6-519	350	110	1/1
16	ZQ6-520	350	110	1/1



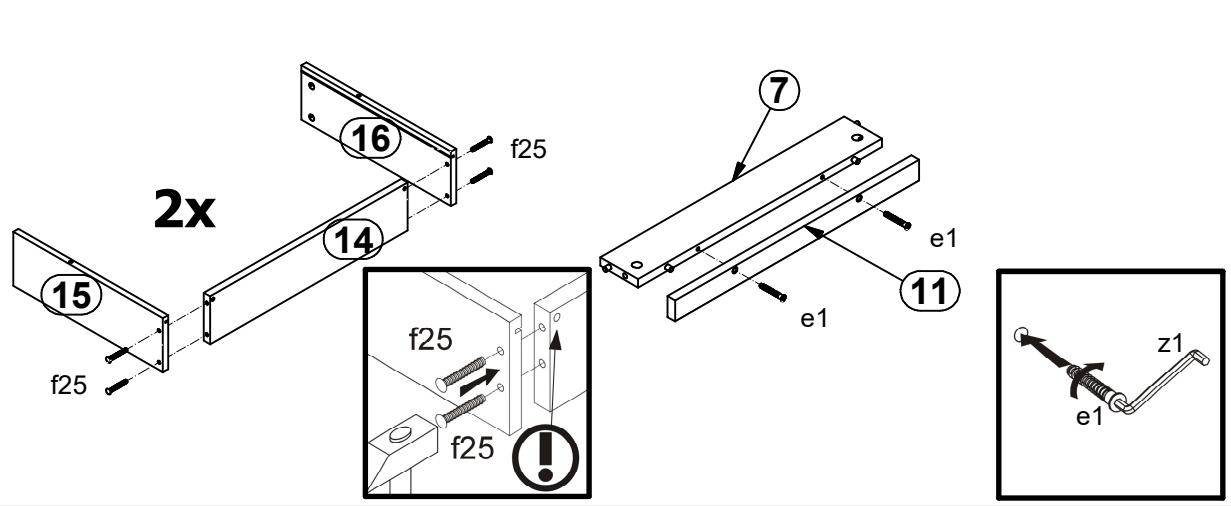
2x Ø7x50 mm e1	8x Ø6x13 mm e3	16x Ø8x30 mm f1	8x Ø6.5x40 mm f25	4x k1	4x l2	1x Ø70/9	1x 10x18 mm Ø83/4	1x L=497 mm Ø102/21
8x Ø4x25 mm p8	6x Ø3.5x16 mm p38	4x Ø2.9x16 mm p55	10x Ø15x12 mm #16 r1	8x Ø12x10.5 mm #12 r15	18x 20/11 r42	2x 350mm w167/P	2x 350mm w167/L	1x 4 mm z1

1x n26	1x Ø3.5x16 mm p38
-----------	-------------------------

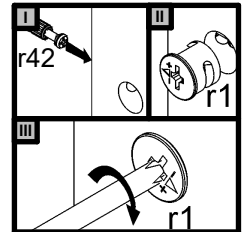
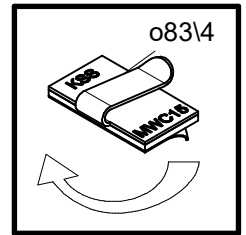
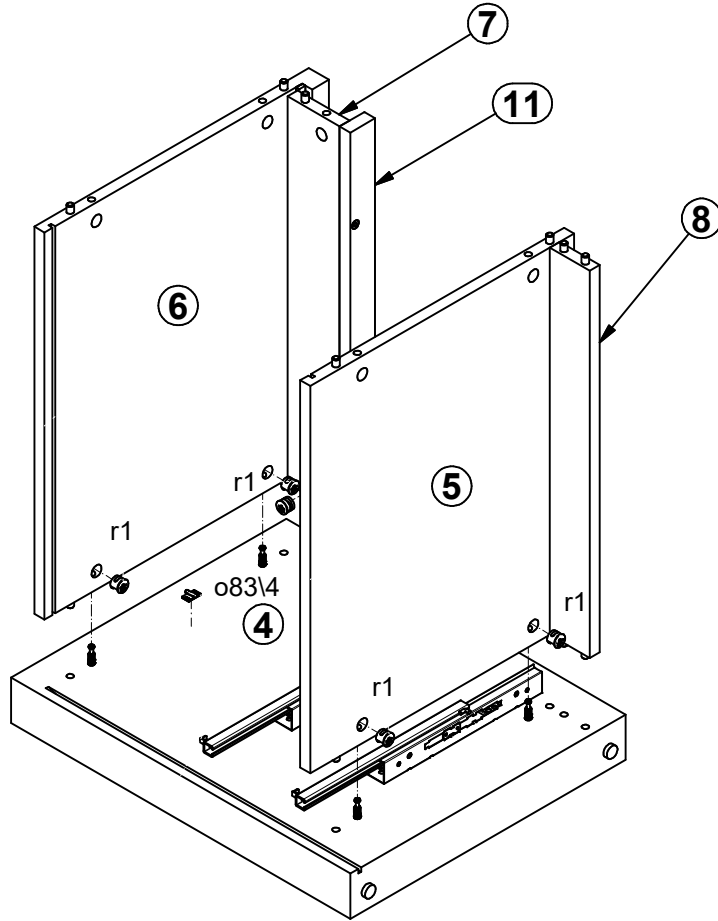
# 1 §2



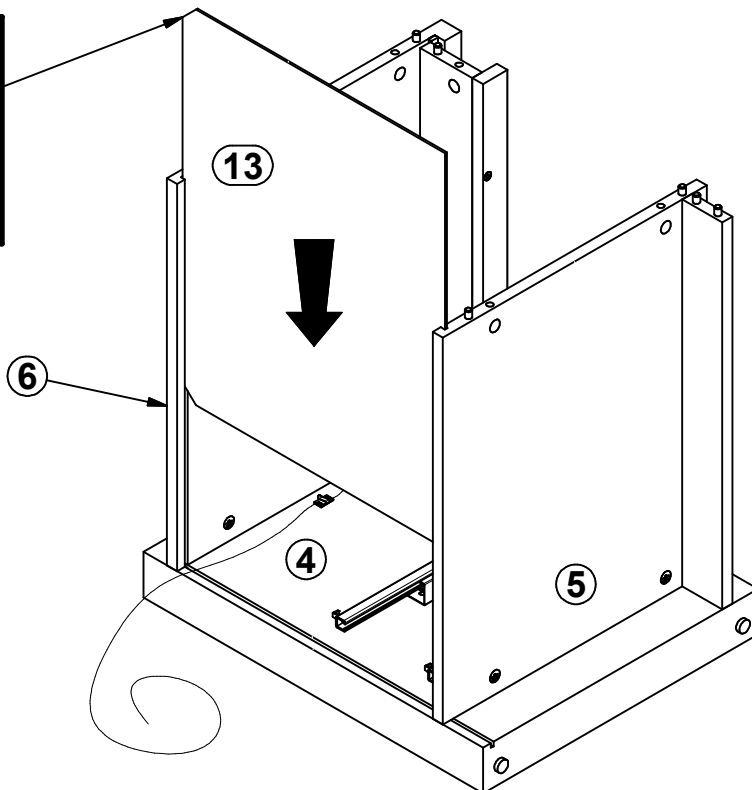
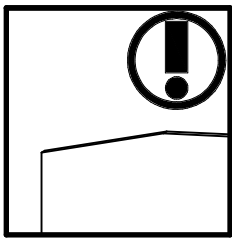
# 2 §6



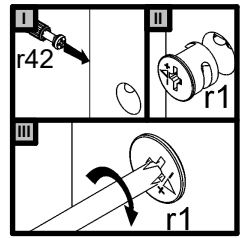
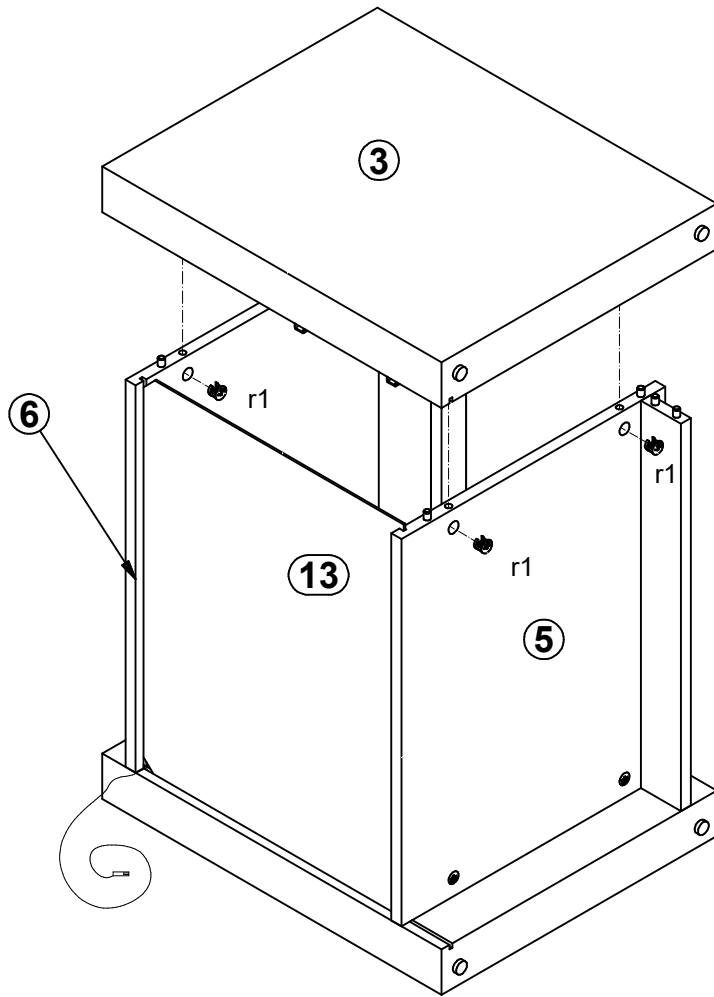
# 3



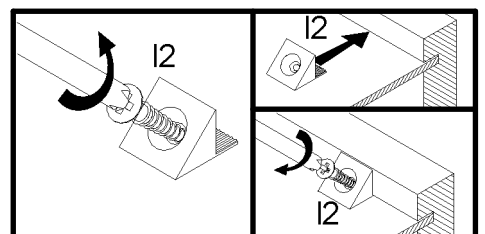
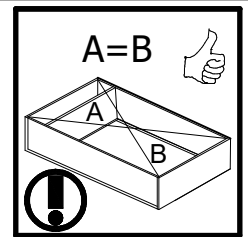
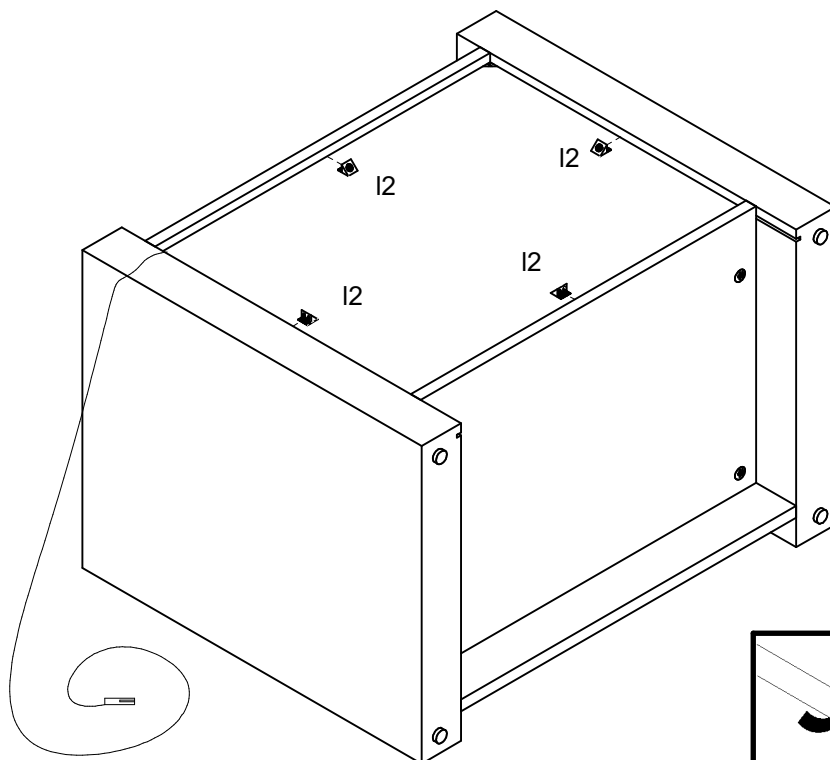
# 4



# 5

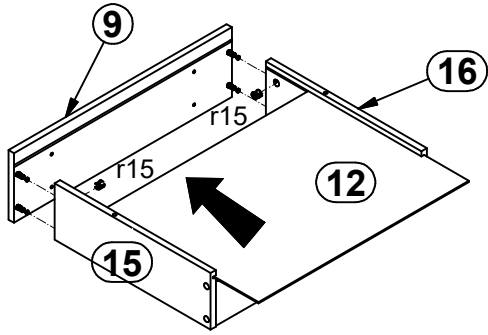


# 6

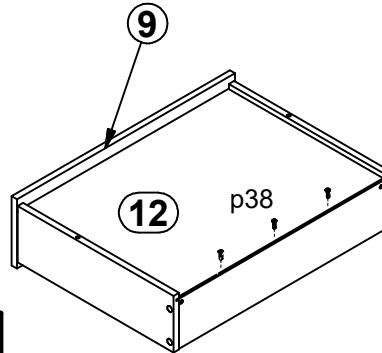


# 7A

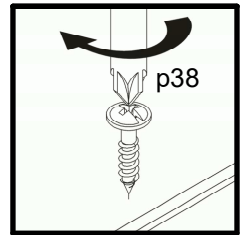
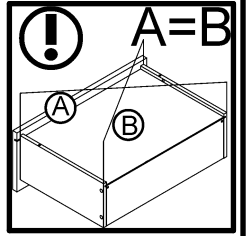
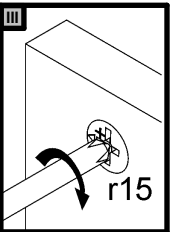
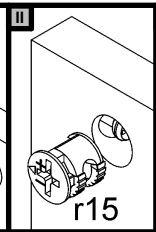
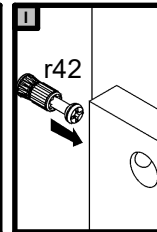
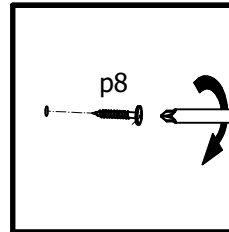
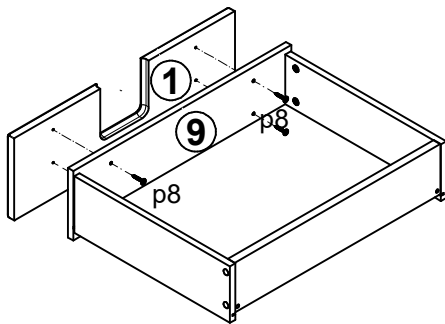
I



II

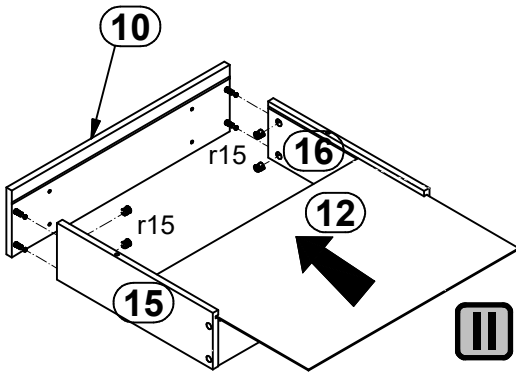


III

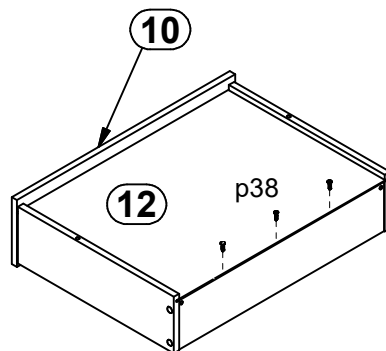


# 7B

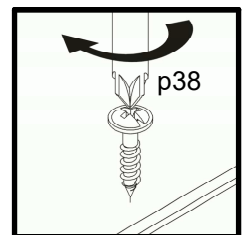
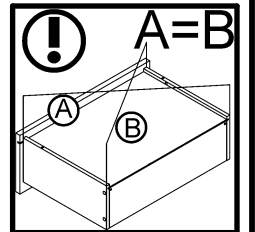
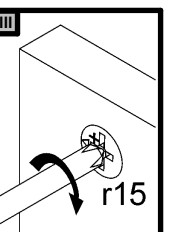
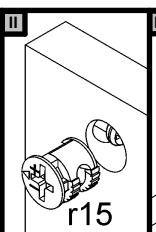
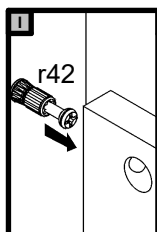
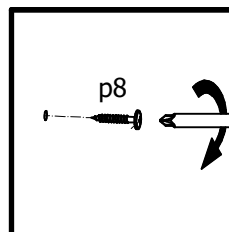
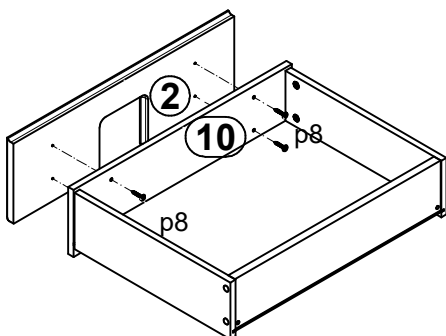
I



II



III



# 8

