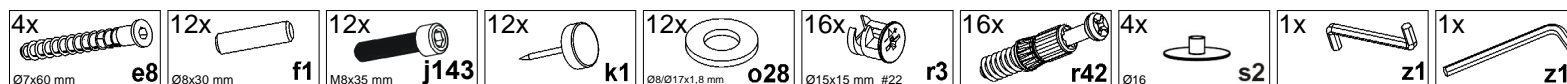
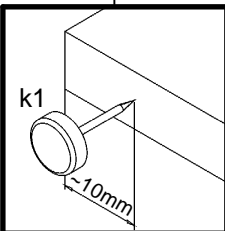
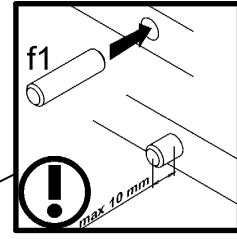
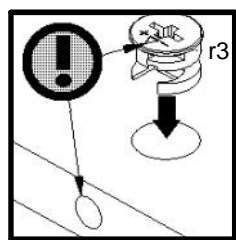
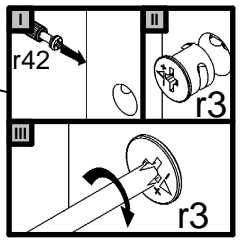
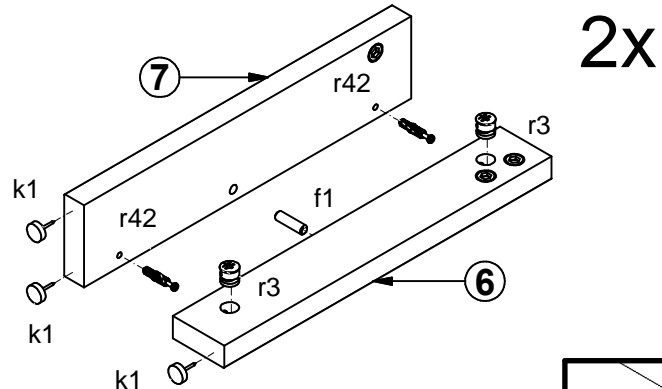
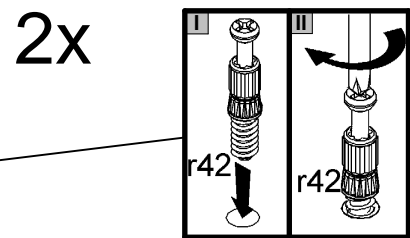
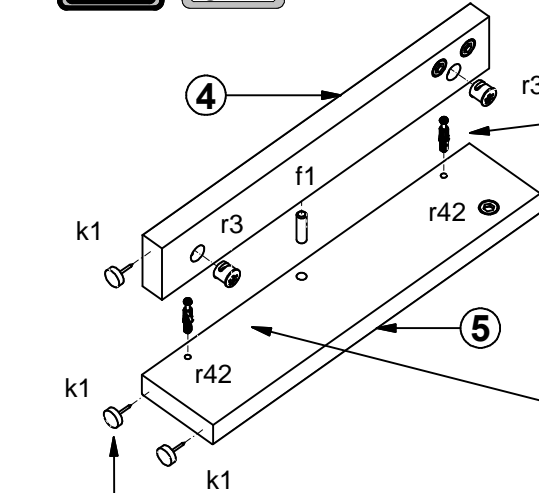
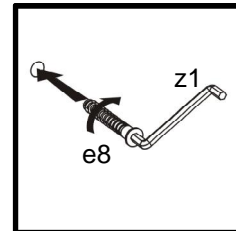
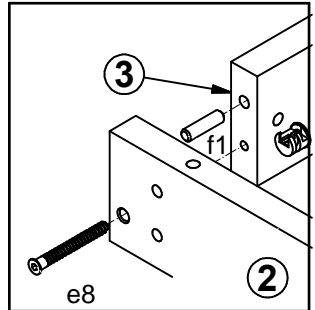
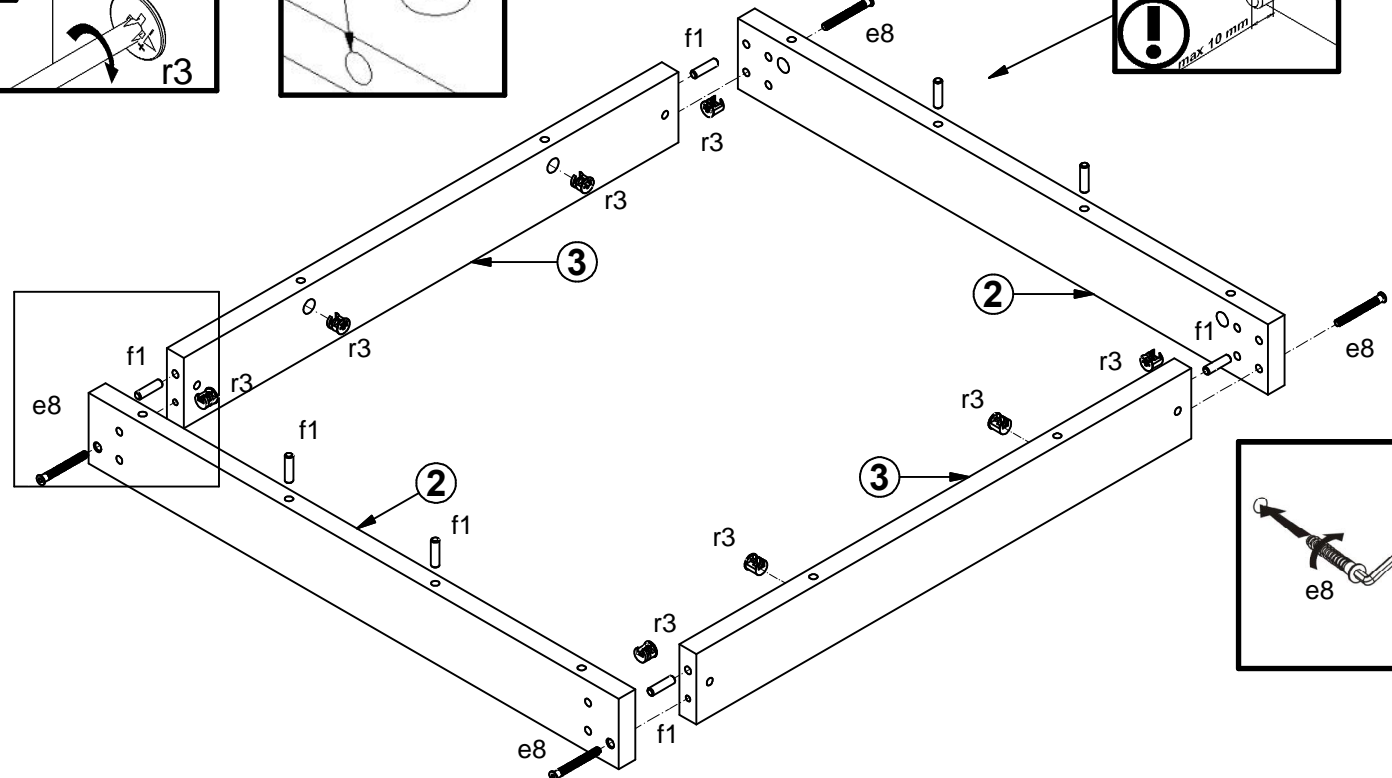


A	B	C (mm)		D
1	S214-2002	750	750	1/1
2	S214-4001	695	80	1/1
3	S214-4002	649	80	1/1
4	S214-5528	368	58,	1/1
5	S214-5529	368	80	1/1
6	S214-5530	368	58,	1/1
7	S214-5531	368	80	1/1

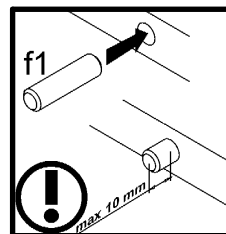
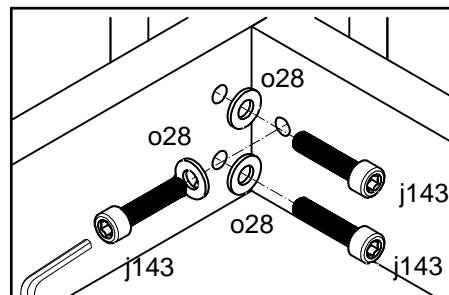
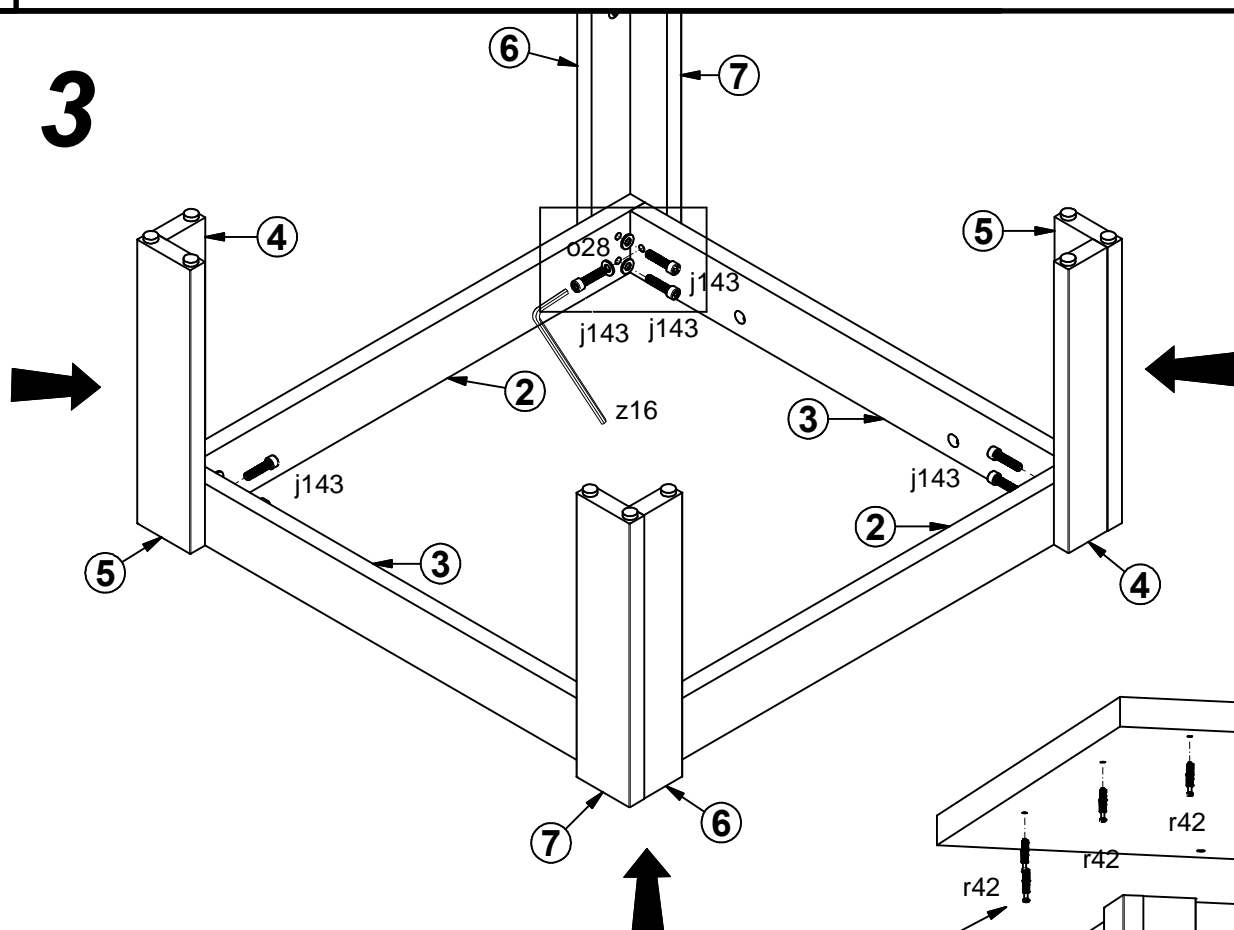




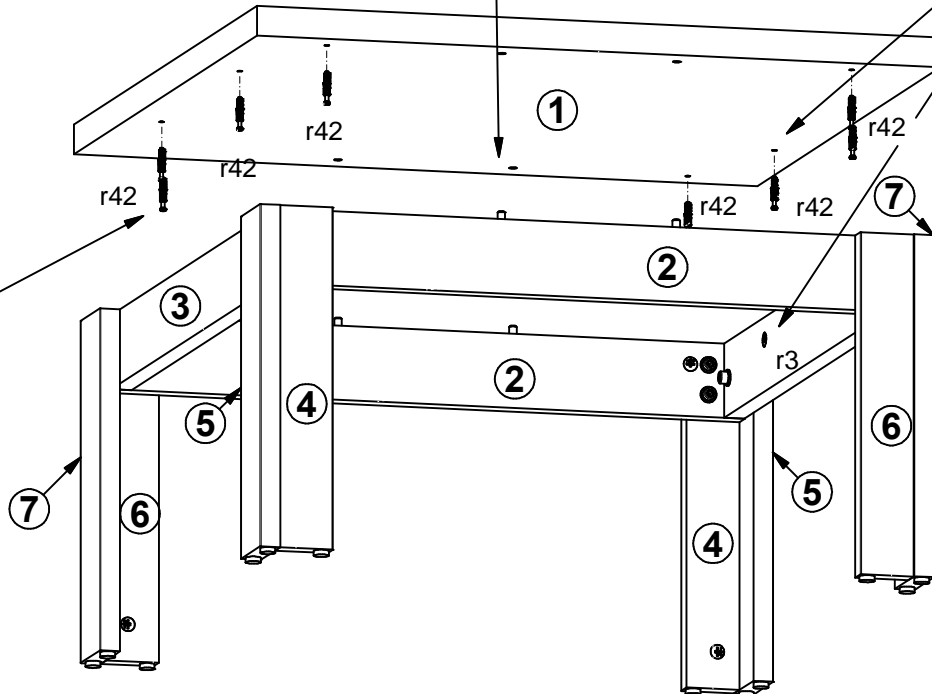
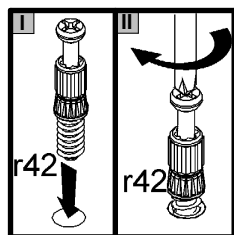
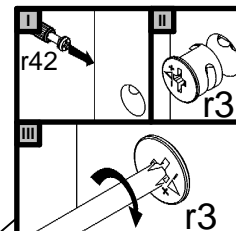
**2**



3



4



5

