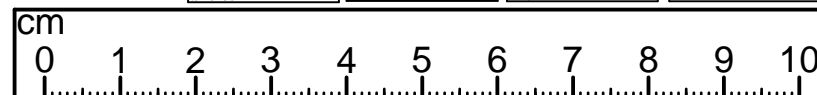
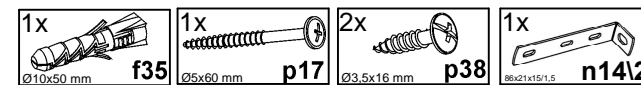
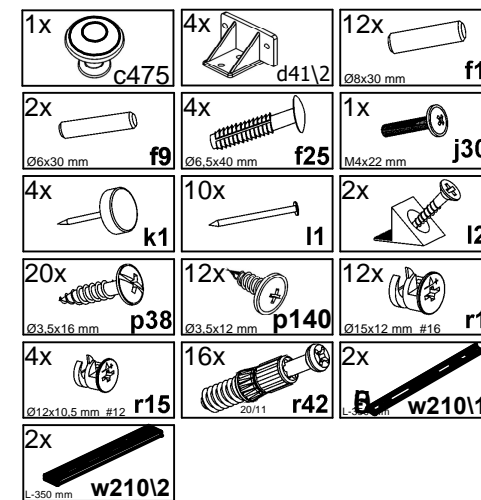
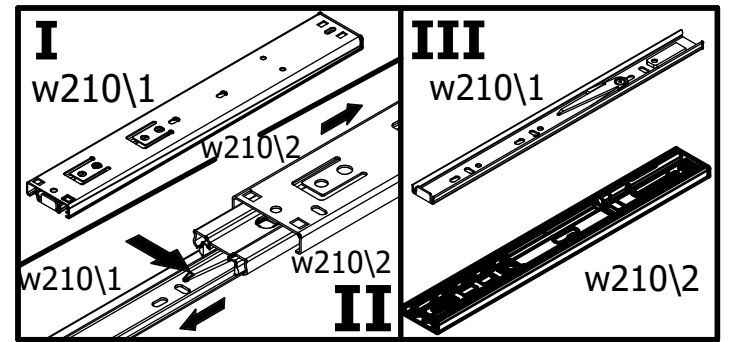
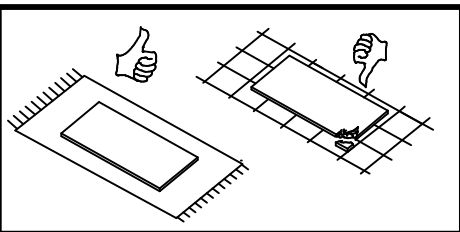
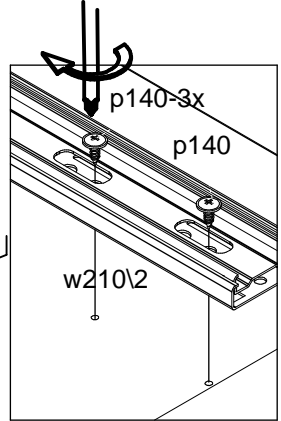
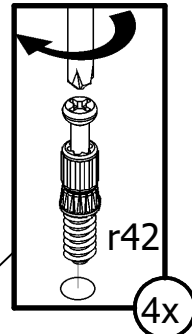
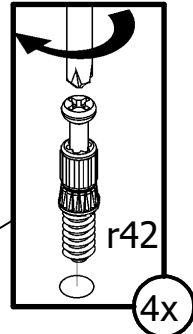
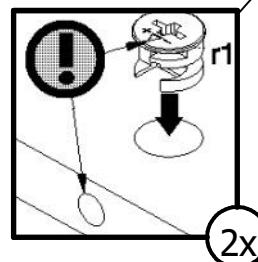
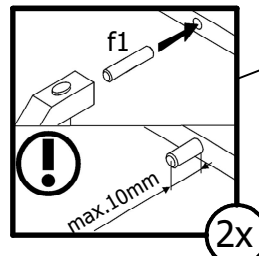
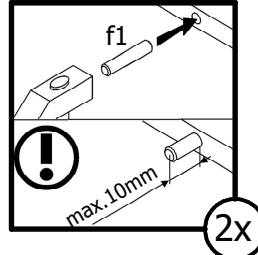
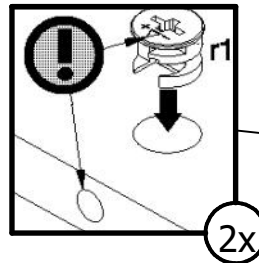
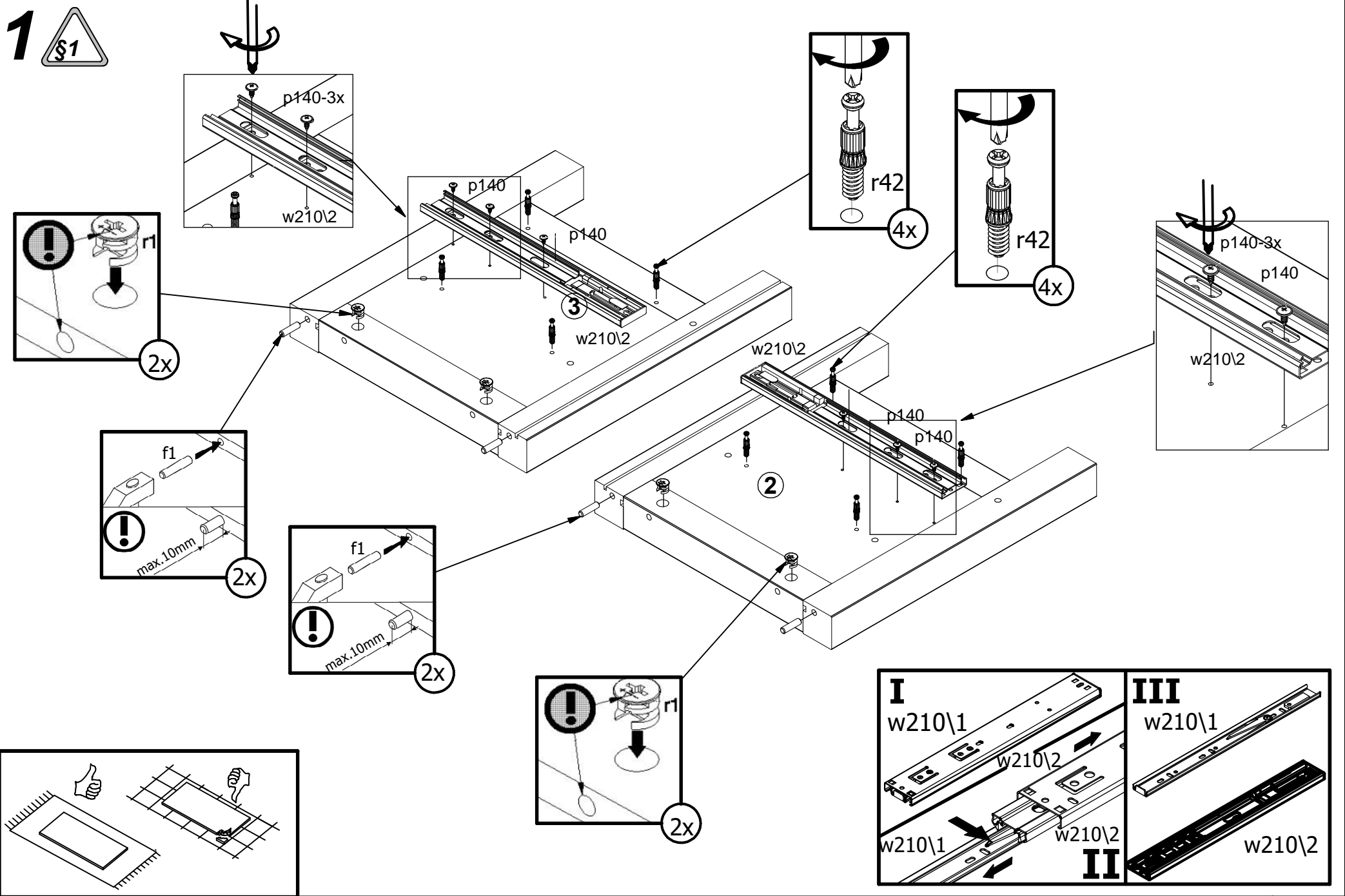
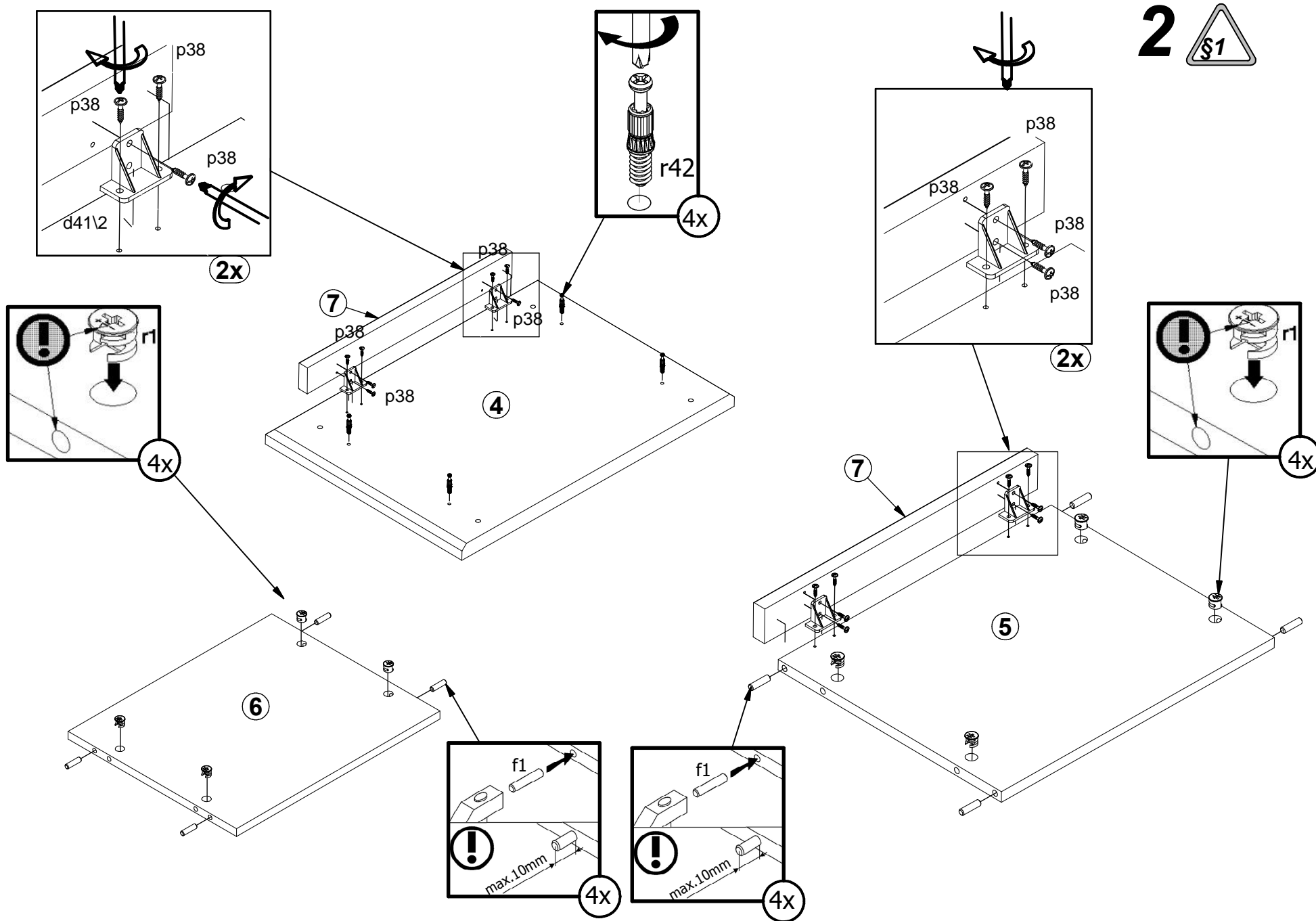


A	B	C1	C2	C3	D
1	S515-0010	445	160	15	1/1
2	S515-1016	462	413	50	1/1
3	S515-1017	462	413	50	1/1
4	S515-2006	600	438	28	1/1
5	S515-3012	451	373	15	1/1
6	S515-3013	451	373	15	1/1
7	S515-5205	451	50	19	1/1
8	S515-9005	460	177	2.5	1/1
9	WSP-9049	412	358	2.5	1/1
10	ZK3-5079	401	97	15	1/1
11	ZK4-523	350	110	12	1/1
12	ZK4-524	350	110	12	1/1

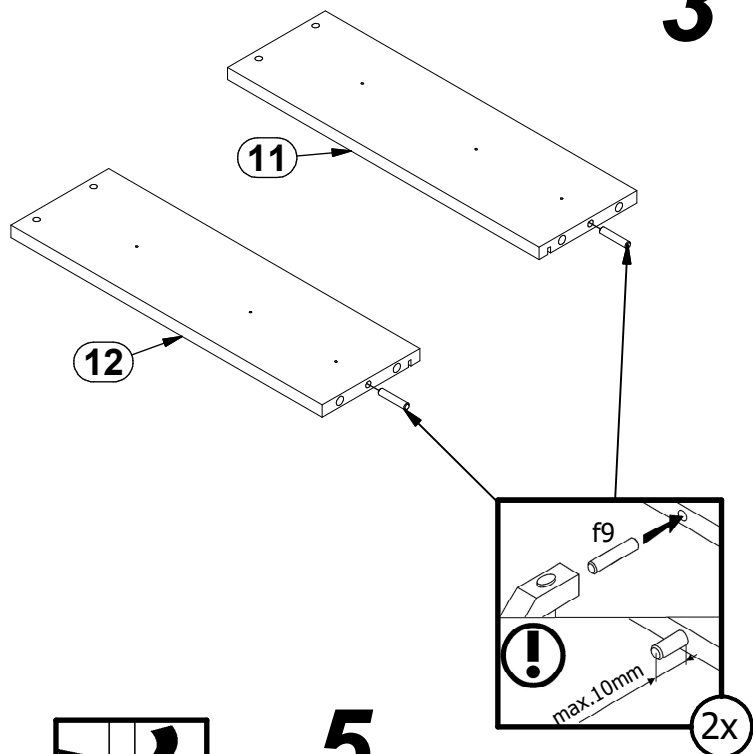


1

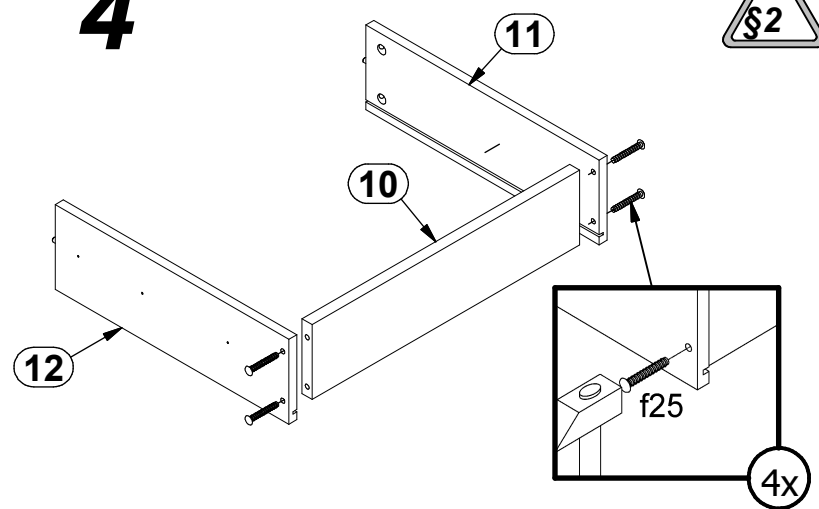




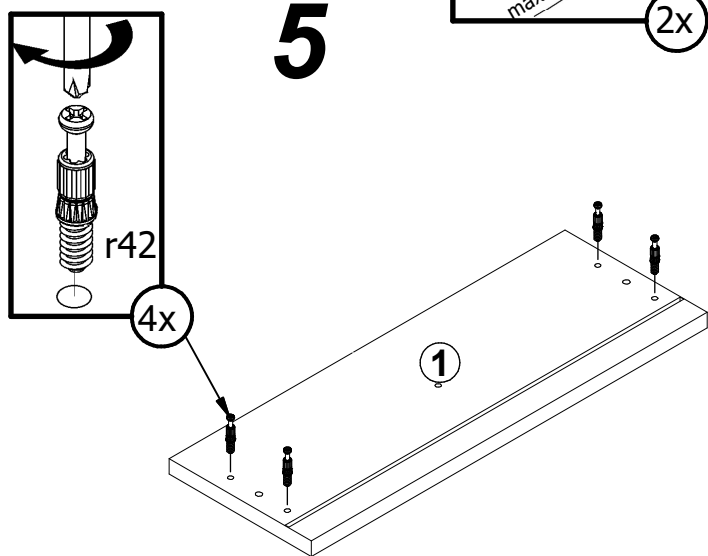
3



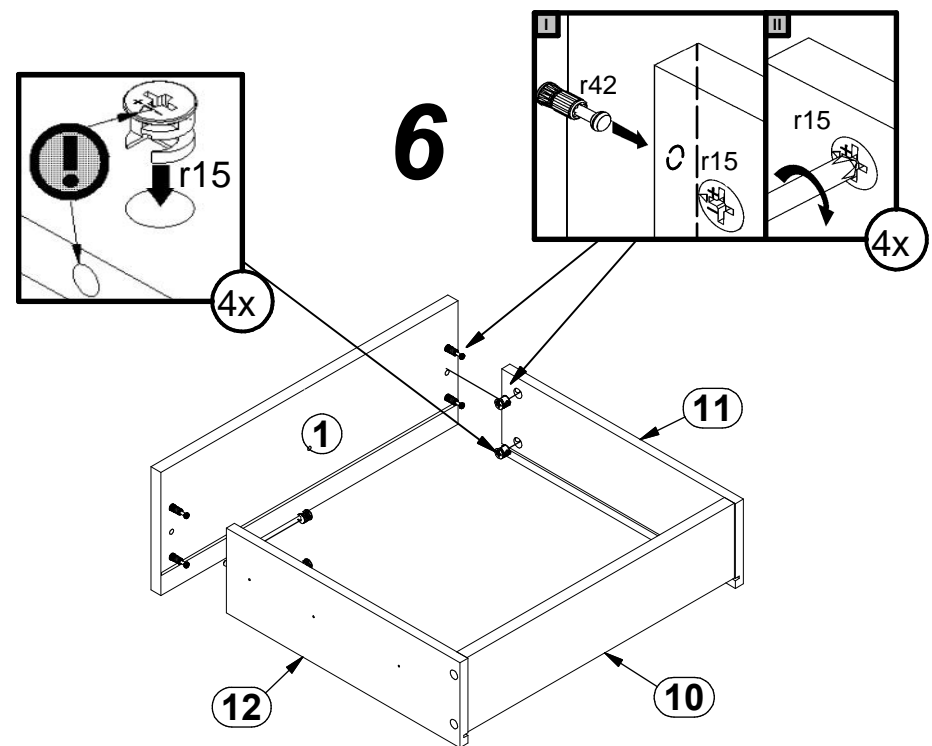
4

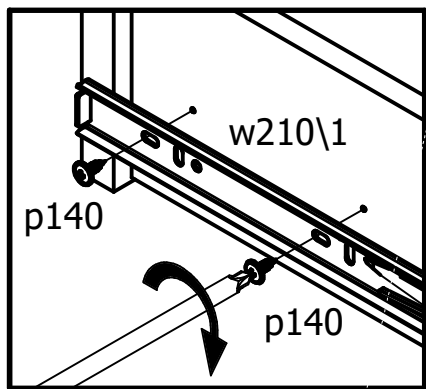
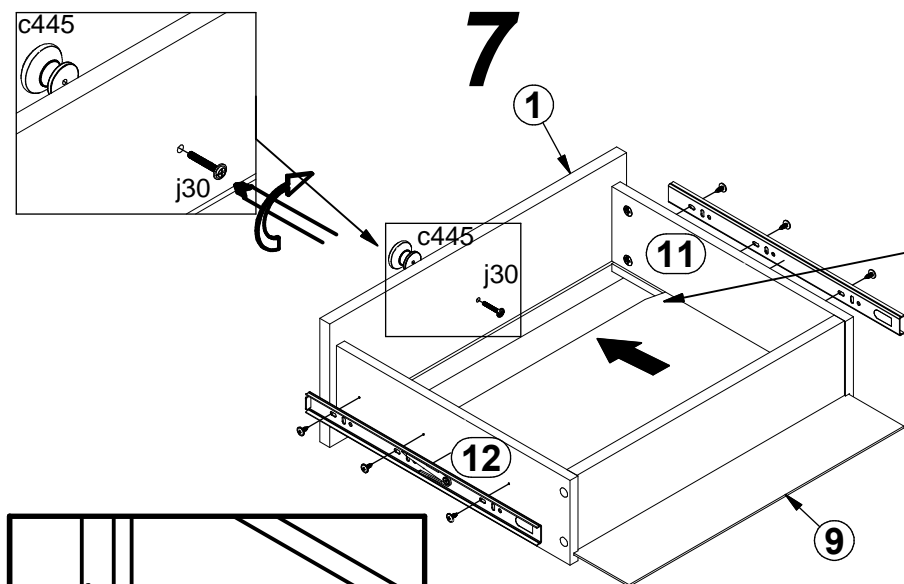


5

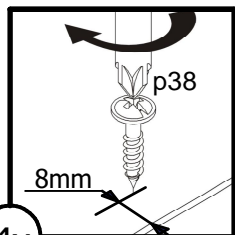


6



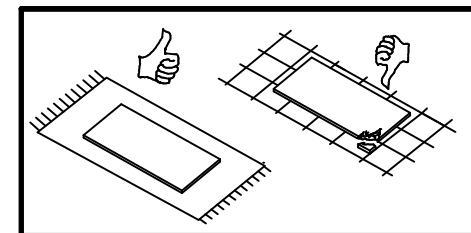
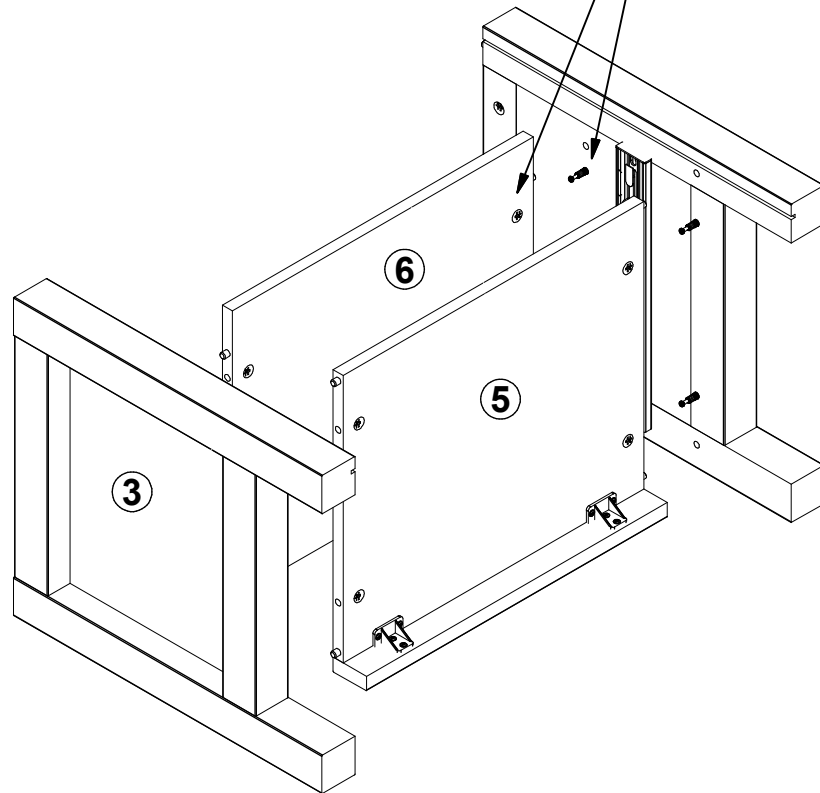
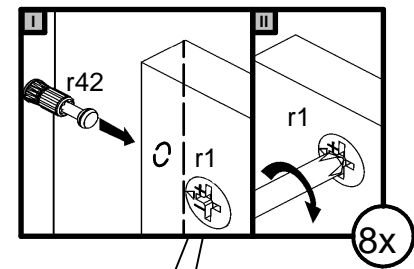
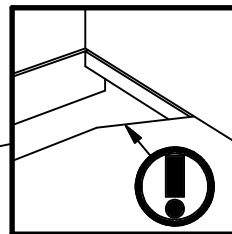
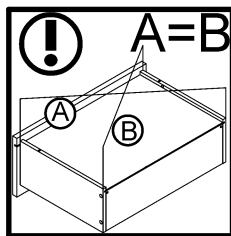
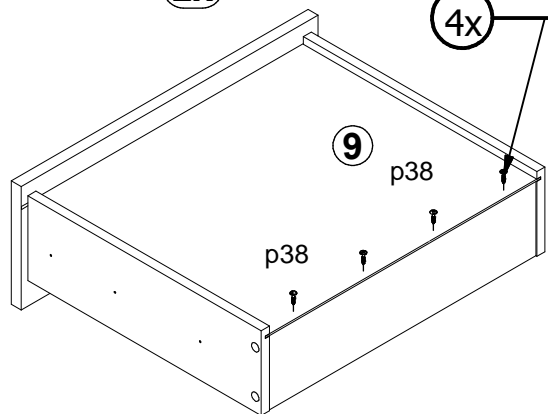


2x

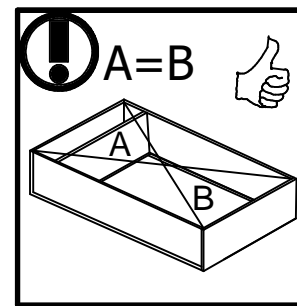
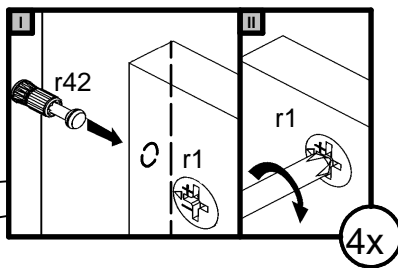
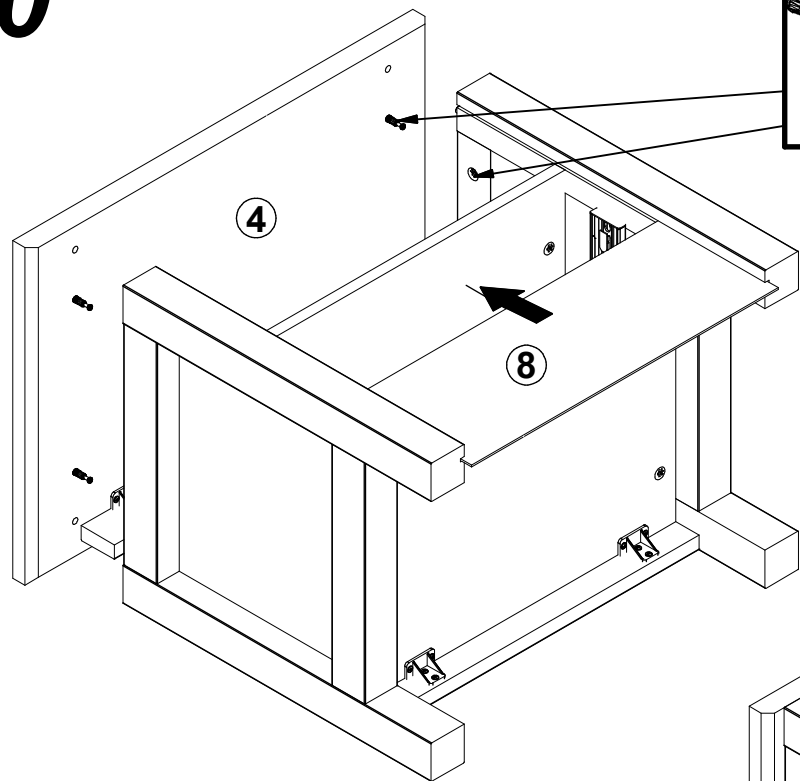


4x

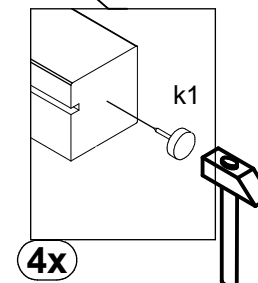
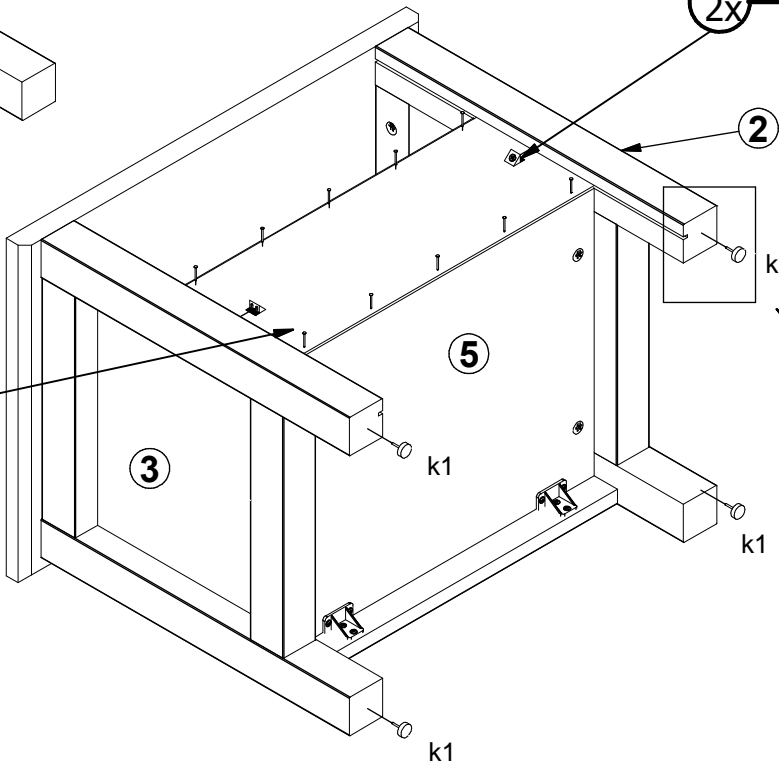
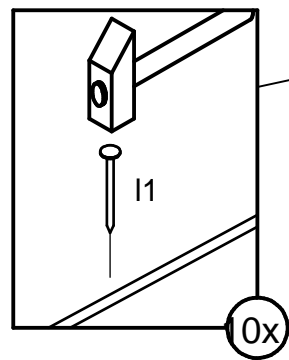
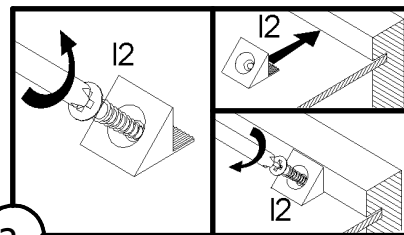
8



10



11



12

