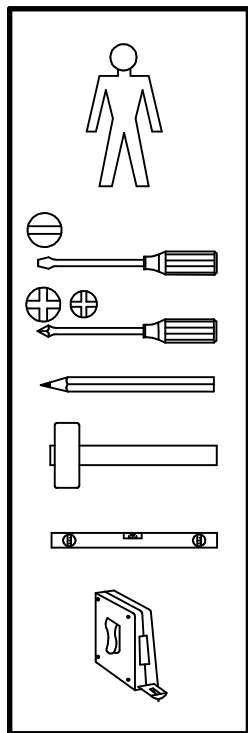
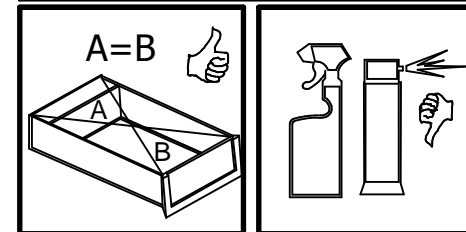
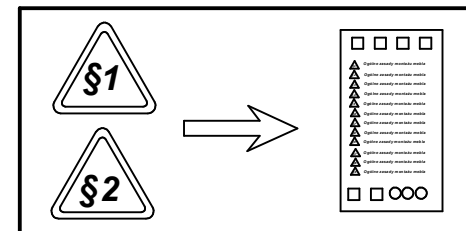
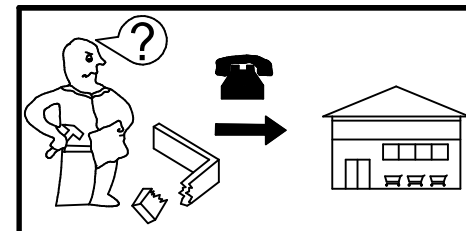
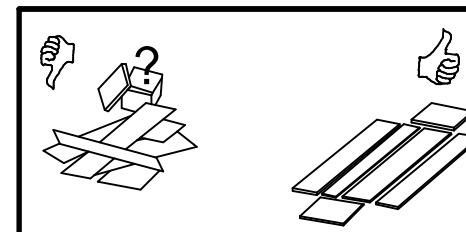
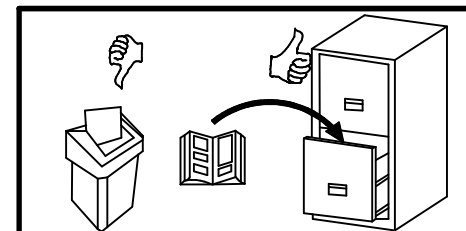
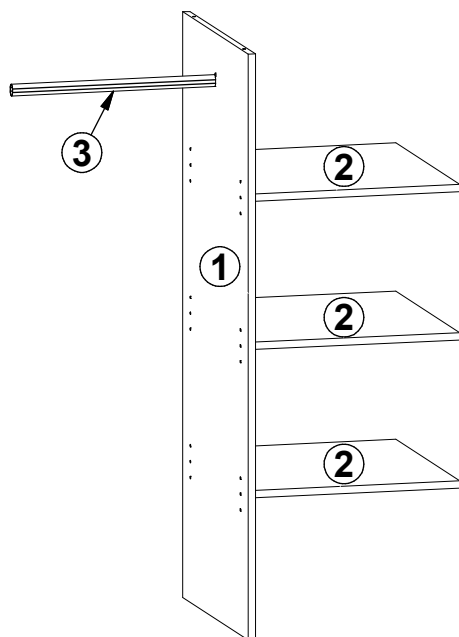


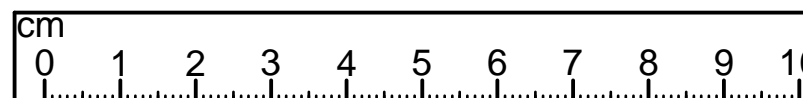
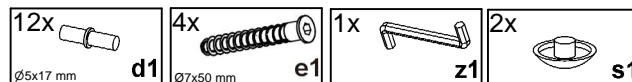
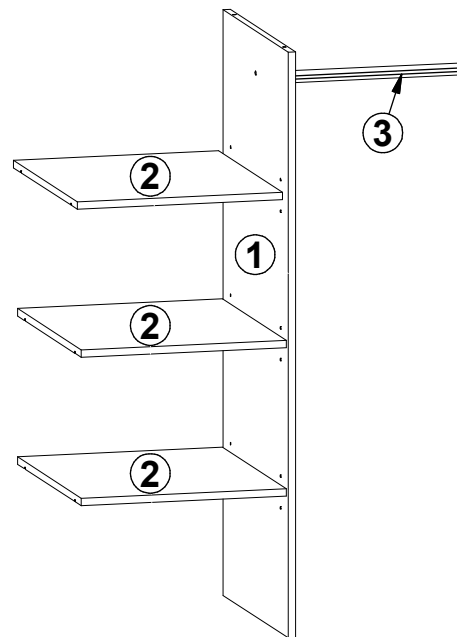
| A | B | C1 | C2 | C3 | D |
|---|-----------|------|-----|----|-----|
| 1 | S515-1024 | 1181 | 501 | 15 | 1/1 |
| 2 | S515-3019 | 422 | 491 | 15 | 1/1 |
| 3 | dr-418 | 418 | 22 | 15 | 1/1 |



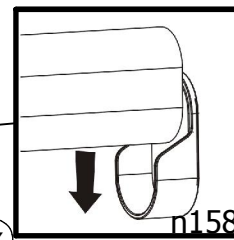
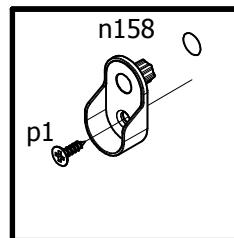
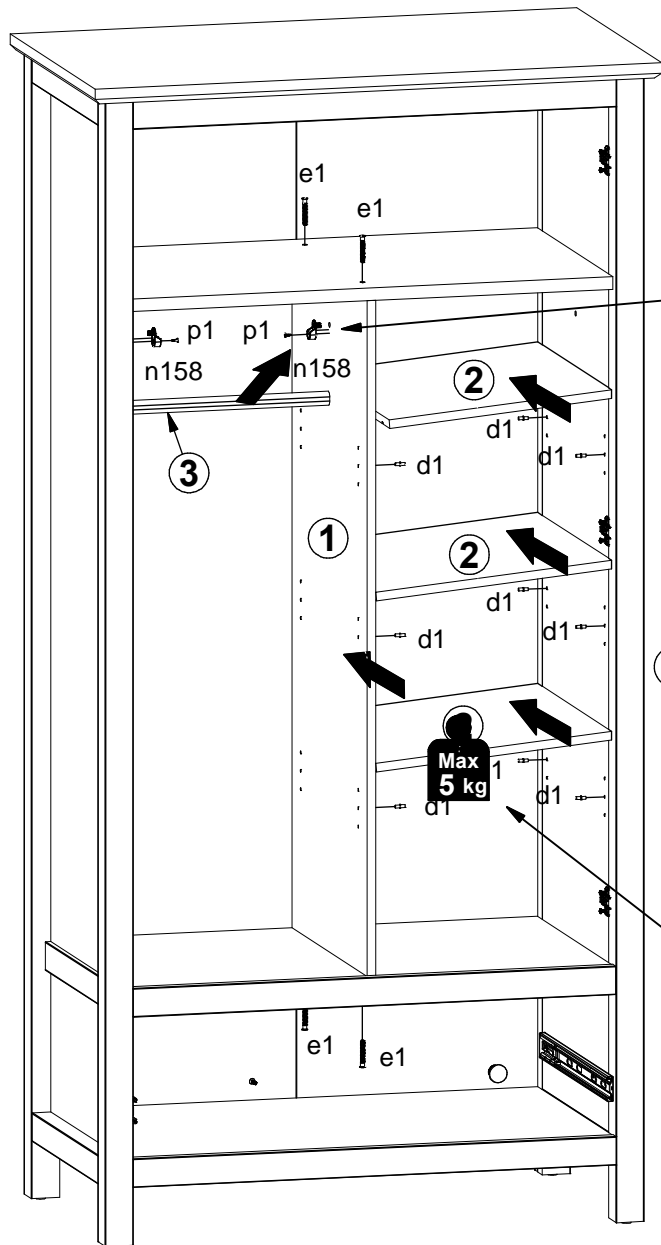
A



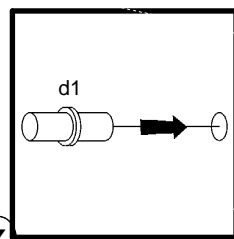
B



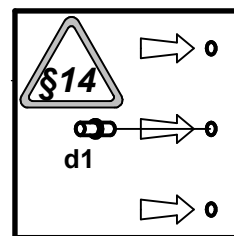
9



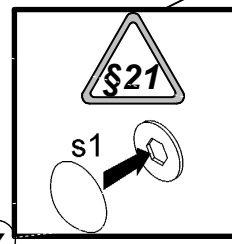
2x



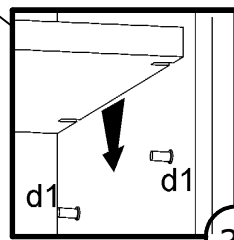
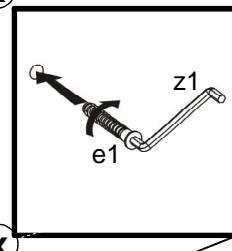
12x



2x



4x



3x

