

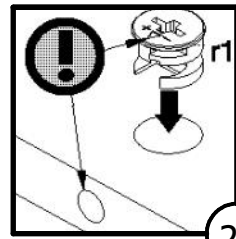
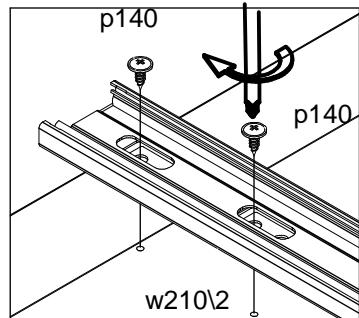
A	B	C1	C2	C3	D
1	S515-0007	855	240	15	2/3
2	S515-1011	1179	413	50	3/3
3	S515-1012	1179	413	50	3/3
4	S515-2004	1010	438	28	2/3
5	S515-3011	861	373	15	1/3
6	S515-5204	861	50	19	3/3
7	S515-9303	1048	871	2,5	3/3
8	WSP-9331	821	358	2,5	1/3
9	ZK3-5077	811	167	15	1/3
10	ZK4-503	350	180	12	1/3
11	ZK4-504	350	180	12	1/3

8x  c475	6x  d41\2	8x  Ø8x30 mm f1
8x  Ø6x30 mm f9	16x  Ø6,5x40 mm f25	8x  M4x22 mm j30
4x  k1	9x  l1	8x  l2
4x  Ø3,5x16 mm p25	4x  Ø3,5x10 mm p35	56x  Ø3,5x16 mm p38
48x  Ø3,5x12 mm p140	8x  Ø15x12 mm #16 r1	16x  Ø12x10,5 mm #12 r15
24x  20/11 r42	4x  350 mm t35	8x  L=350 mm w210\1
		8x  L=350 mm w210\2

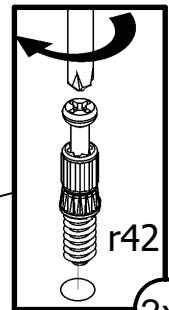
1x  Ø10x50 mm f35	1x  Ø5x60 mm p17	2x  Ø3,5x16 mm p38	1x  88x21x15/1,5 n14\2
----------------------------	---------------------------	-----------------------------	---------------------------------



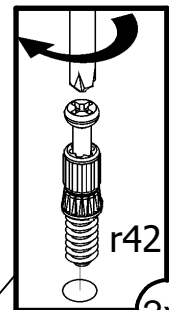
1 



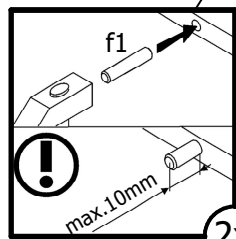
2x



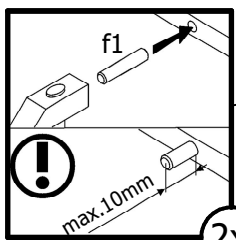
2x



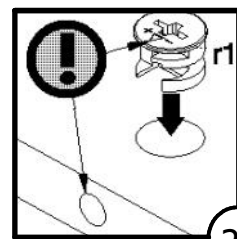
2x



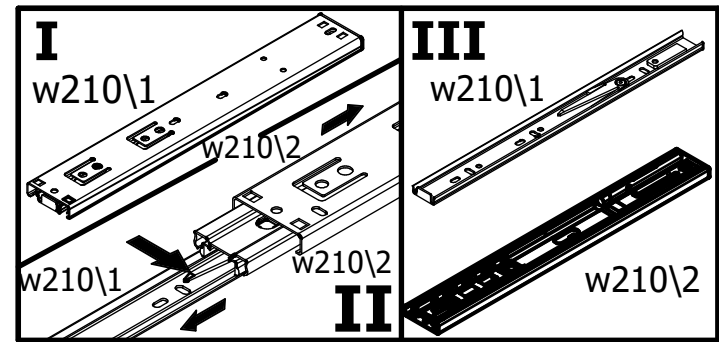
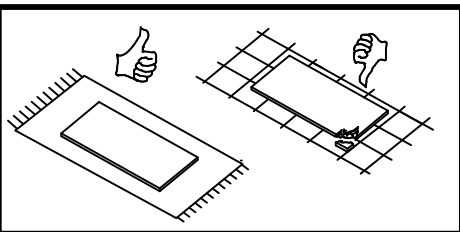
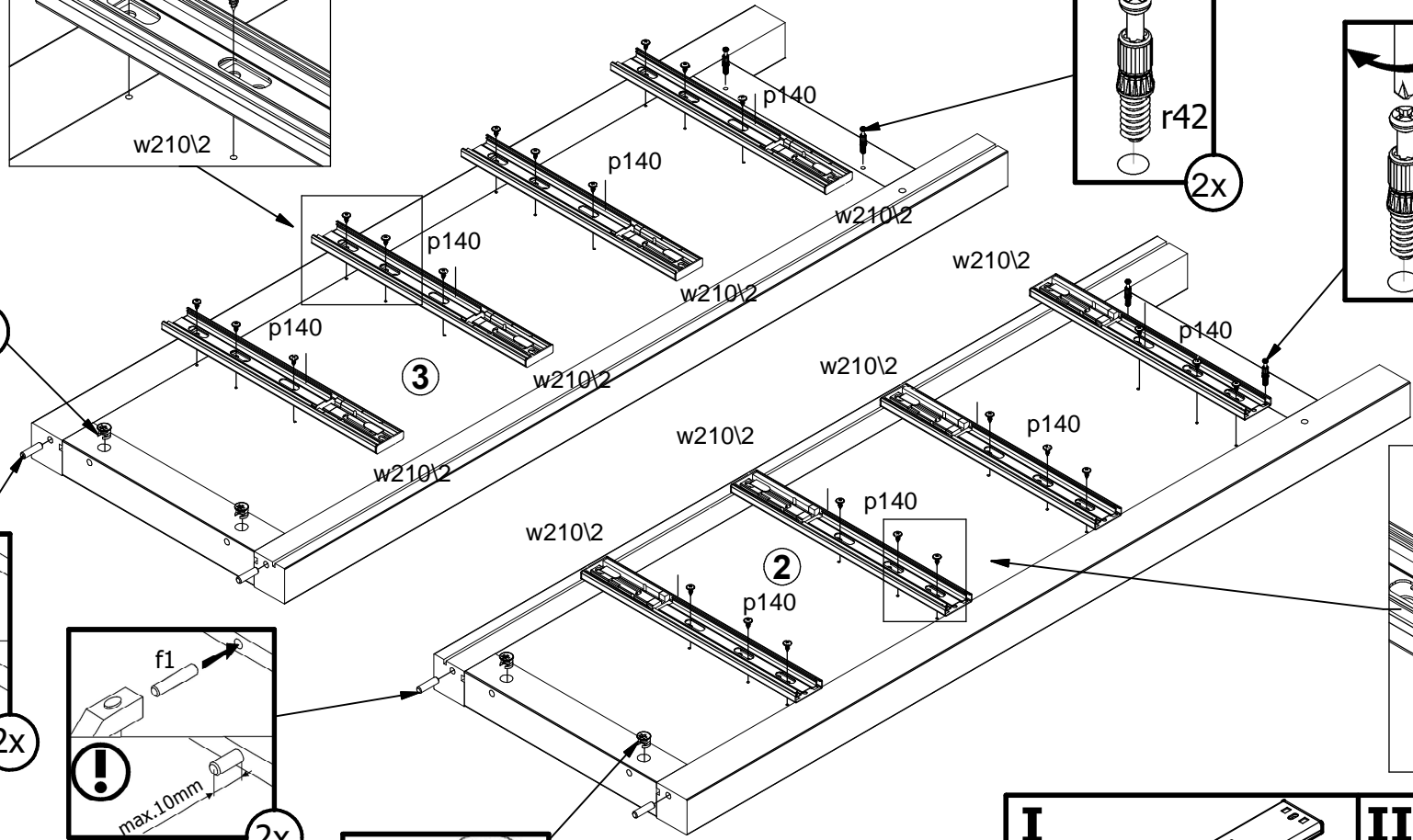
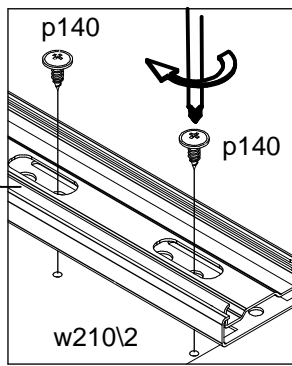
2x



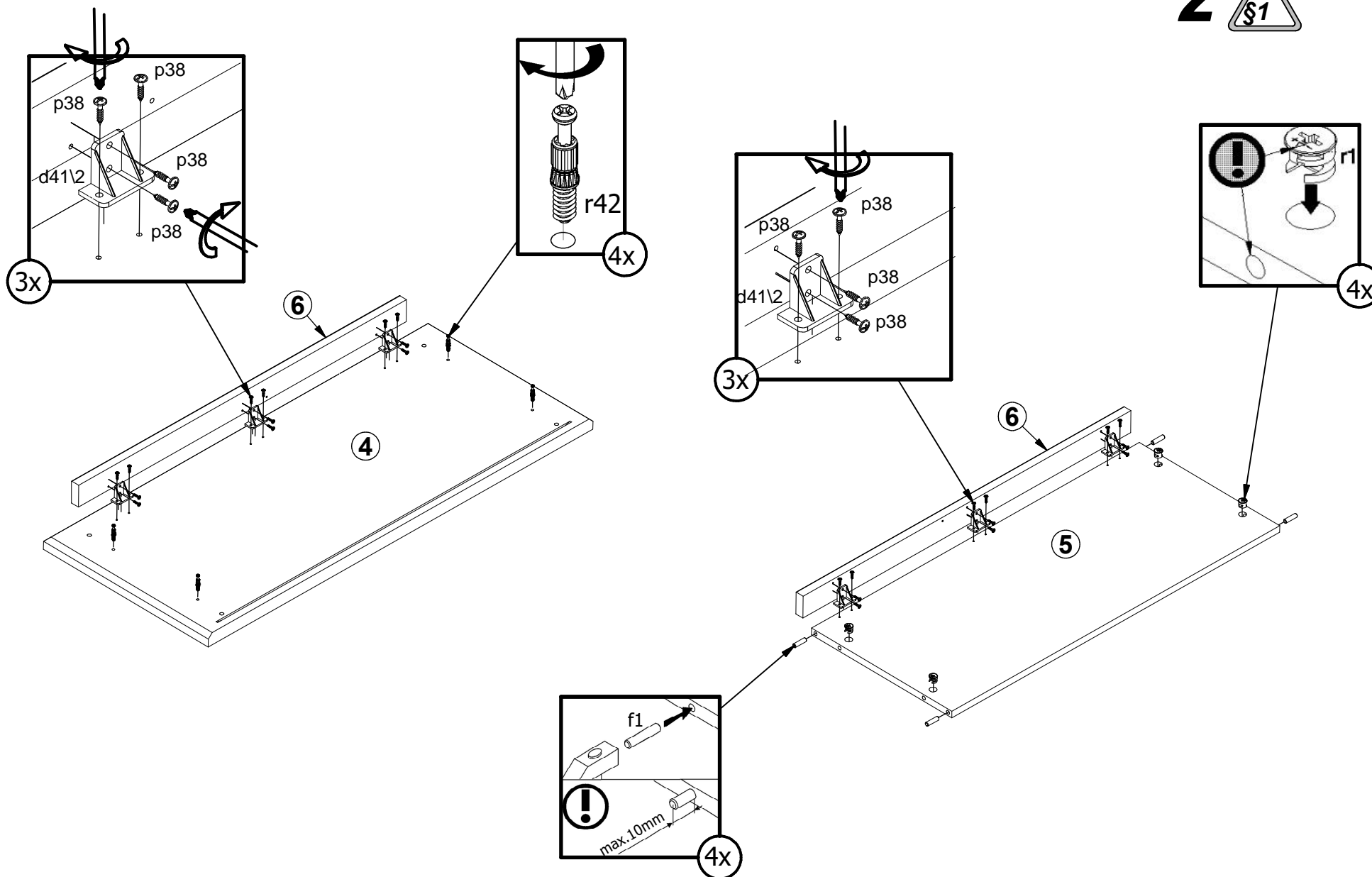
2x



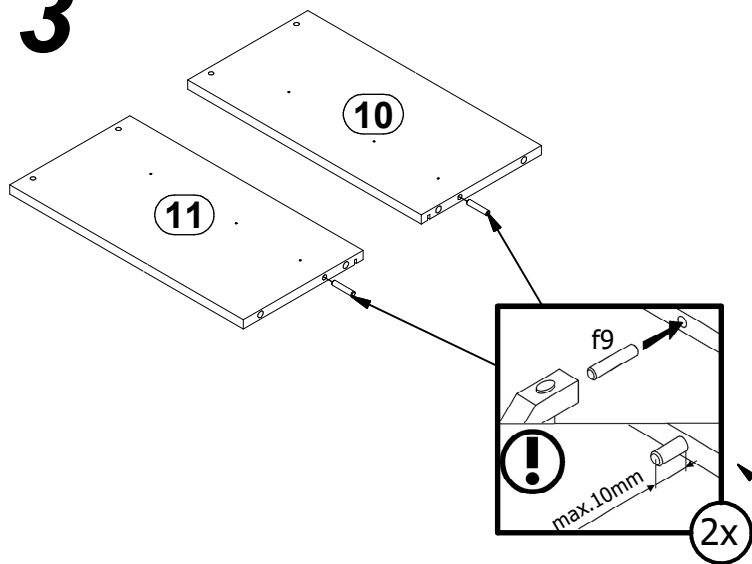
2x



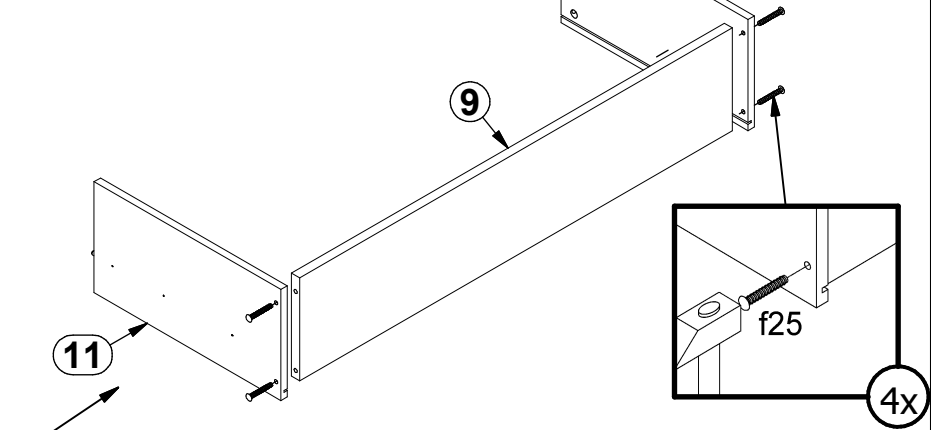
2 



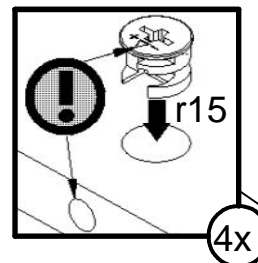
3



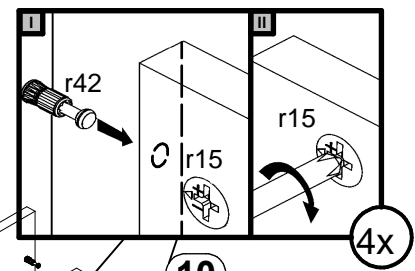
4



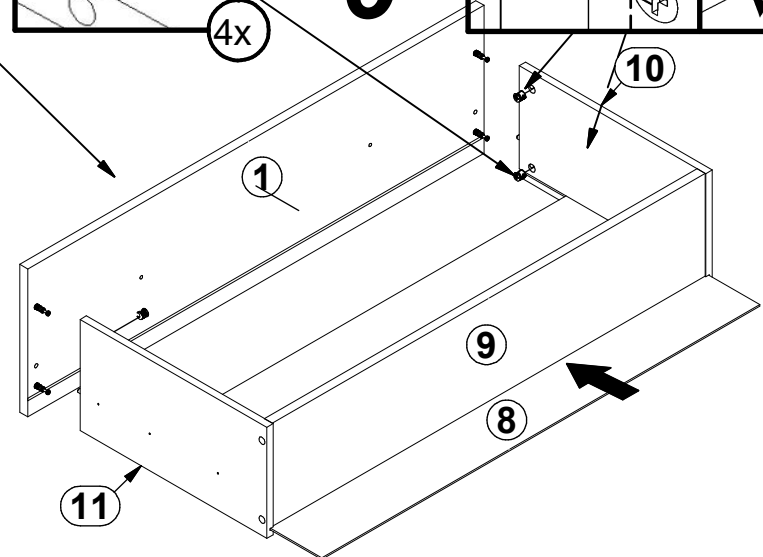
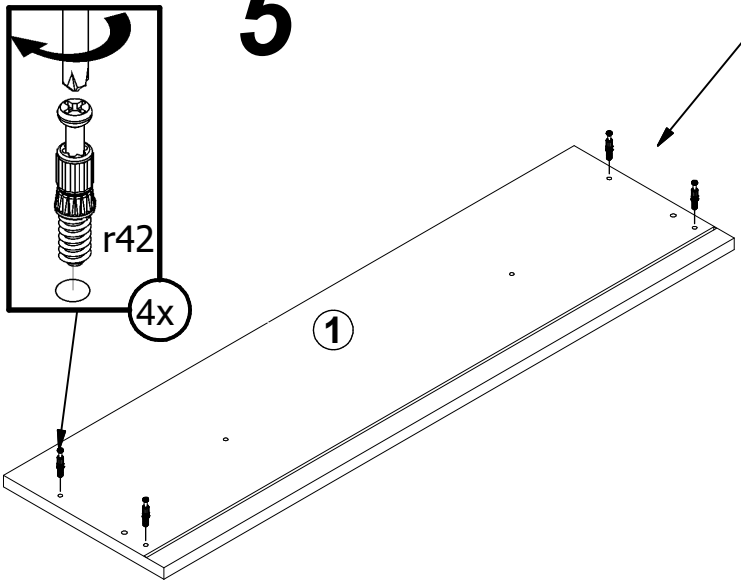
4x

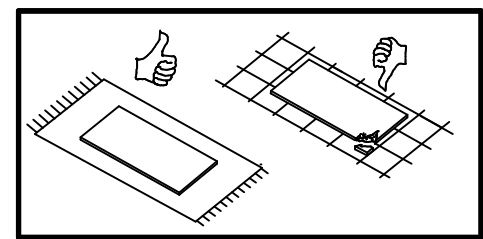
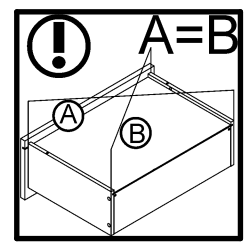
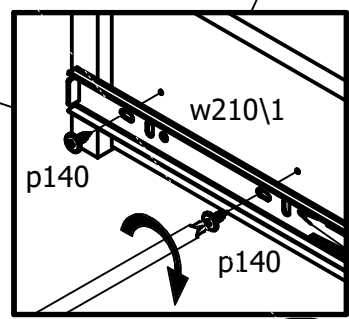
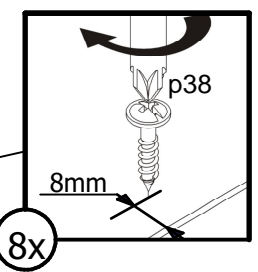
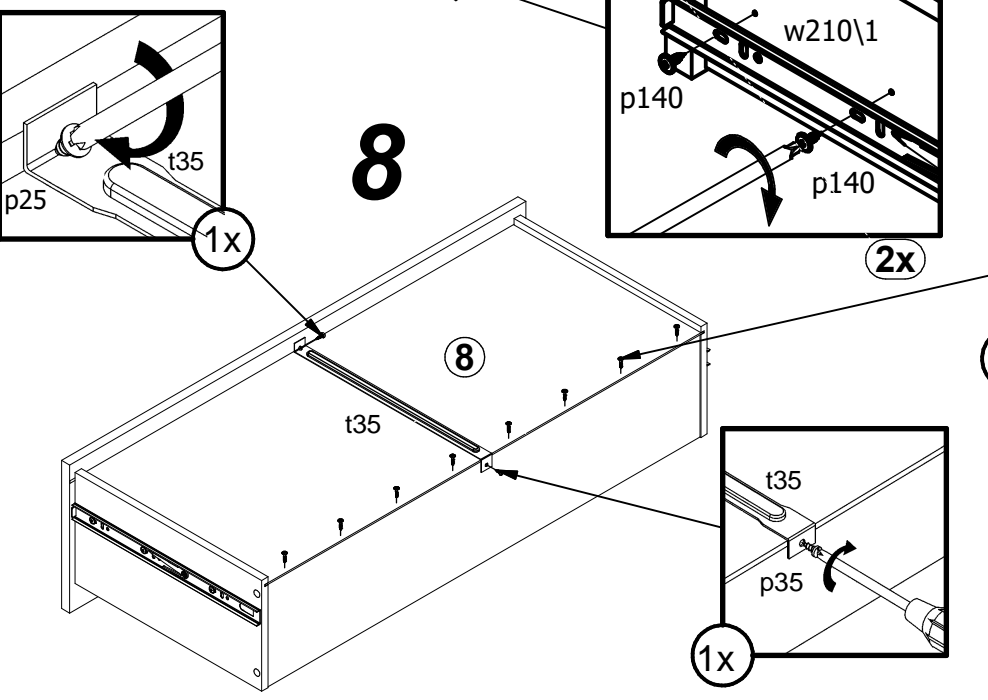
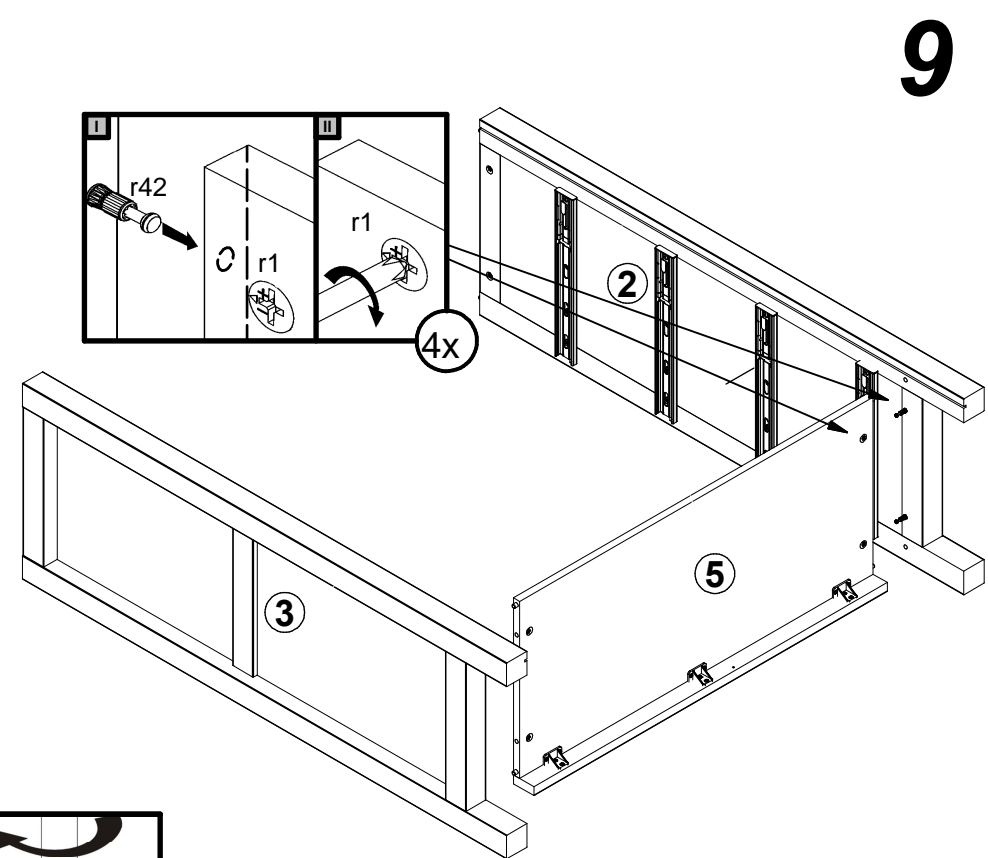
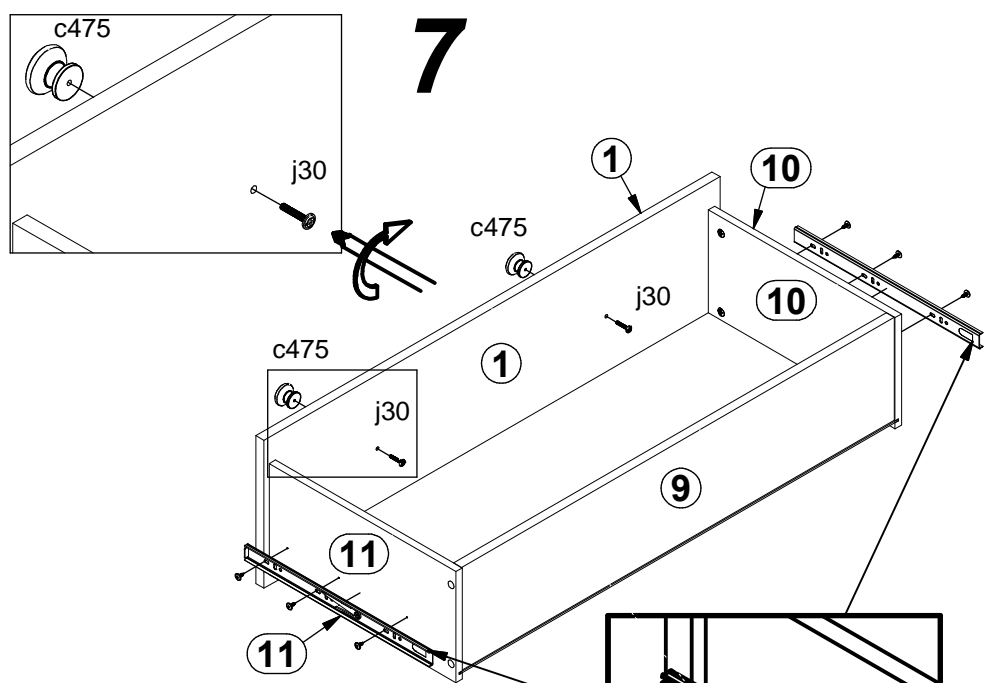


6

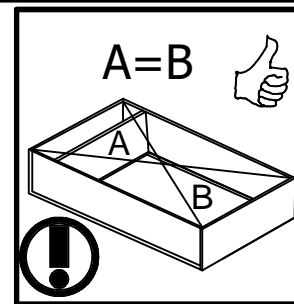
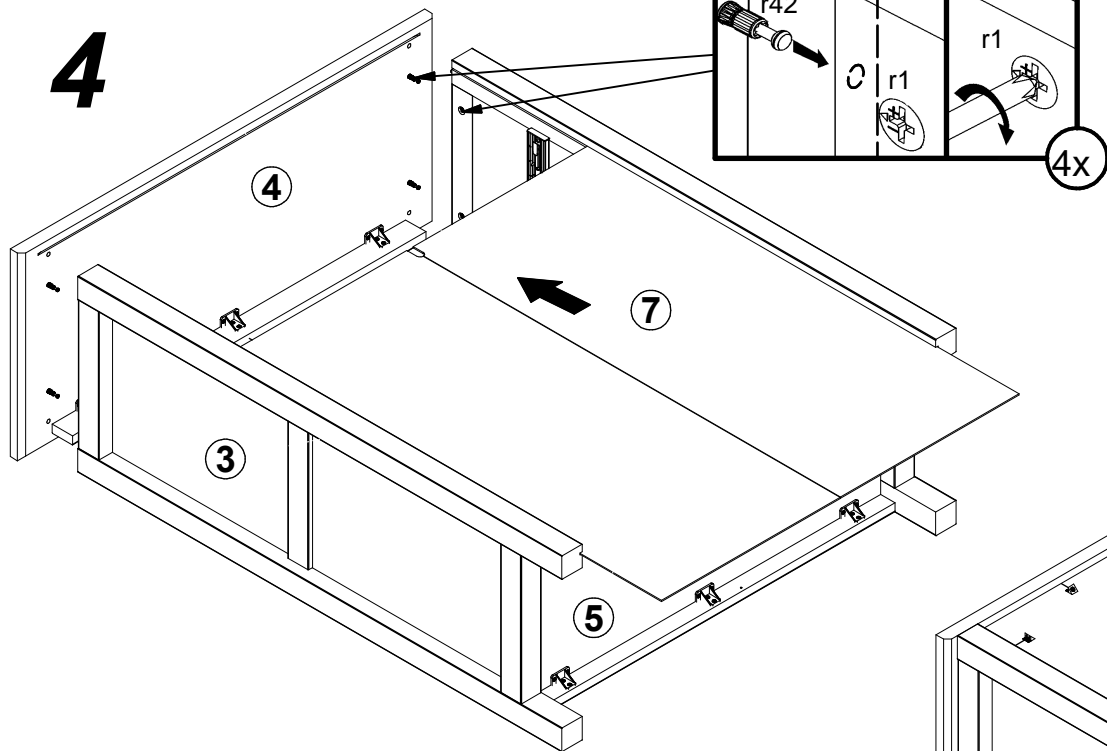


5

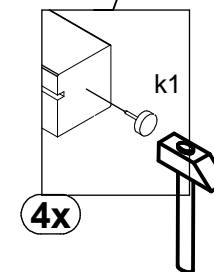
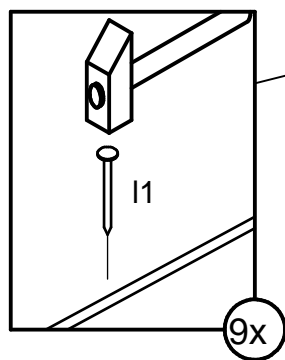
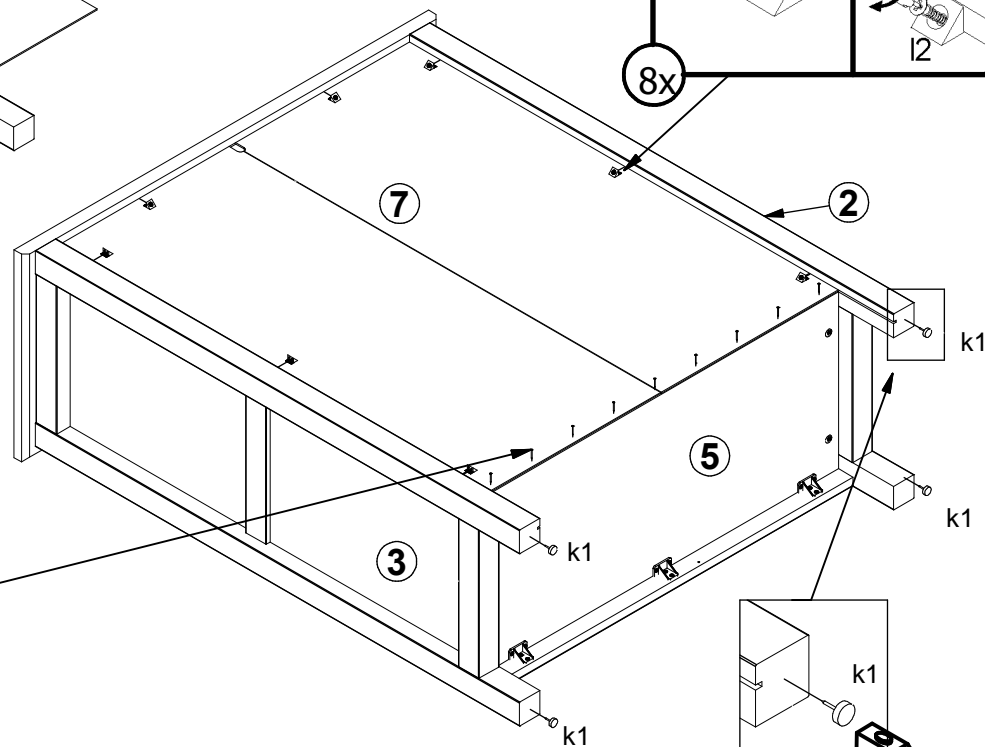
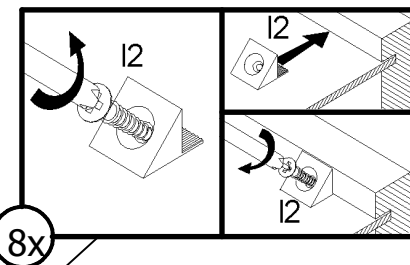


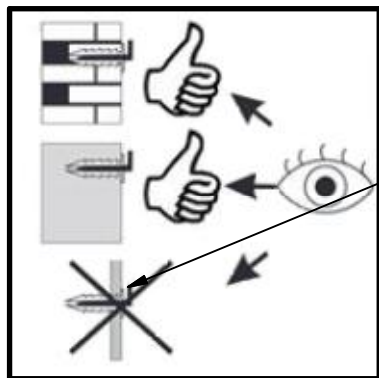
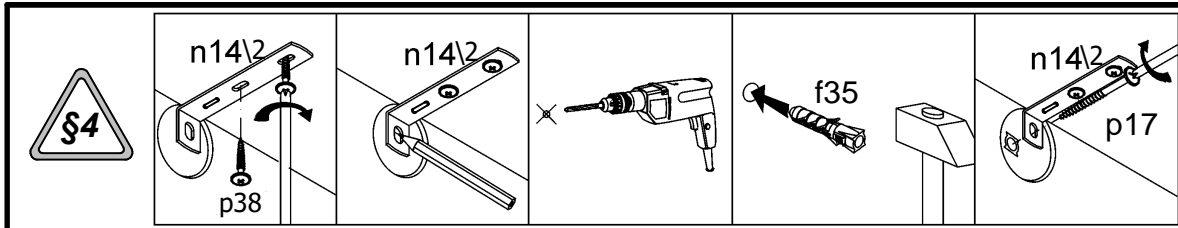


4

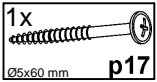
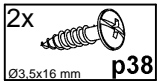
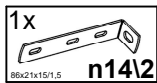
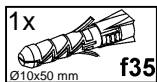
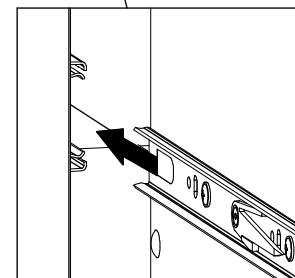
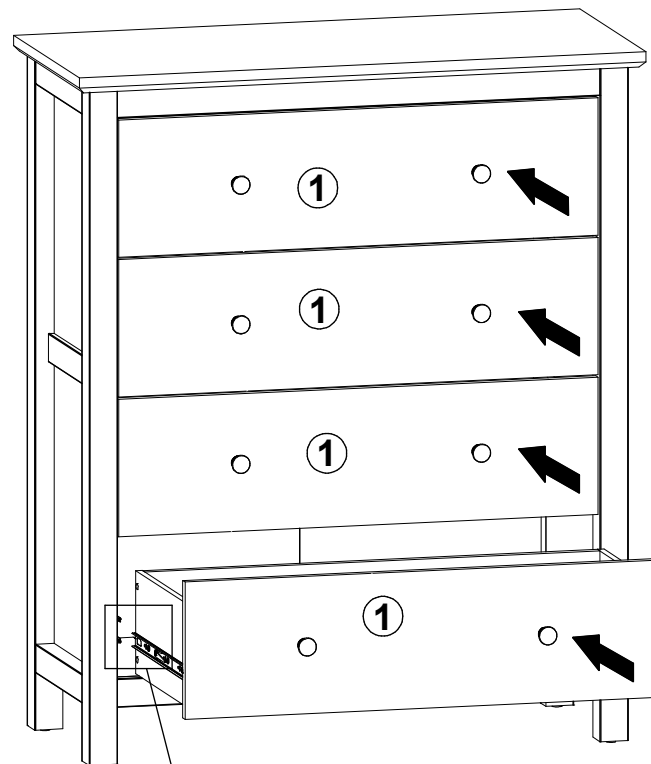
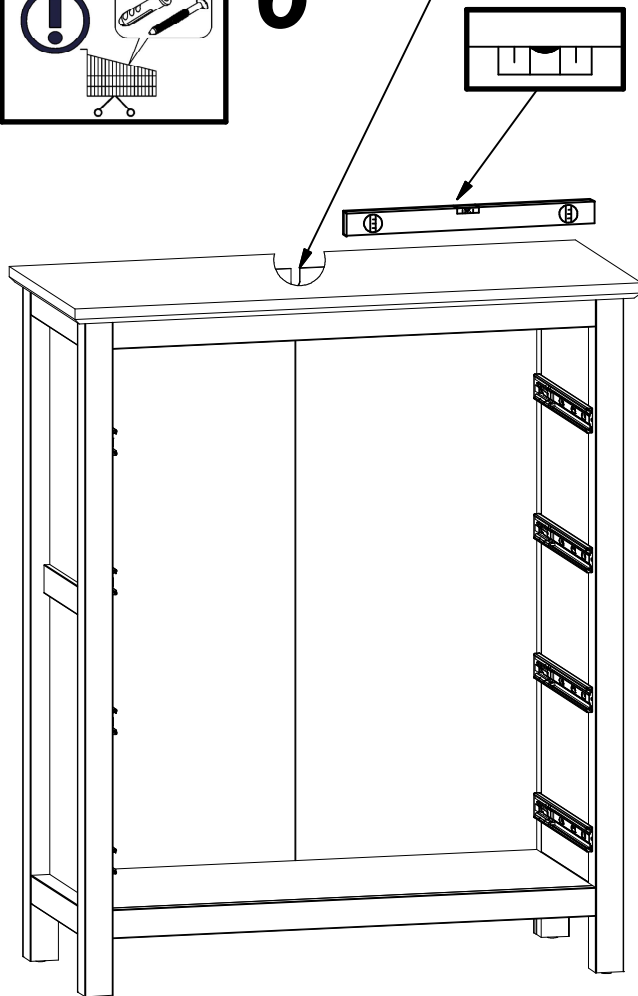


5





6





8

