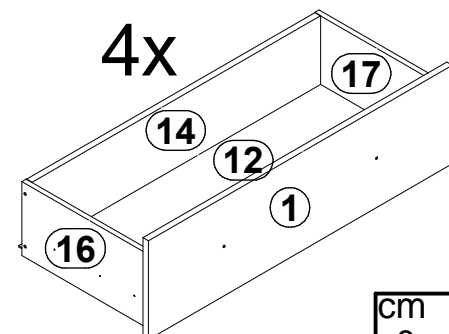
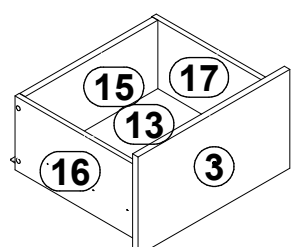
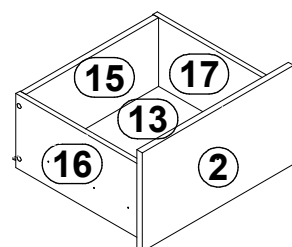


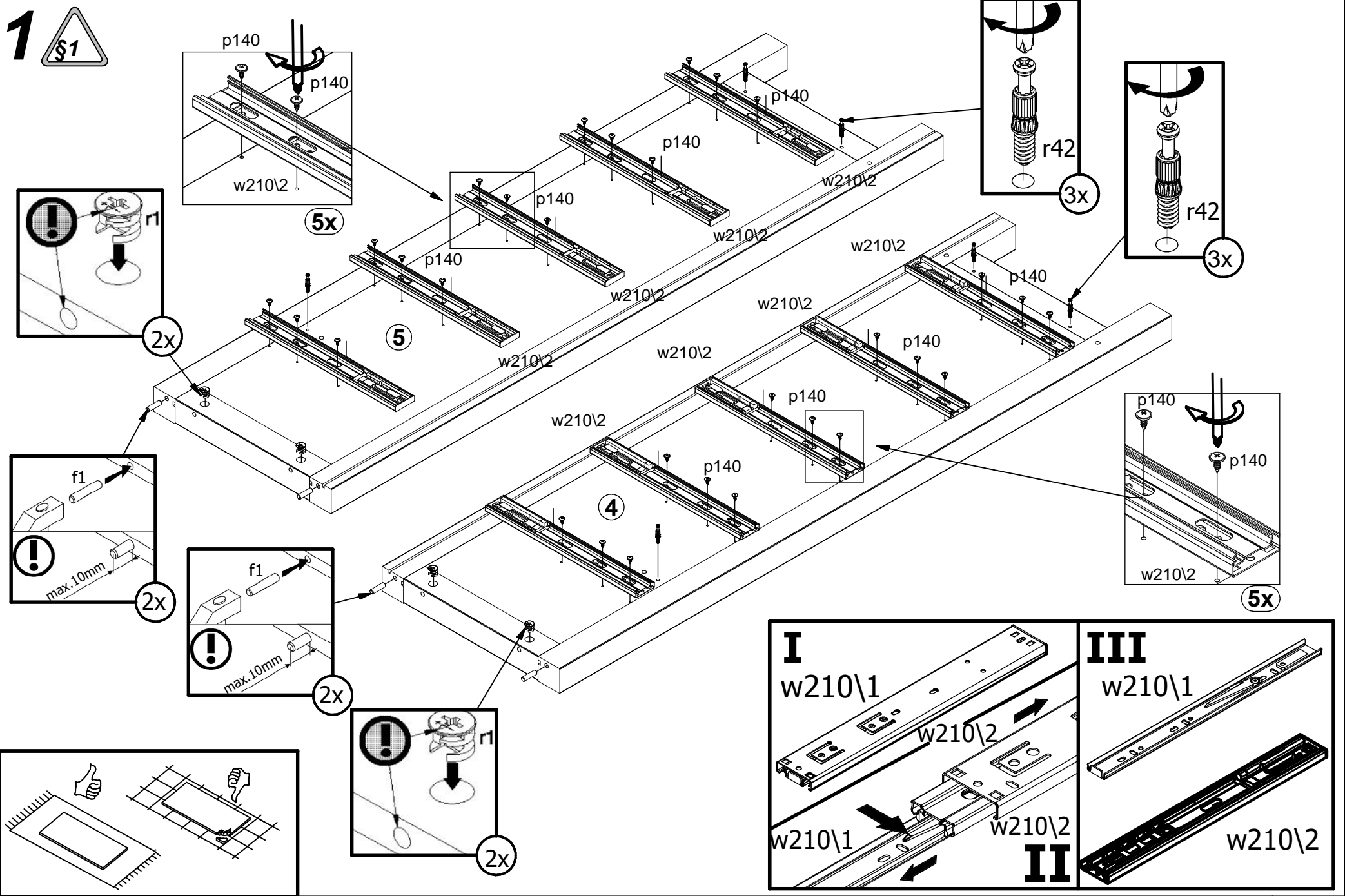
A	B	C1	C2	C3	D
1	S515-0007	855	240	15	1/3
2	S515-0008	426	240	15	1/3
3	S515-0009	426	240	15	1/3
4	S515-1013	1423	413	50	3/3
5	S515-1014	1423	413	50	3/3
6	S515-1015	286	373	15	2/3
7	S515-2005	1010	438	28	2/3
8	S515-3011	861	373	15	1/3
9	S515-4001	862	60	15	1/3
10	S515-5204	861	50	19	3/3
11	S515-9304	1292	871	2.5	3/3
12	WSP-9331	821	358	2.5	1/3
13	WSP-9332	383	358	2.5	1/3
14	ZK3-5077	811	167	15	2/3
15	ZK3-5078	373	167	15	2/3
16	ZK4-503	350	180	12	2/3
17	ZK4-504	350	180	12	2/3

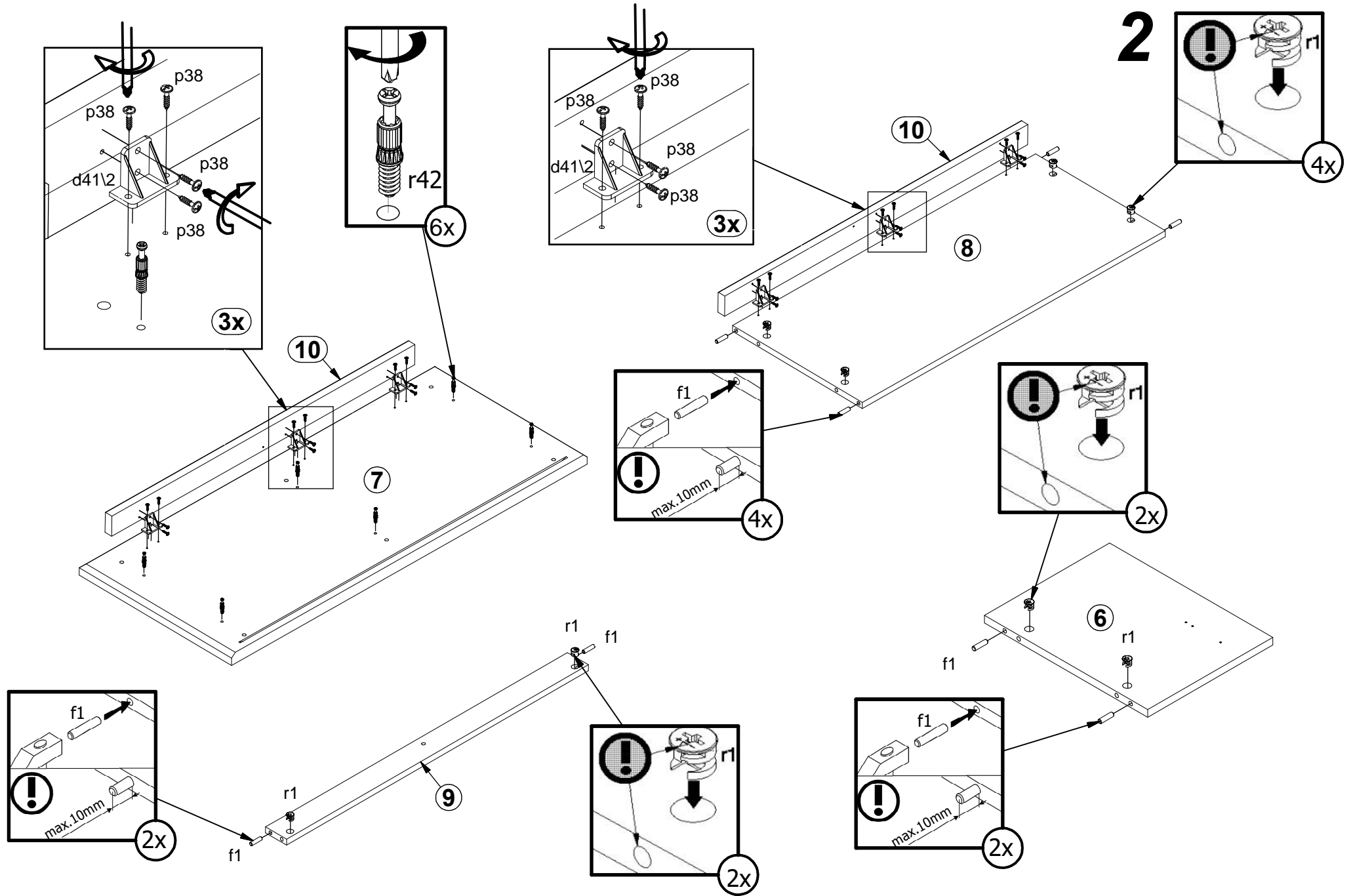
10x c475	6x d41\2	12x Ø8x30 mm f1
12x Ø6x30 mm f9	24x Ø6.5x40 mm f25	10x M4x22 mm j30
4x k1	9x l1	8x l2
4x Ø3.5x16 mm p25	4x Ø3.5x10 mm p35	64x Ø3.5x16 mm p38
72x Ø3.5x12 mm p140	12x Ø15x12 mm #16 r1	24x Ø12x10.5 mm #12 r15
36x 20/11 r42	1x Ø7x50 mm e1	4x 350 mm t35
12x w210\1	12x L-350 mm w210\2	1x z1



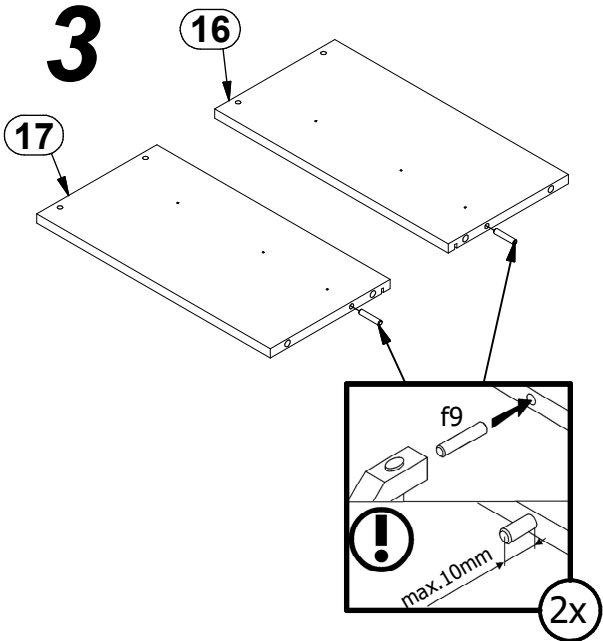
1x Ø10x50 mm f35	1x Ø5x60 mm p17	2x Ø3.5x16 mm p38	1x 88x21x15/1.5 n14\2
------------------------	-----------------------	-------------------------	-----------------------------



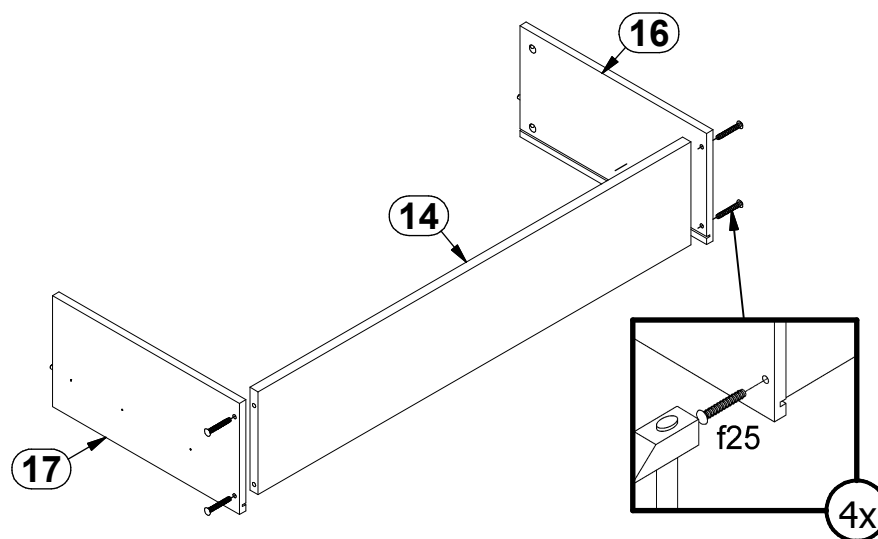




3

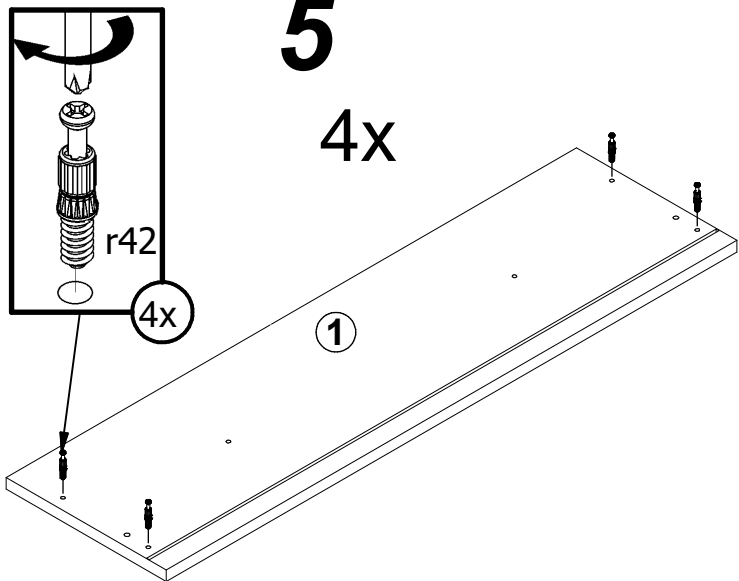


4

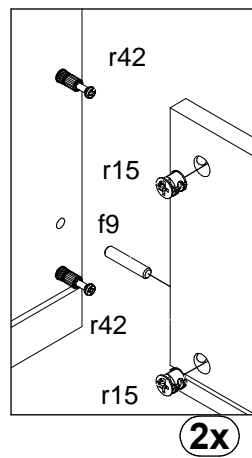
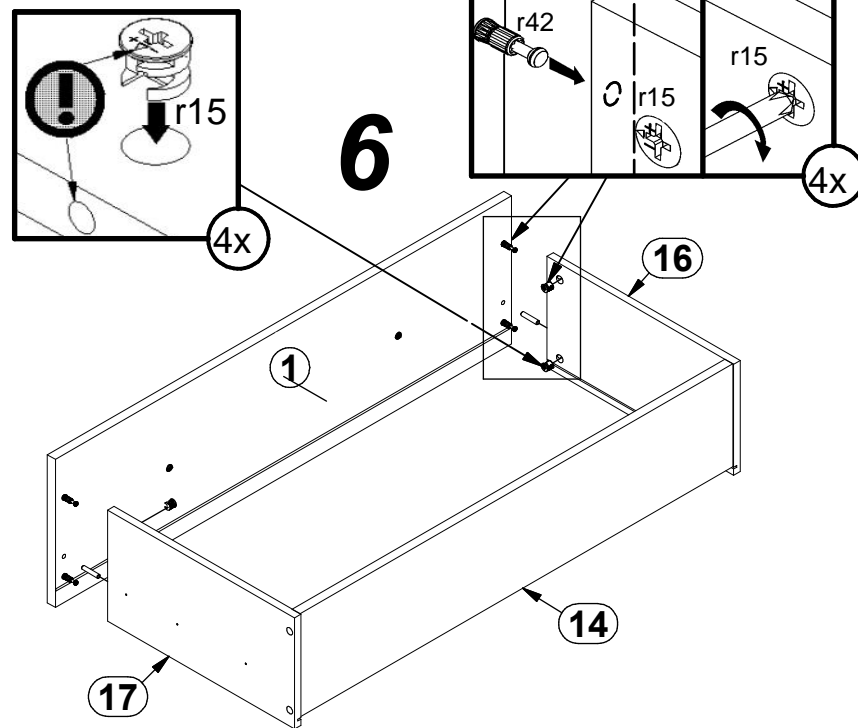


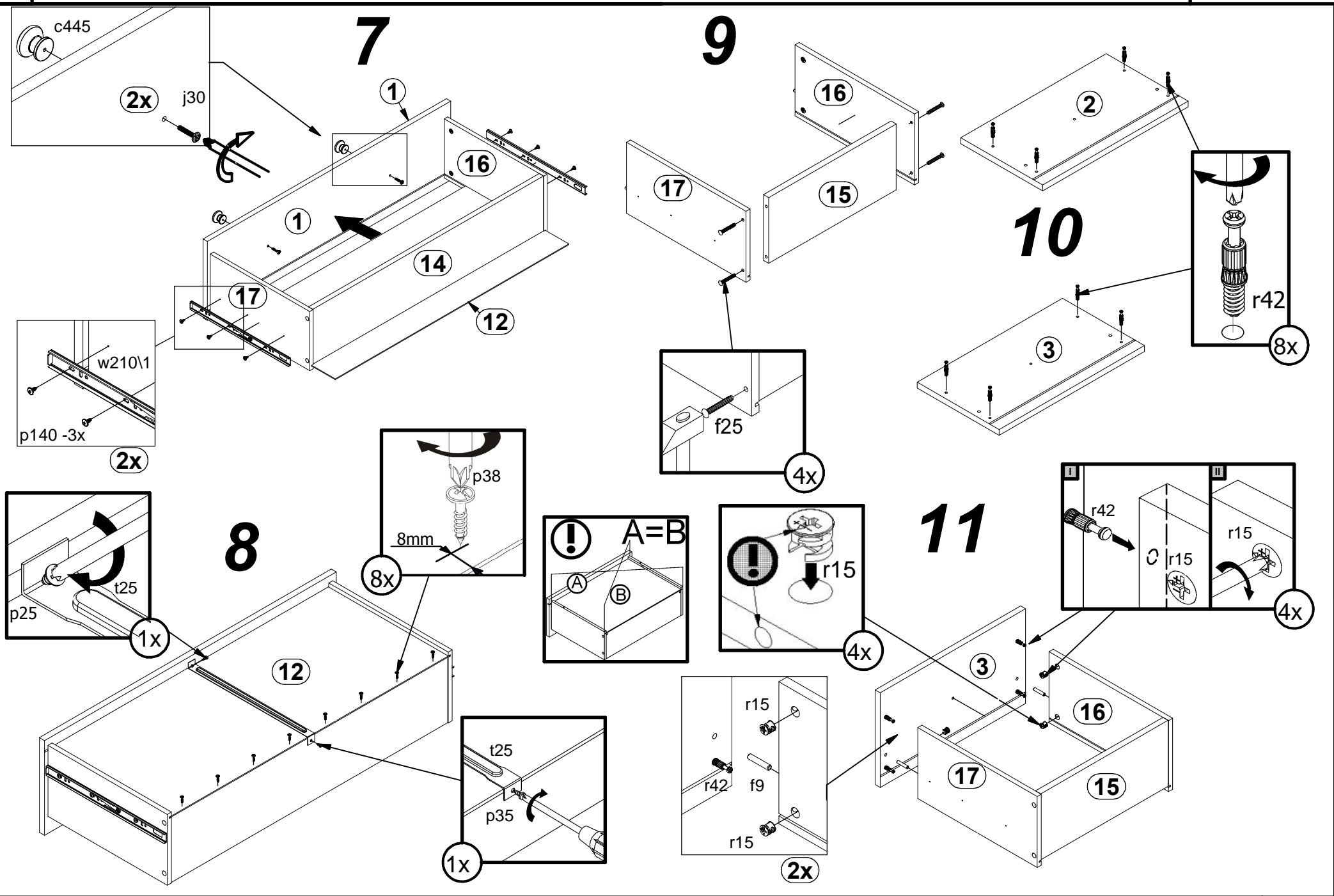
5

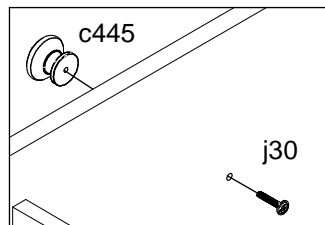
4x



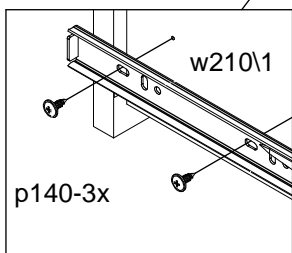
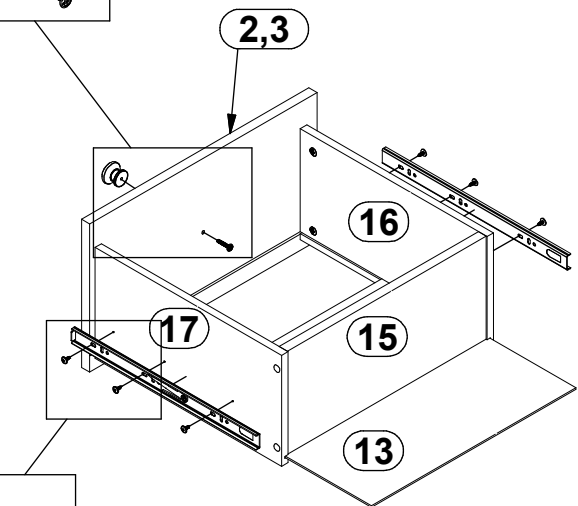
6



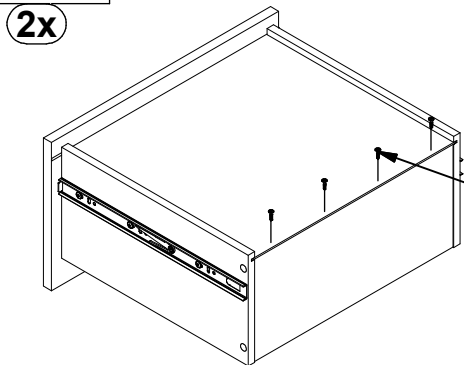




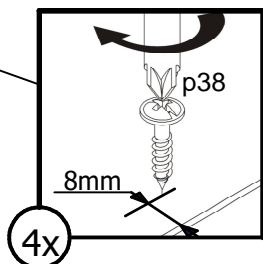
12



13

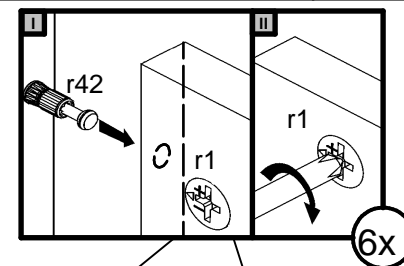
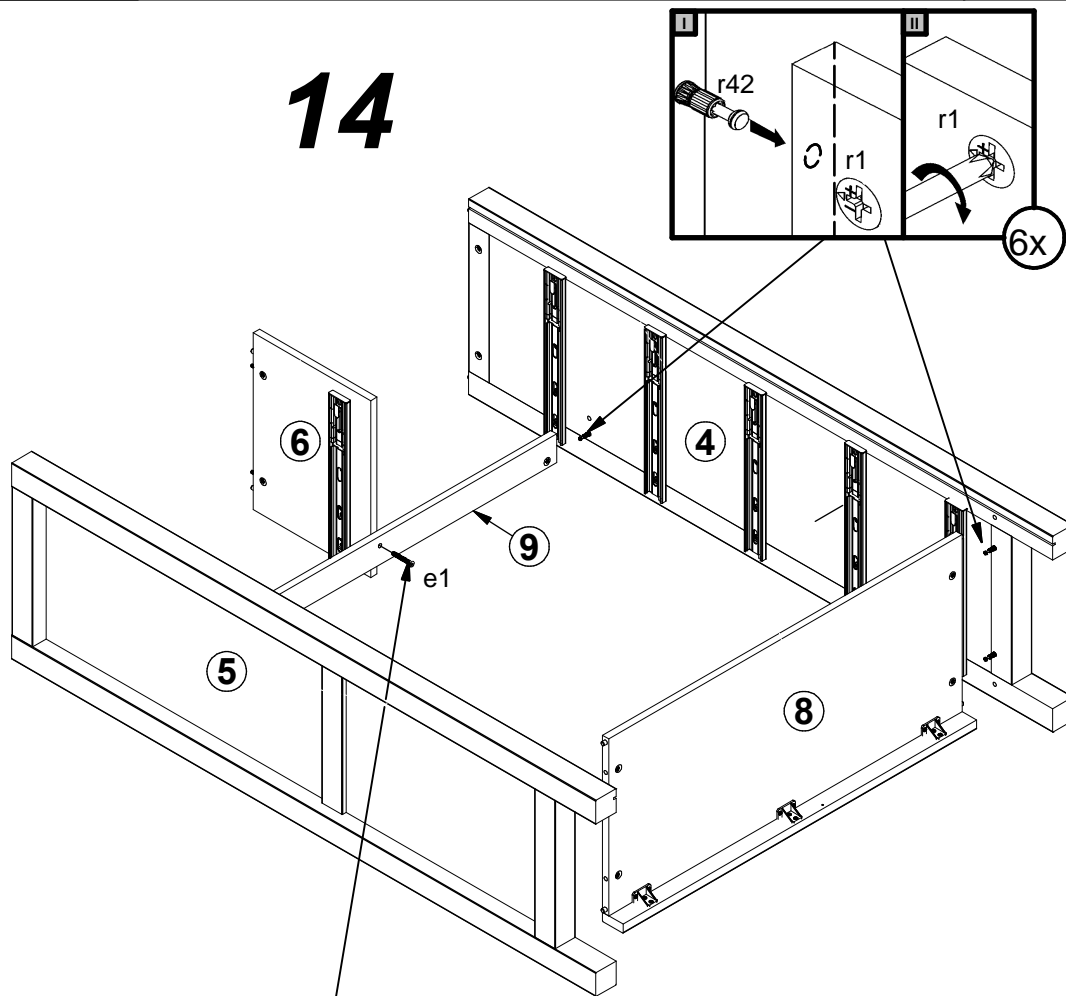


2x

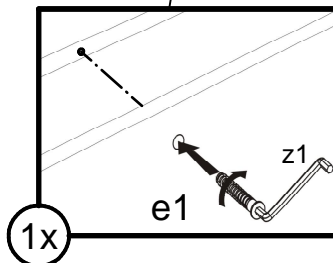


4x

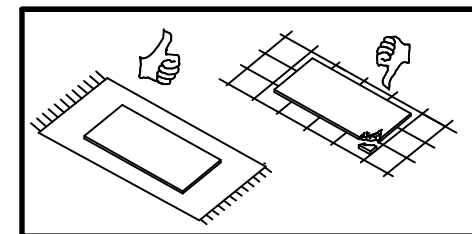
14



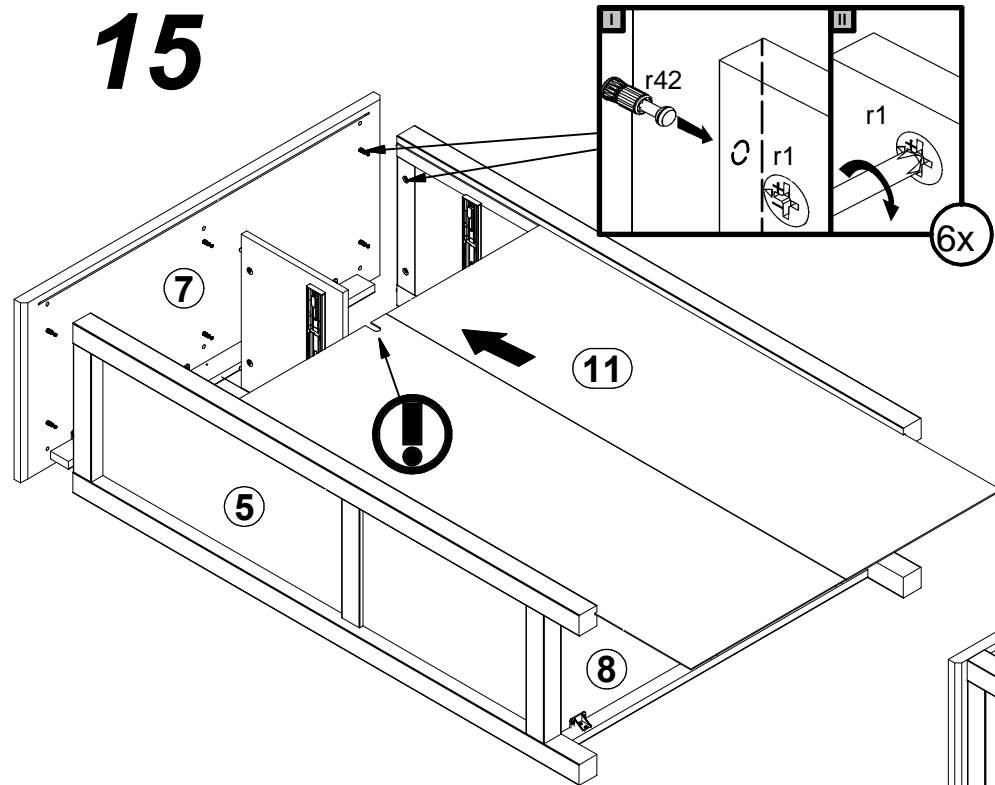
6x



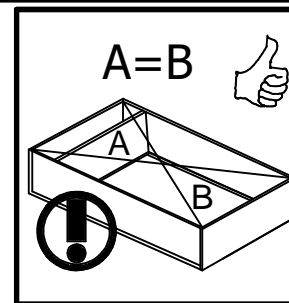
1x



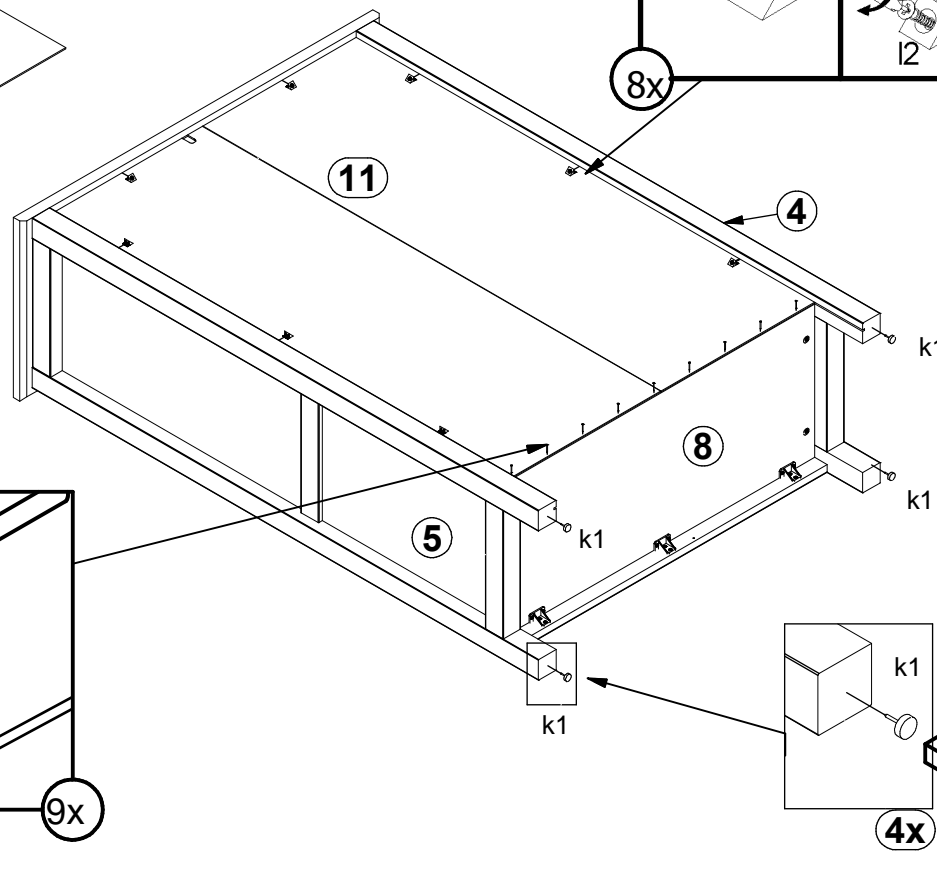
15



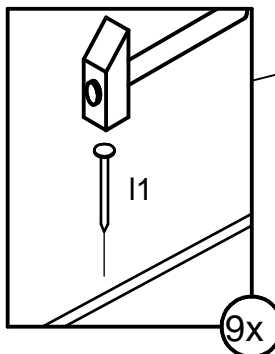
6x



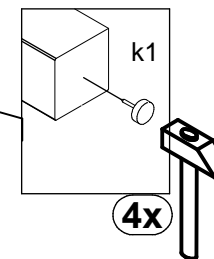
16



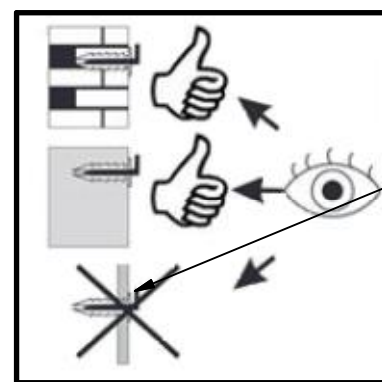
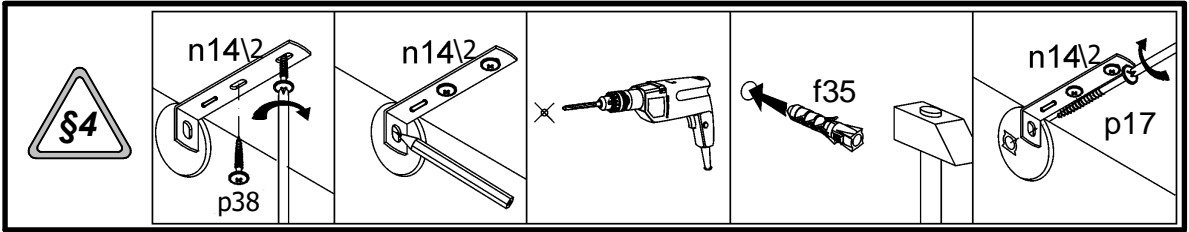
8x



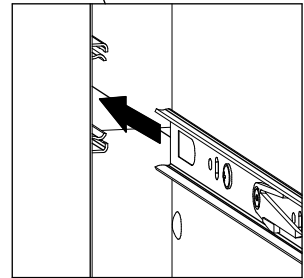
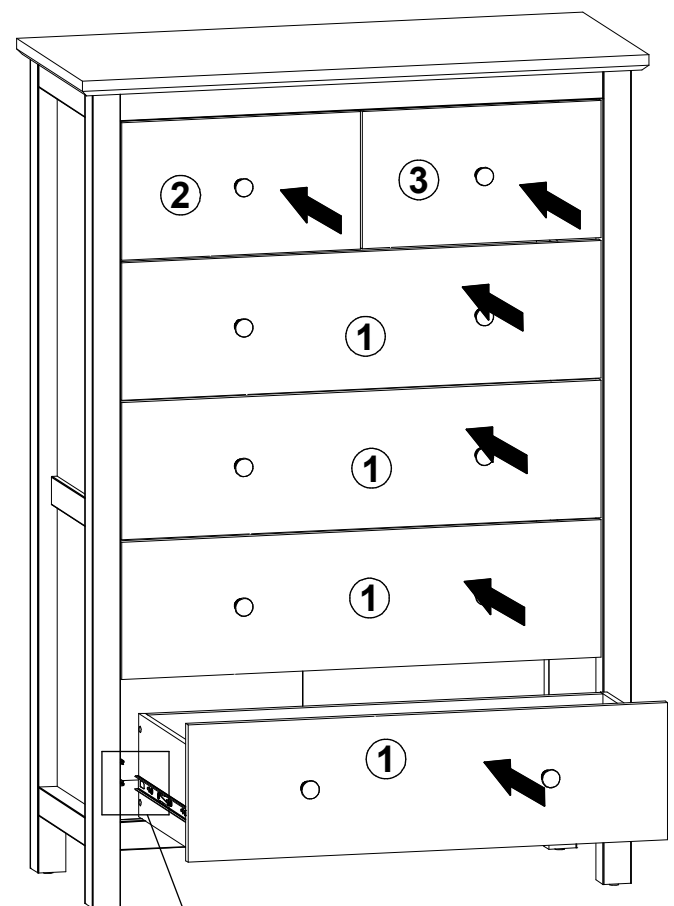
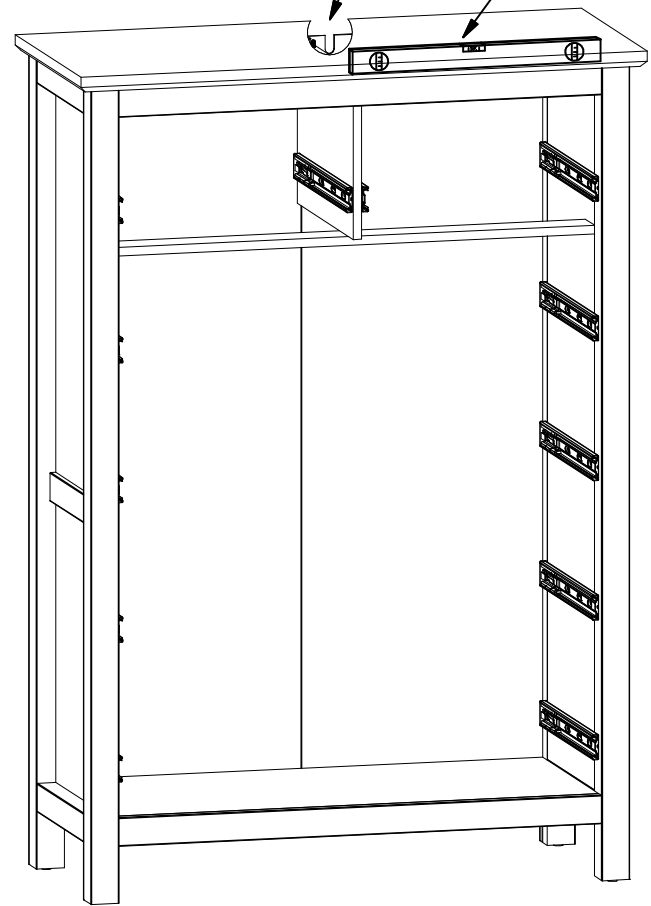
9x



4x



17



- 1x f35
Ø10x50 mm
- 1x n14/2
88x21x16/1,5
- 2x p38
Ø3,5x16 mm
- 1x p17
Ø5x60 mm

19

