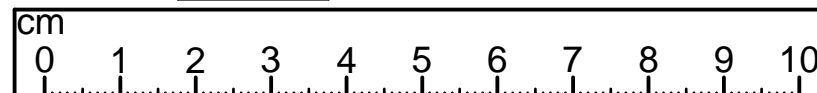
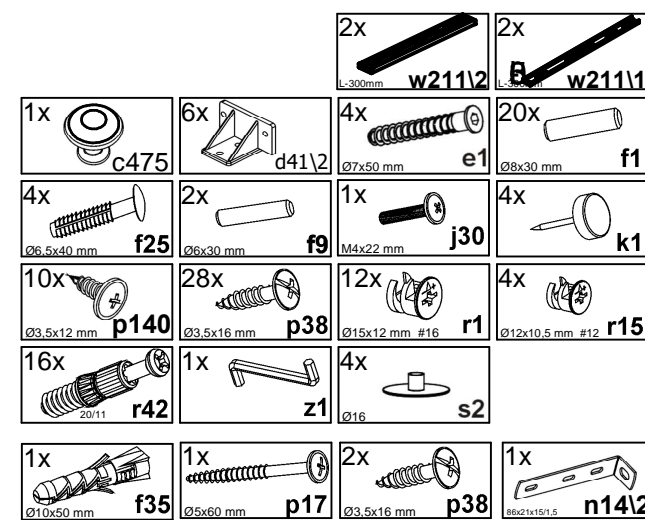
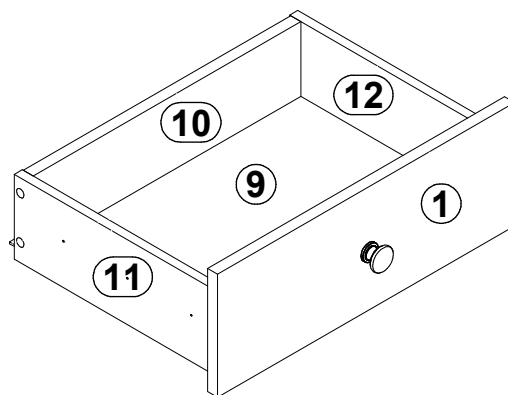
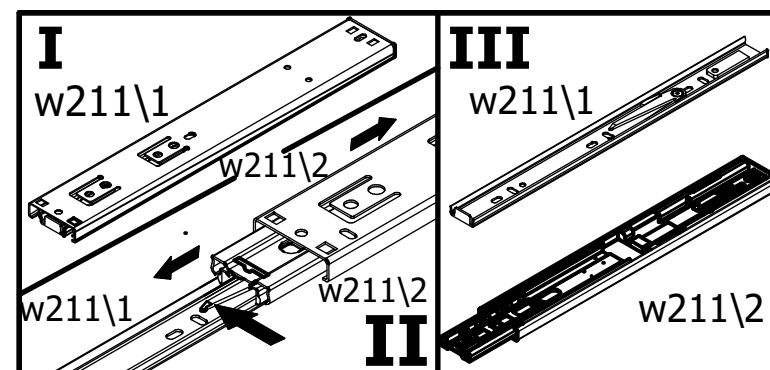
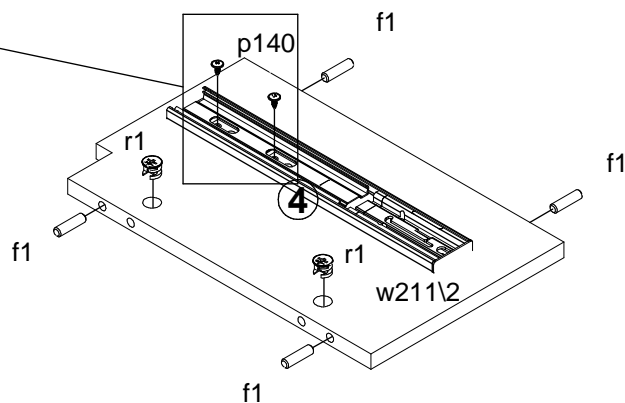
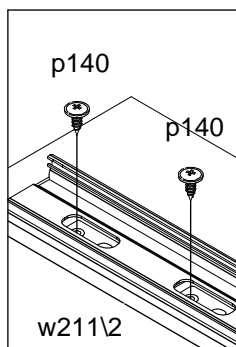
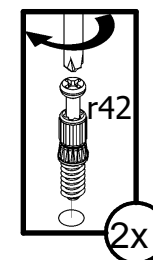
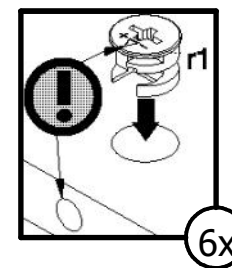
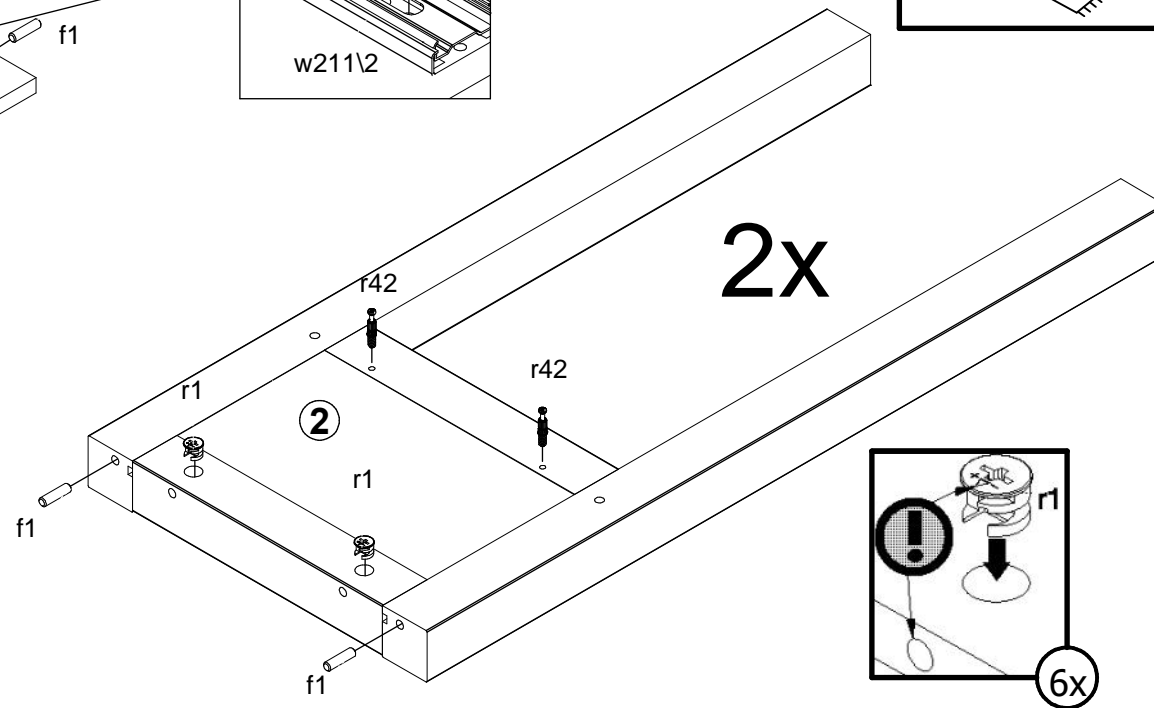
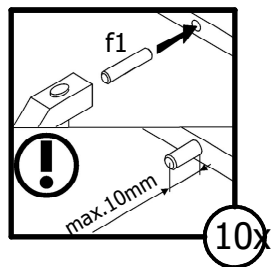
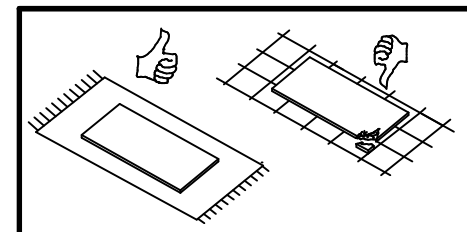
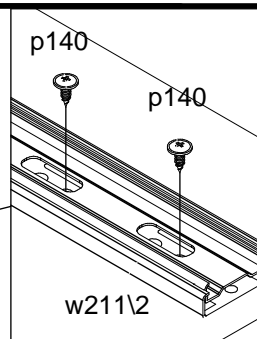
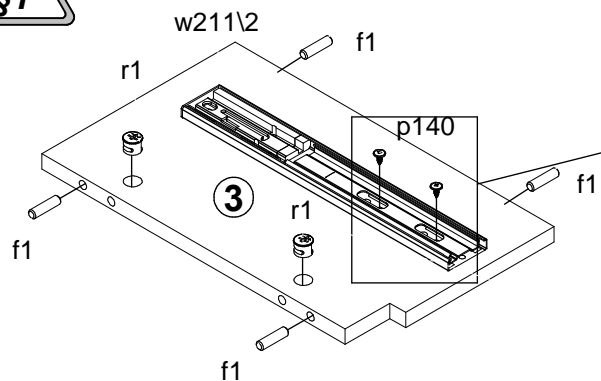


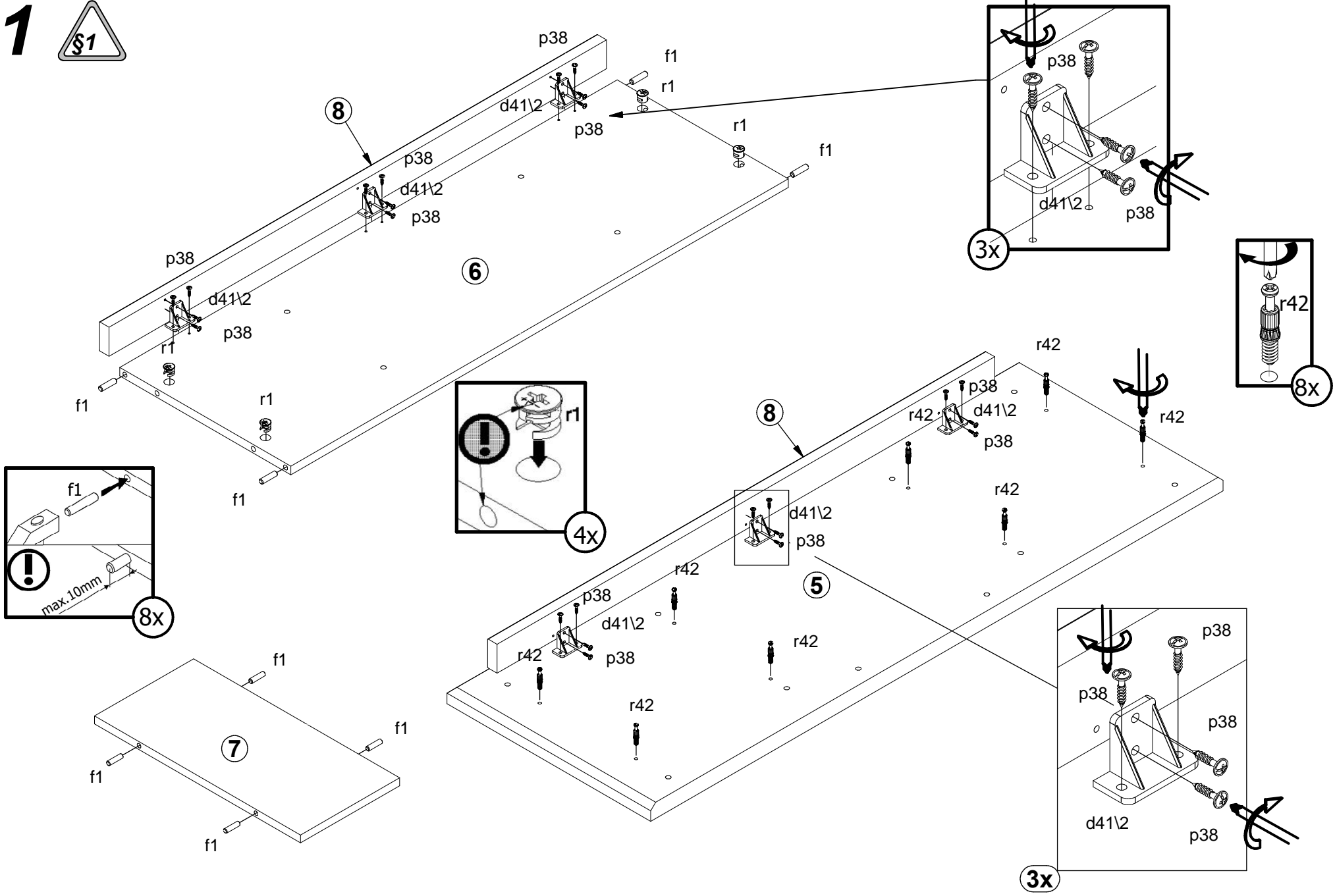
A	B	C1	C2	C3	D
1	S515-0010	445	160	15	1/1
2	S515-1035	830	381	50	1/1
3	S515-1036	217	359	15	1/1
4	S515-1037	217	359	15	1/1
5	S515-2011	1140	406	28	1/1
6	S515-3023	991	341	15	1/1
7	S515-4502	451	217	15	1/1
8	S515-5209	991	50	19	1/1
9	WSP-9335	411	308	2,5	1/1
10	ZK3-5079	401	97	15	1/1
11	ZK4-521	300	110	12	1/1
12	ZK4-522	300	110	12	1/1

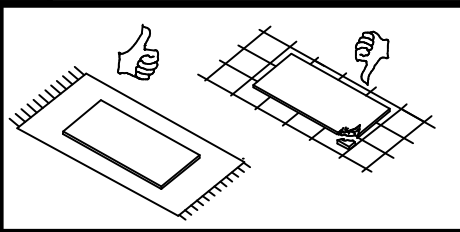


1 



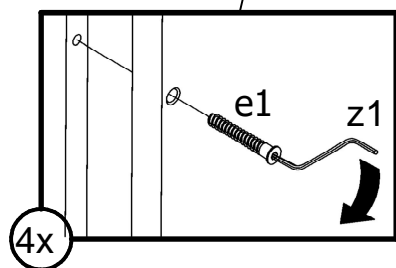
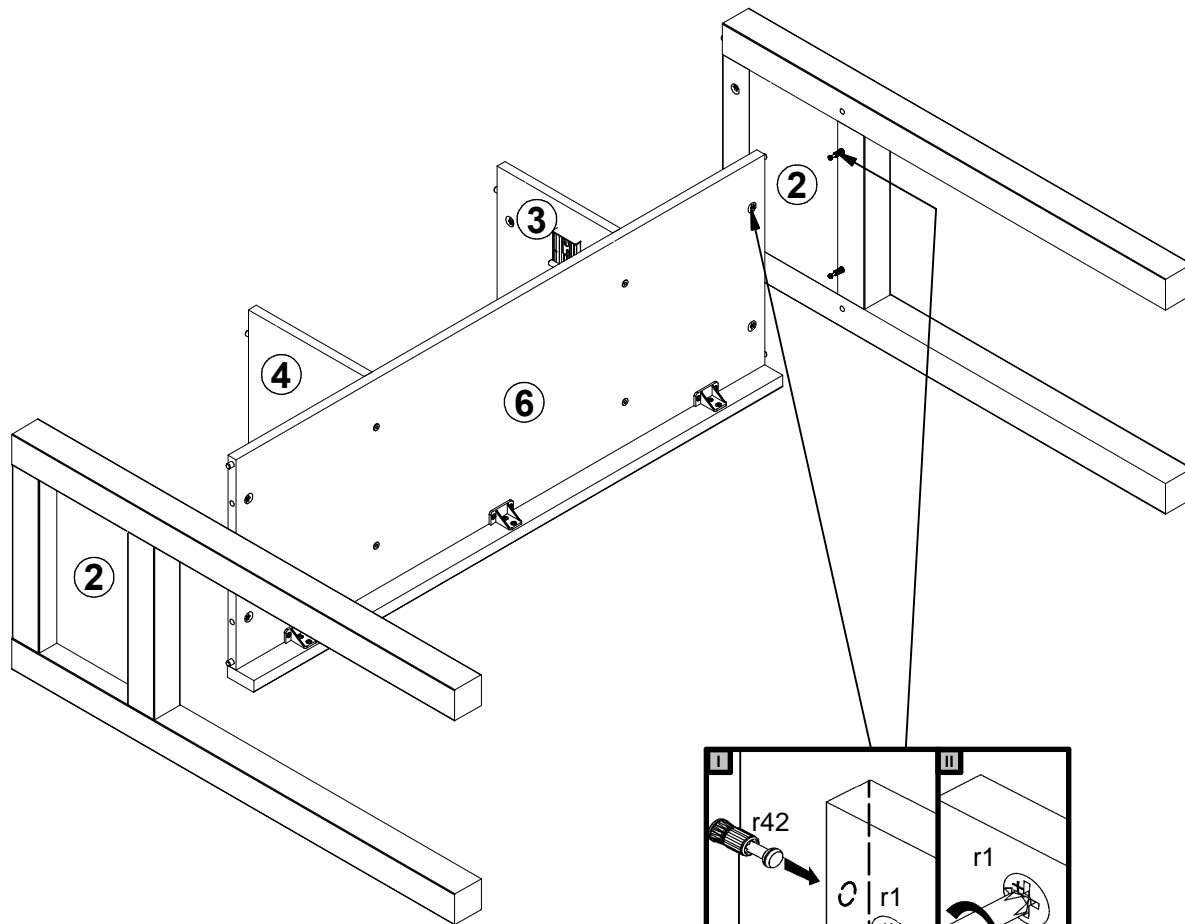
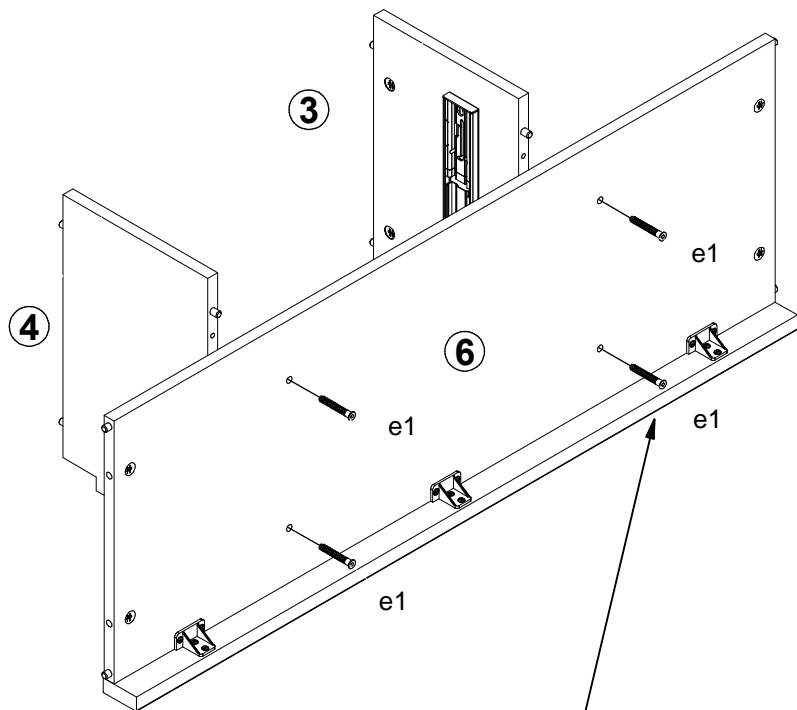
1 



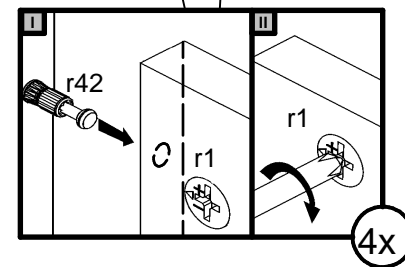


2

3



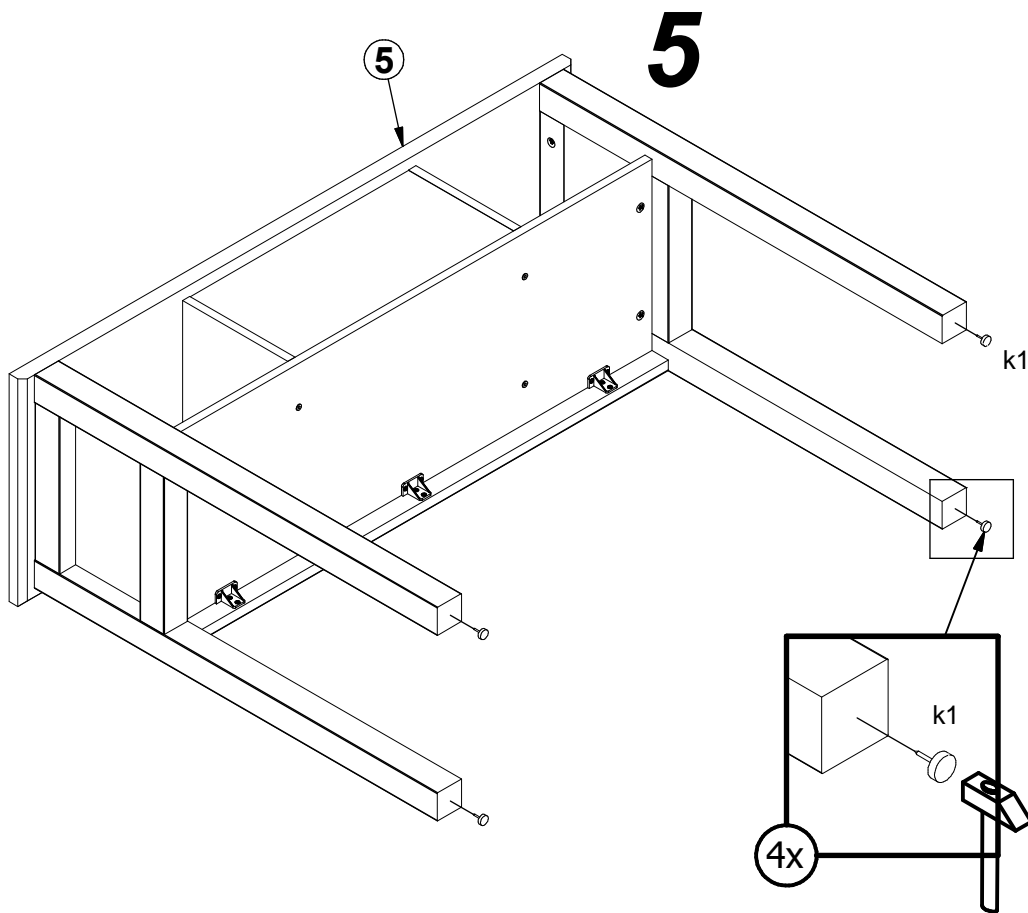
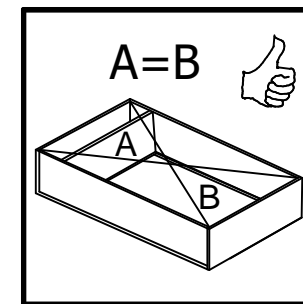
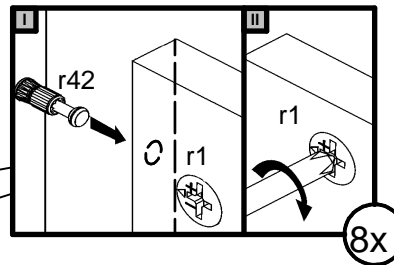
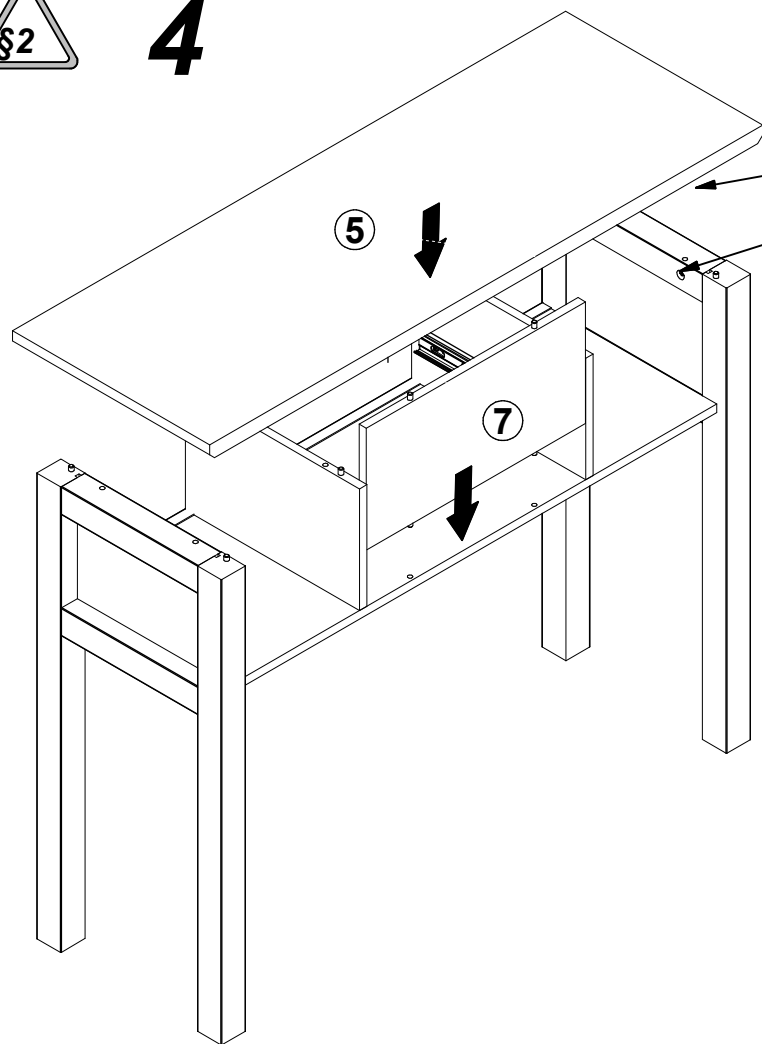
4x



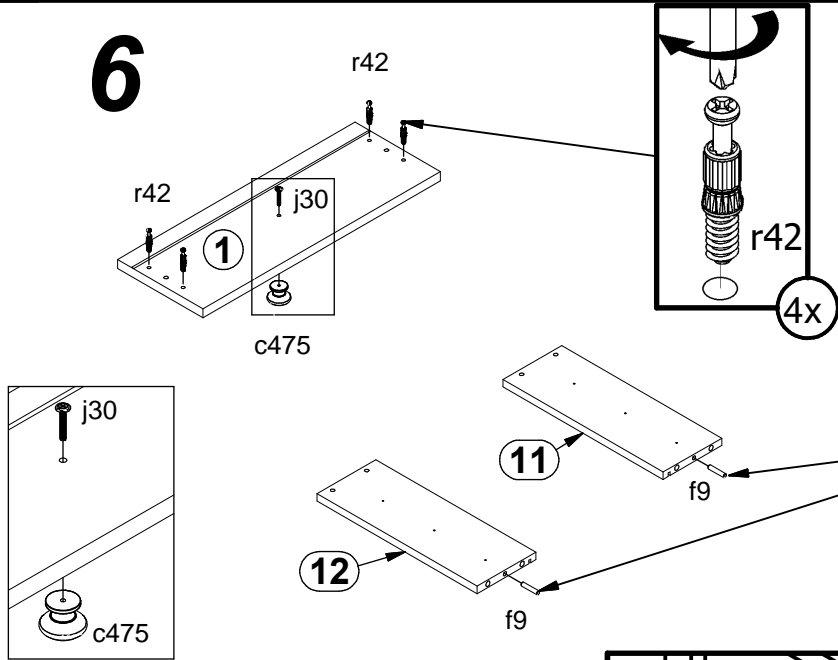
4x



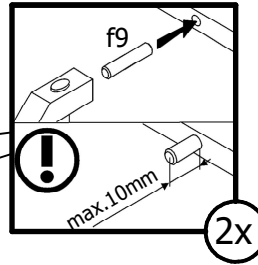
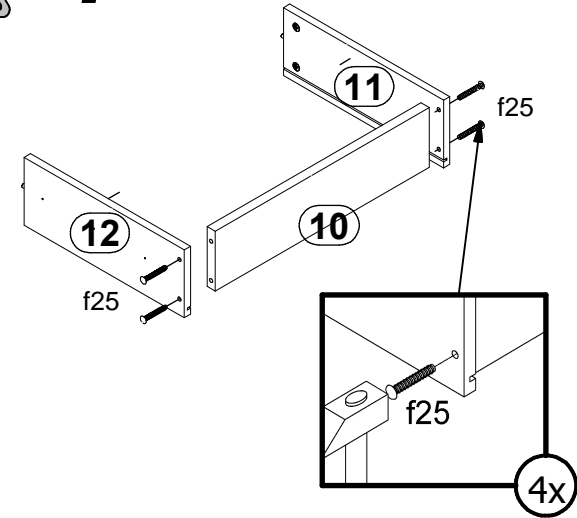
4



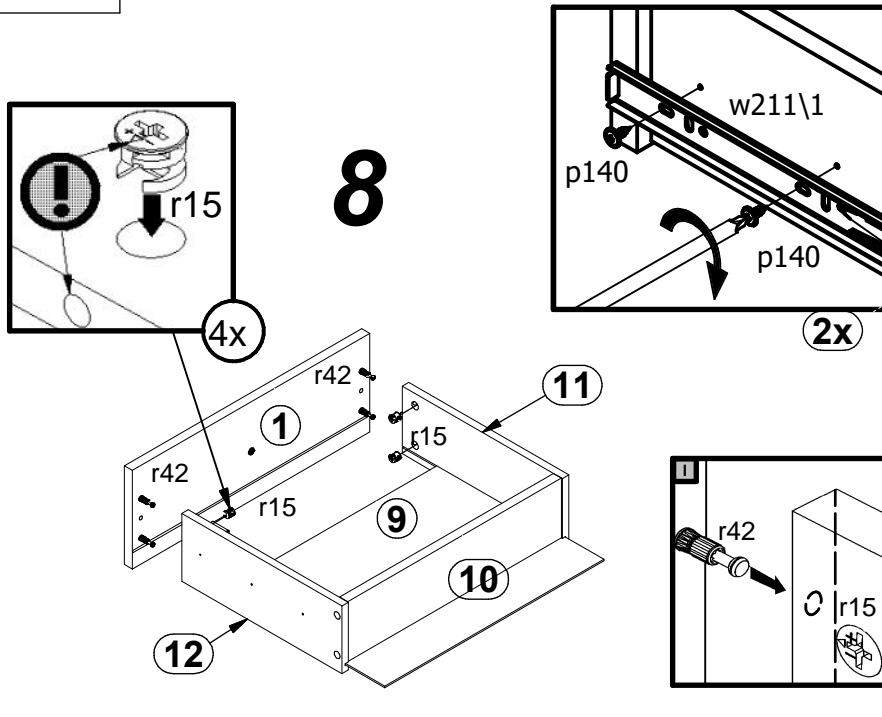
6



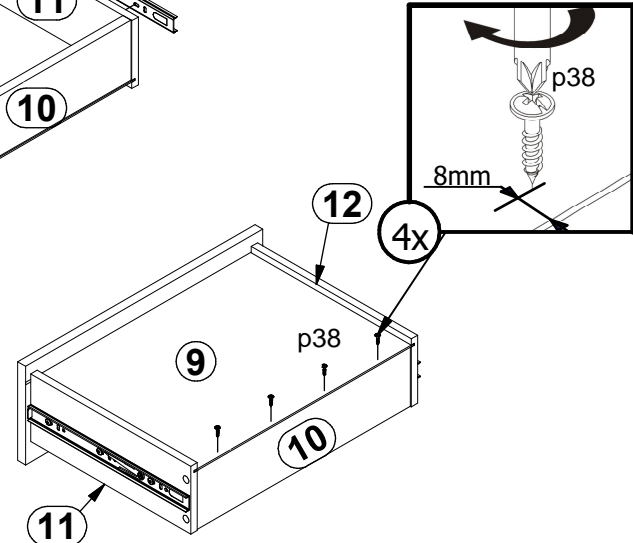
7



8



9



10

