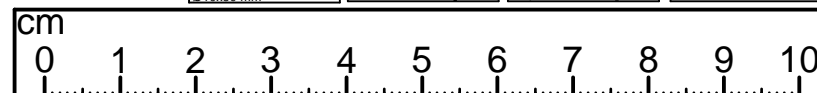
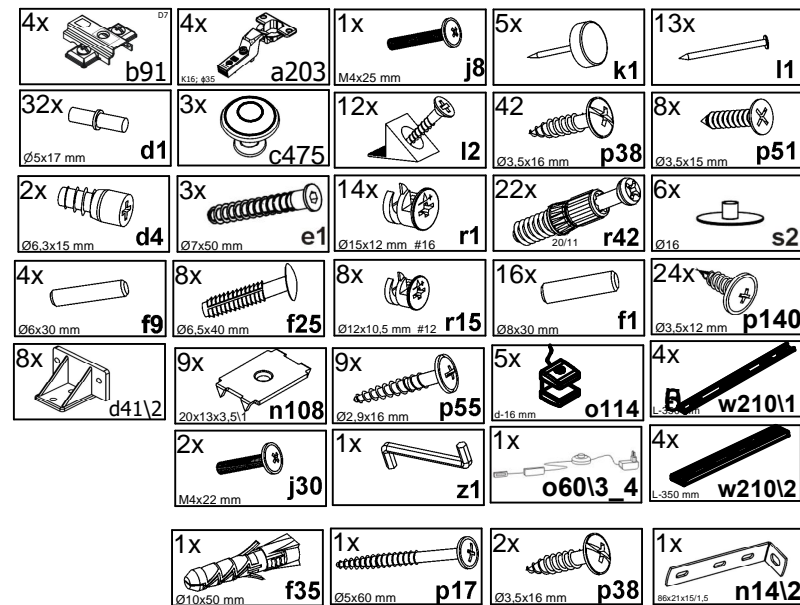
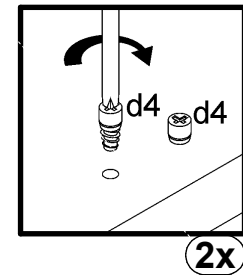
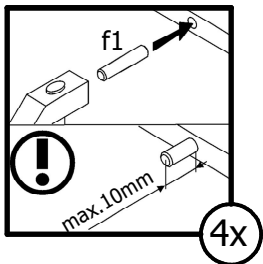
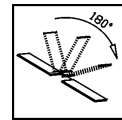
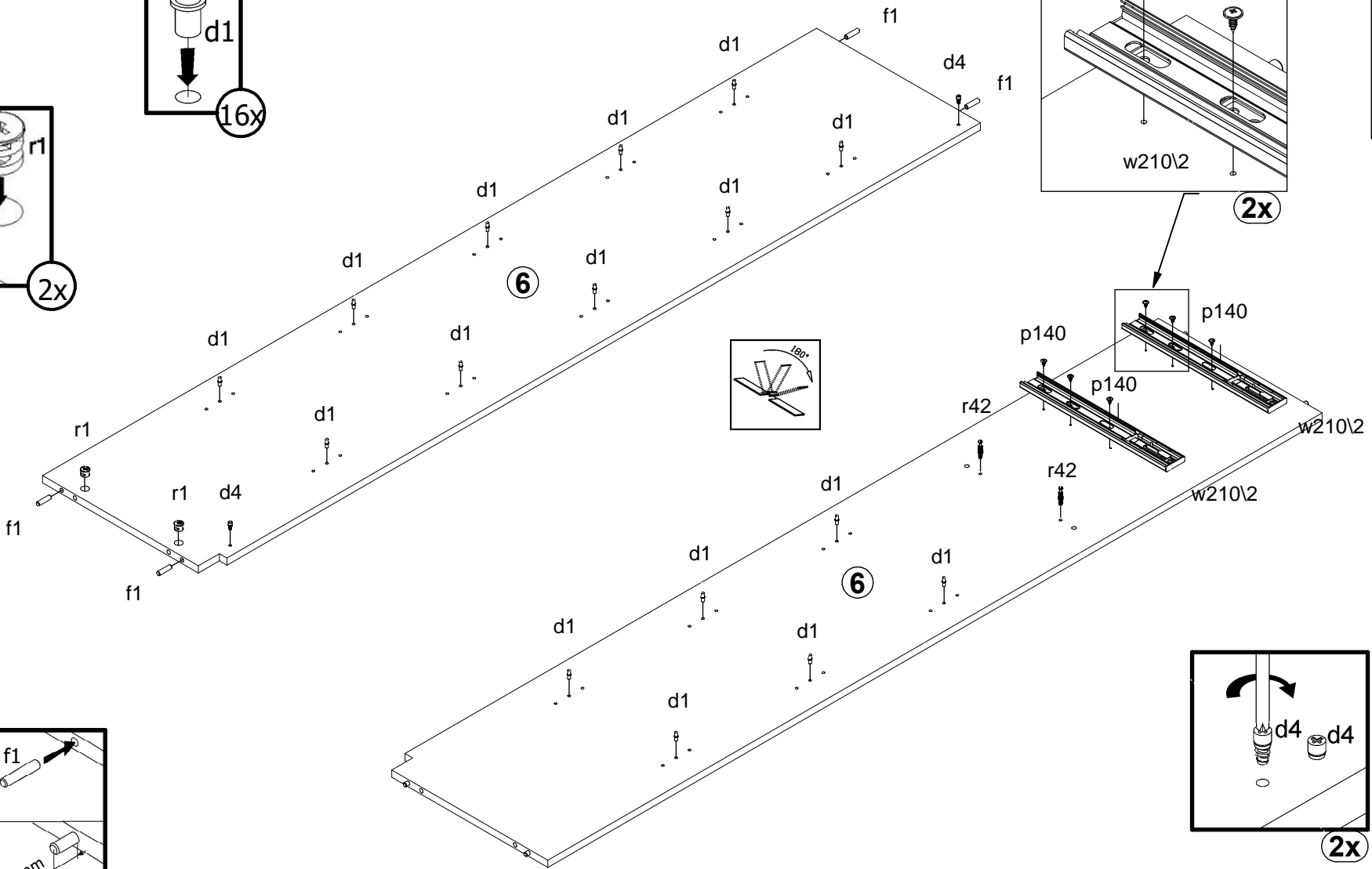
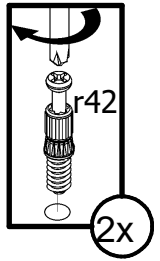
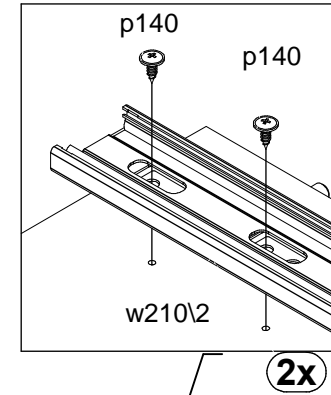
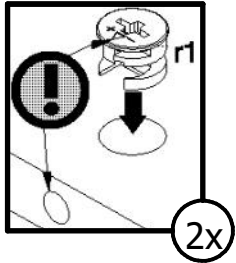
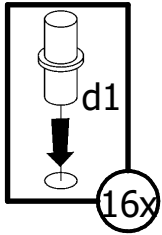


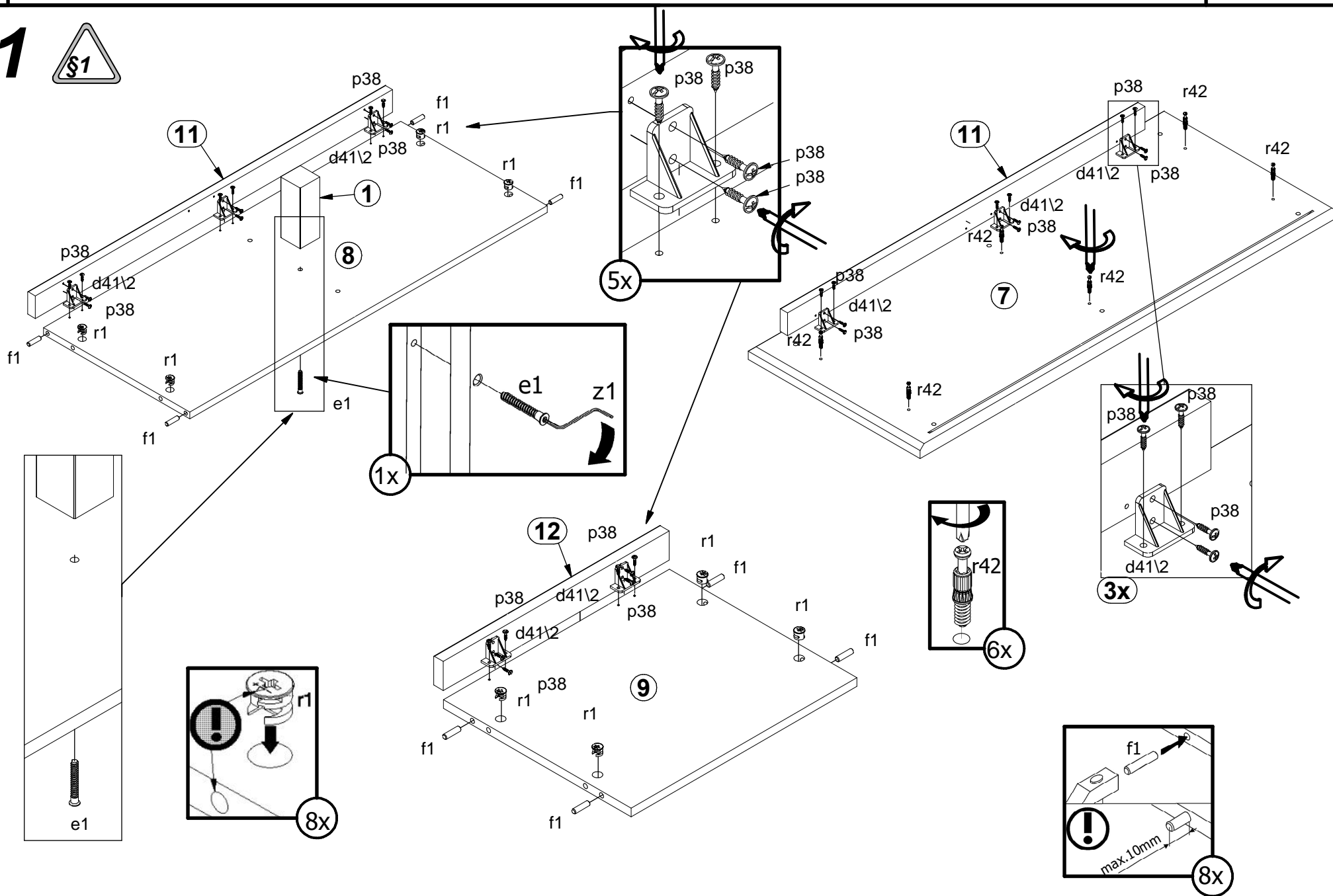
A	B	C1	C2	C3	D
1	S503-5005	134	50	50	3/4
2	S515-0001	1794	442	19	4/4
3	S515-0002	442	240	15	2/4
4	S515-1001	2000	413	50	3/4
5	S515-1002	2000	413	50	3/4
6	S515-1003	1851	391	15	4/4
7	S515-2001	1060	438	28	2/4
8	S515-3001	911	373	15	1/4
9	S515-3002	448	372	15	2/4
10	S515-3003	447	362	15	1/4
11	S515-5201	911	50	19	4/4
12	S515-5202	448	50	19	4/4
13	S515-9001	1869	460	2,5	4/4
14	S515-9002	1869	460	2,5	4/4
15	WSP-9329	408	358	2,5	2/4
16	ZK3-5060	398	167	15	2/4
17	ZK4-503	350	180	12	2/4
18	ZK4-504	350	180	12	2/4

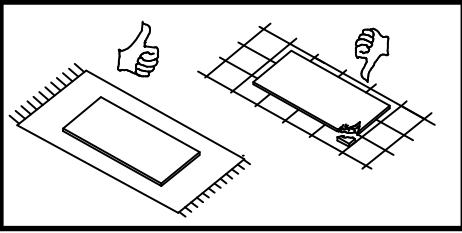


1



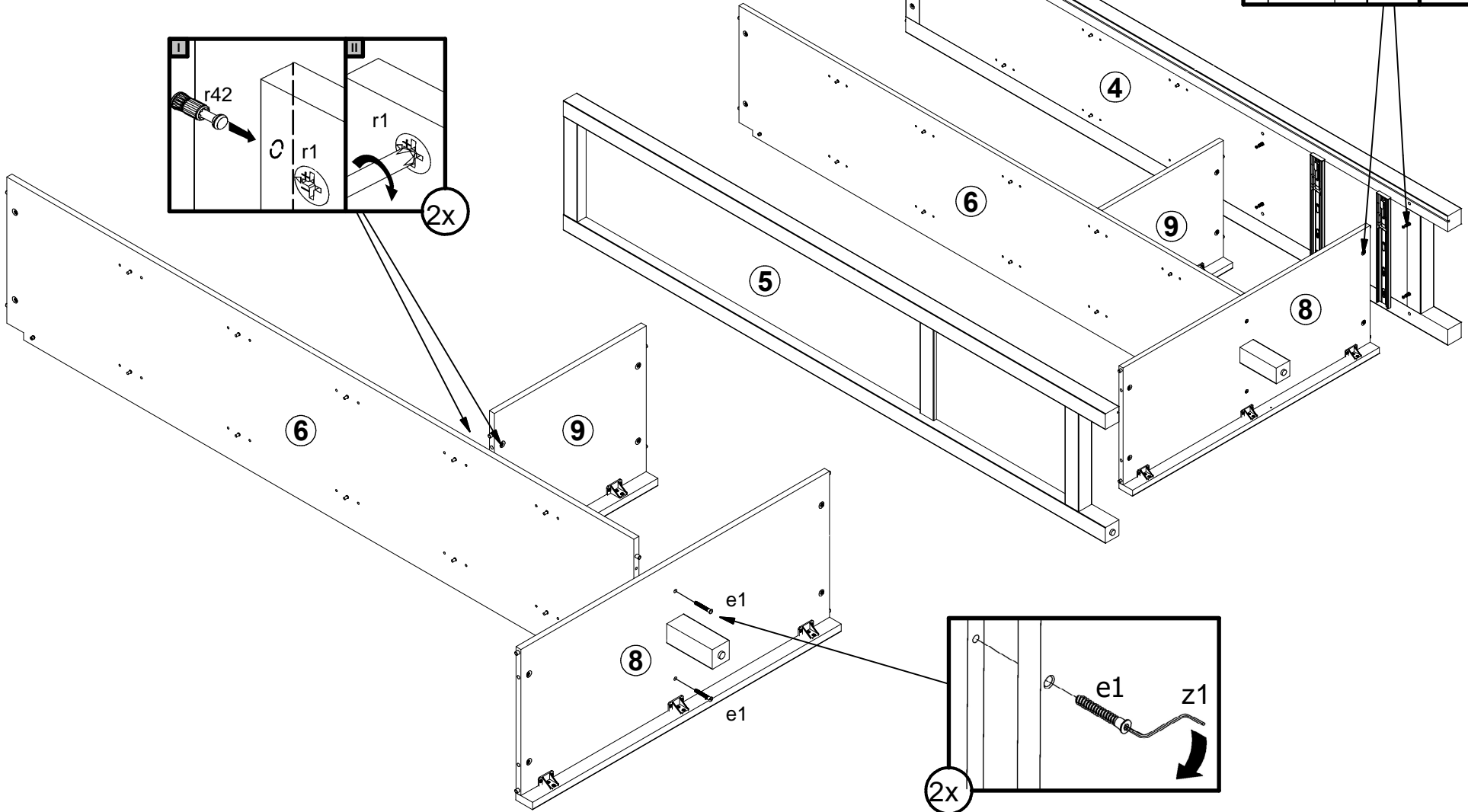
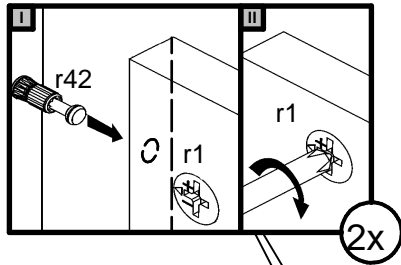
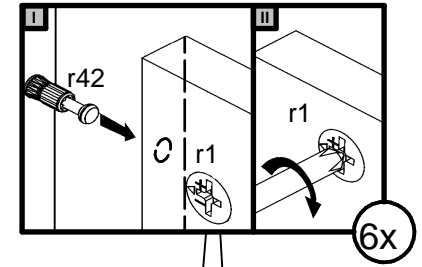
1

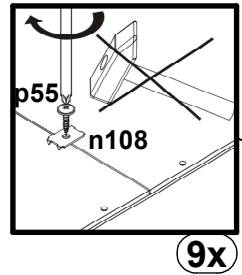
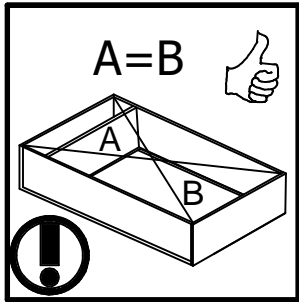




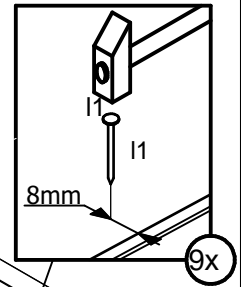
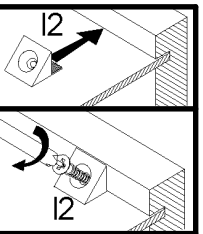
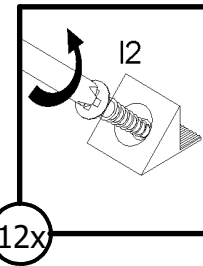
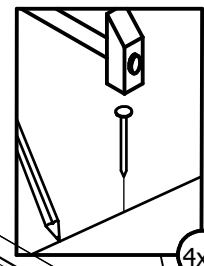
2

3

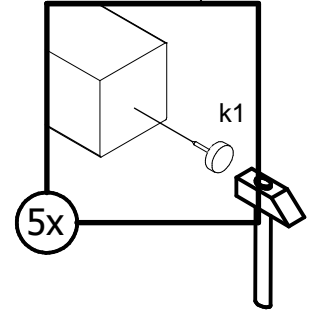
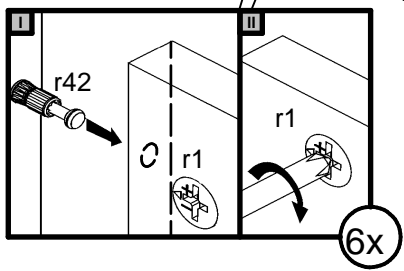
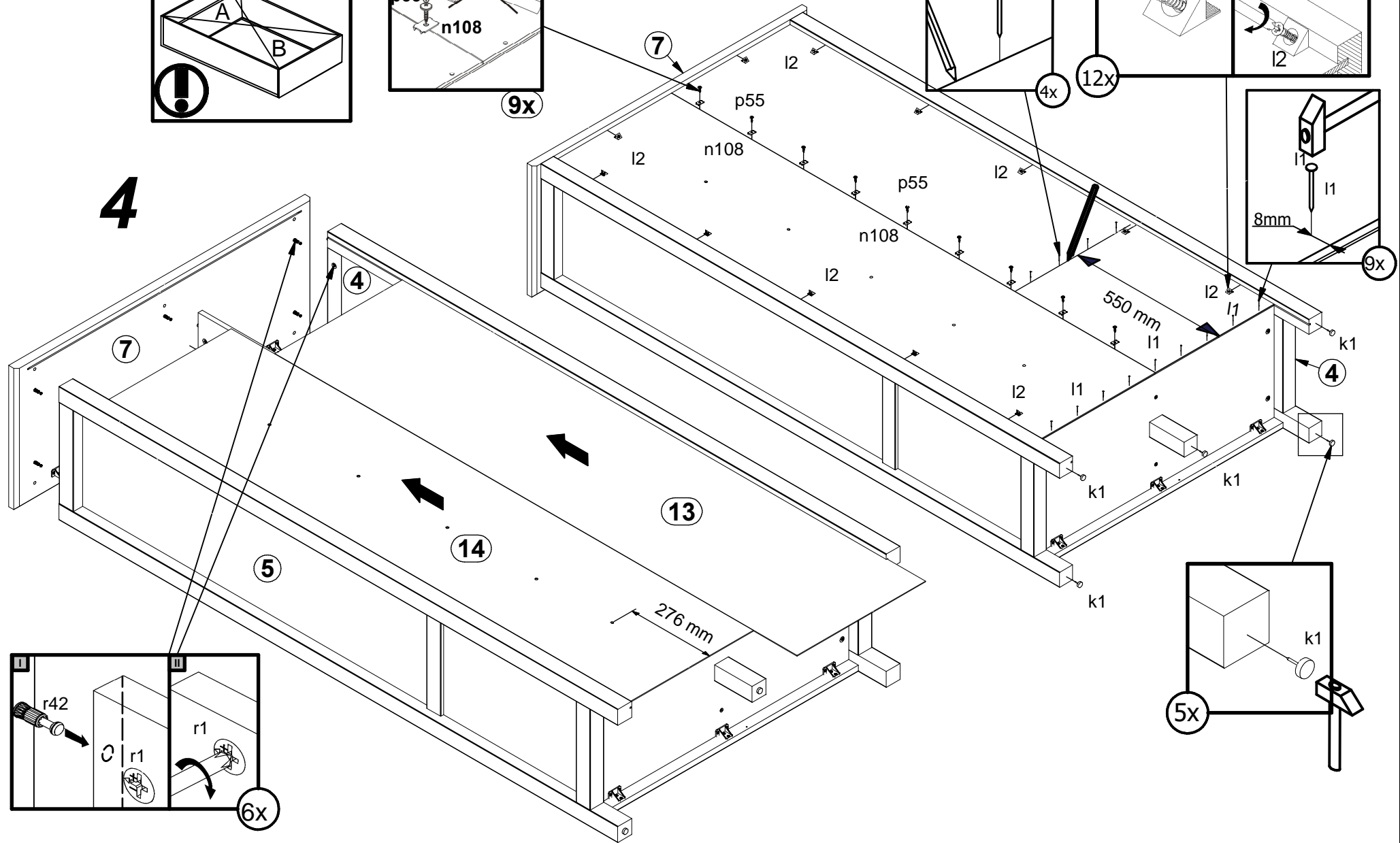




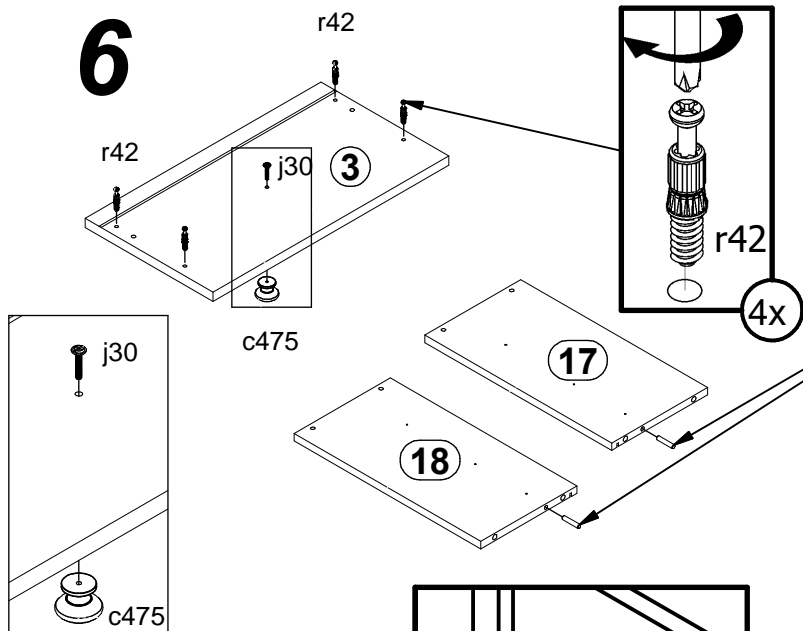
5



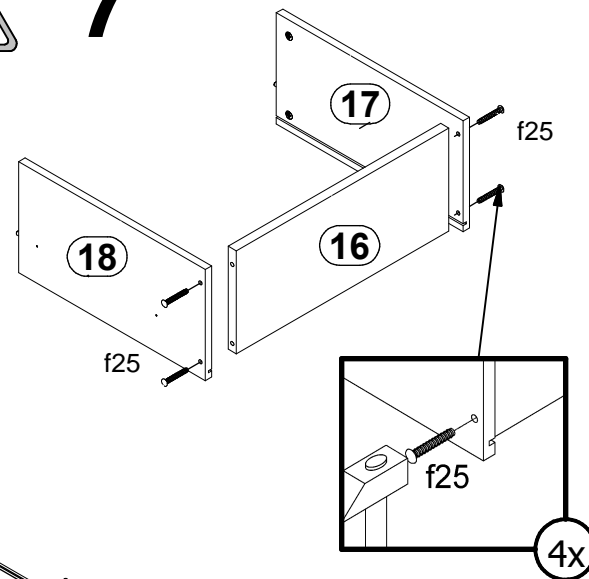
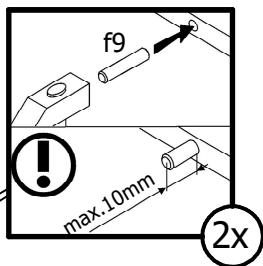
4



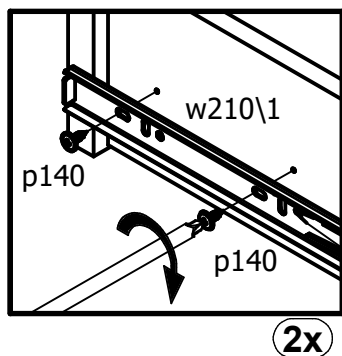
6



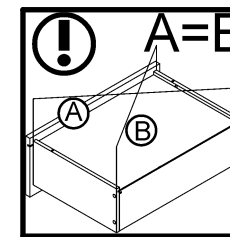
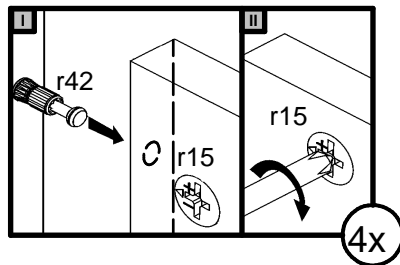
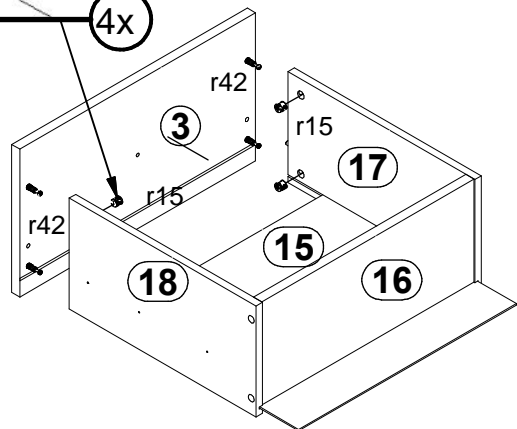
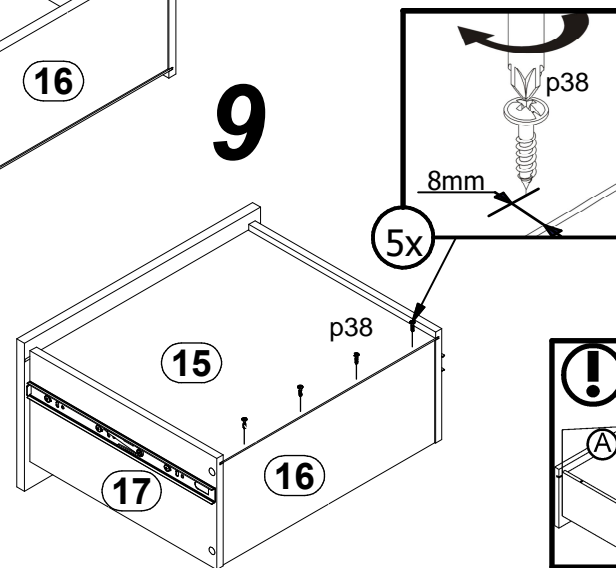
7



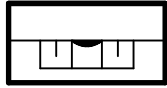
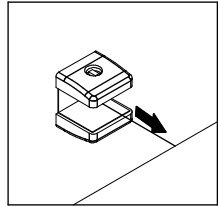
8



9



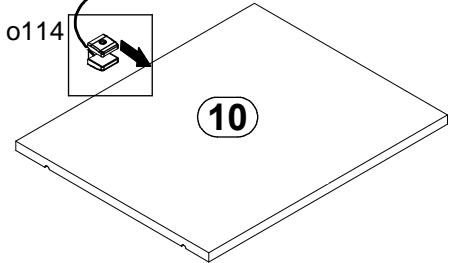
10



7

4

5x



o114

10

10

10

10

10

10

10

10

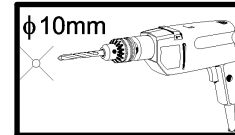
10

10

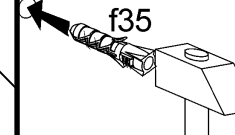
3

3

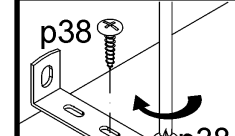
5



φ 10mm



f35



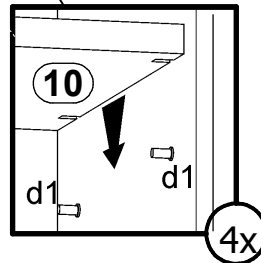
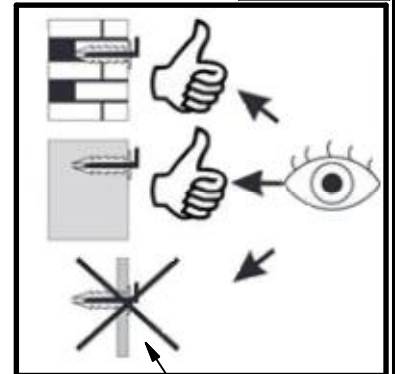
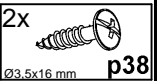
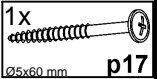
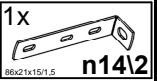
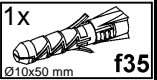
p38

n14/2

f35

n14/2

p17

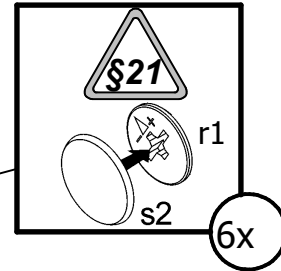
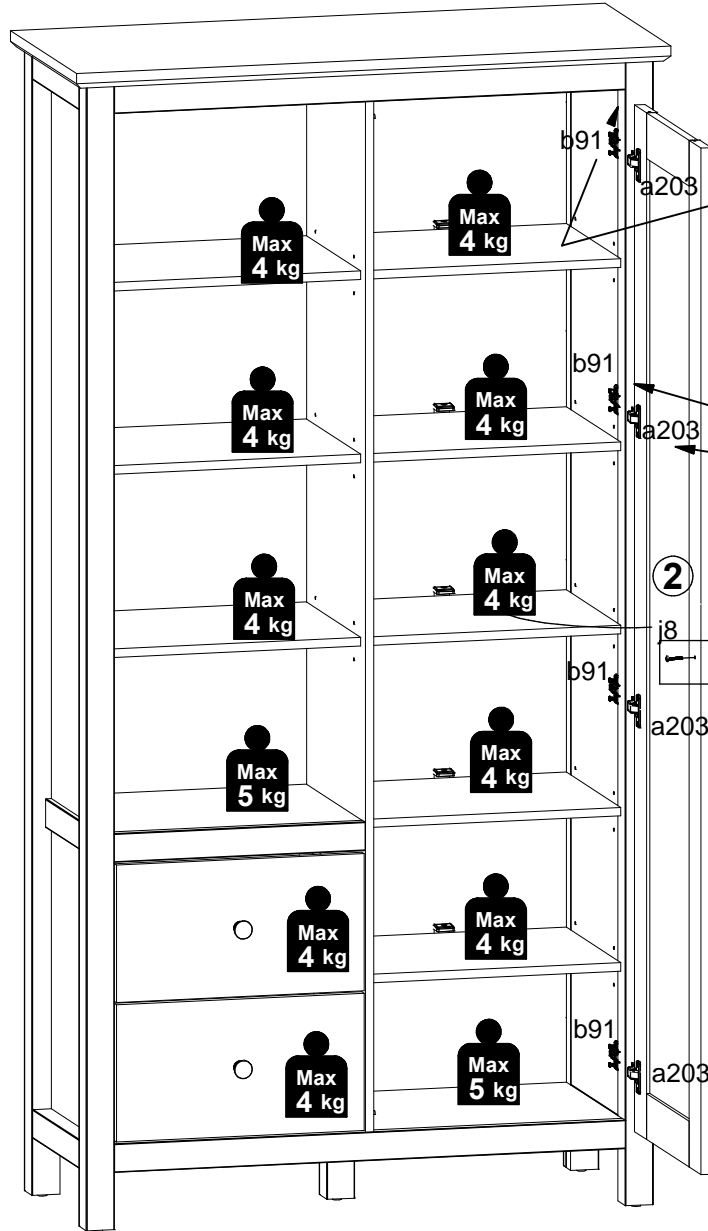


10

d1

d1

4x



11

