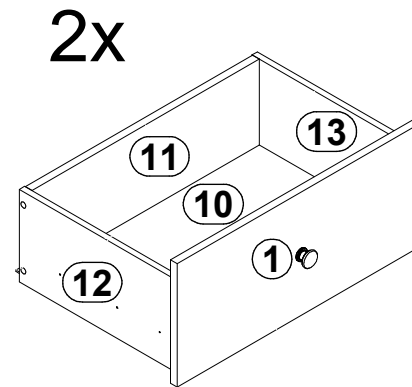


A	B	C1	C2	C3	D
1	S515-0005	555	240	15	1/2
2	S515-1001	2000	413	50	2/2
3	S515-1006	2000	413	50	2/2
4	S515-2002	710	438	28	1/2
5	S515-3004	561	373	15	1/2
6	S515-3005	560	362	15	1/2
7	S515-3006	561	372	15	1/2
8	S515-5203	561	50	19	1/2
9	S515-9301	1869	571	2,5	2/2
10	WSP-939	522	358	2,5	1/2
11	ZK3-5074	511	167	15	1/2
12	ZK4-503	350	180	12	1/2
13	ZK4-504	350	180	12	1/2

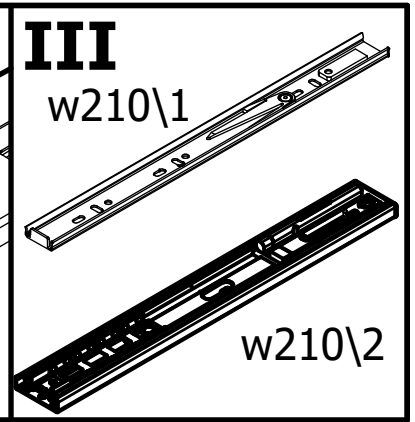
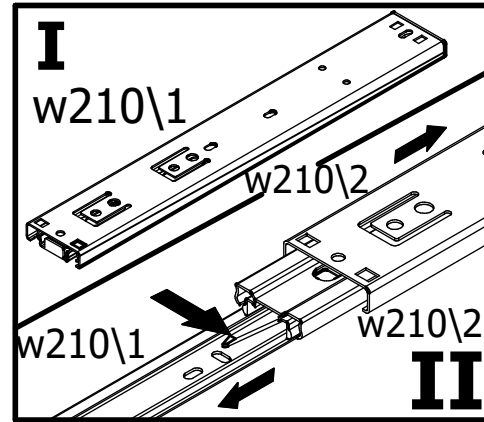
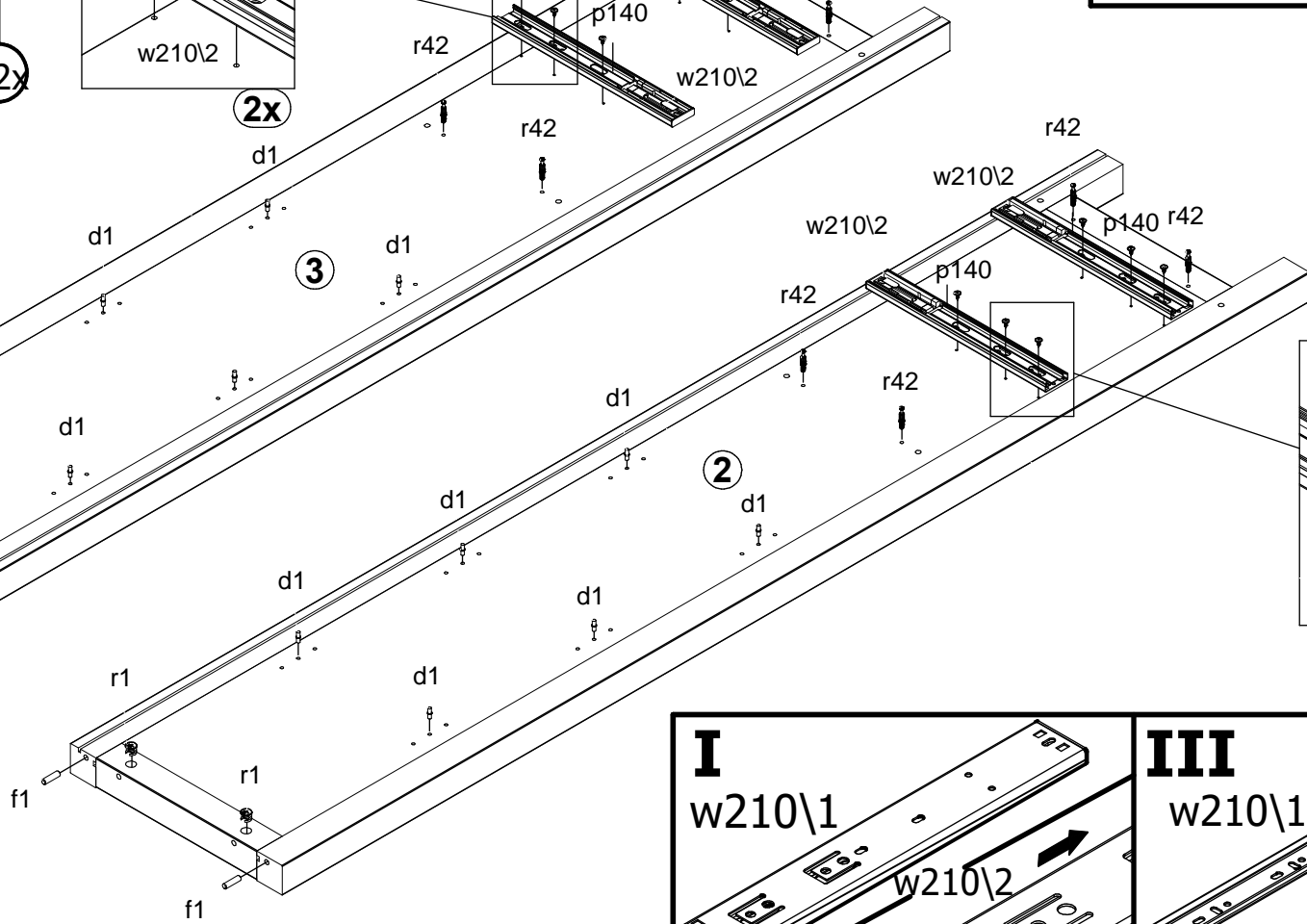
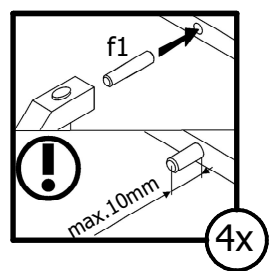
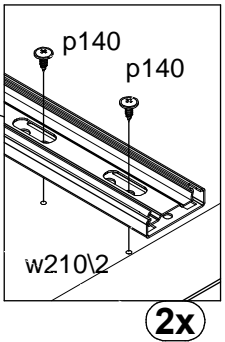
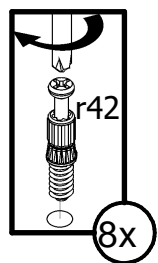
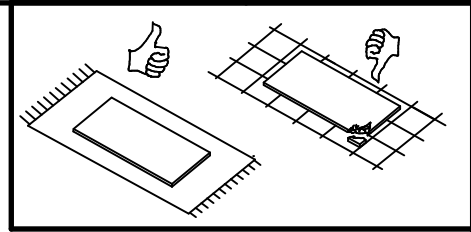
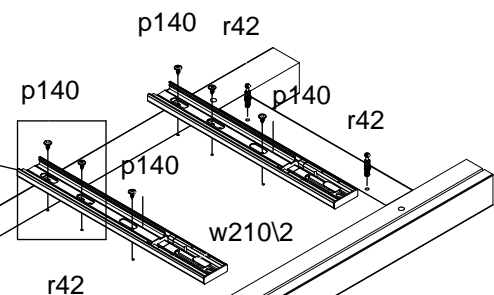
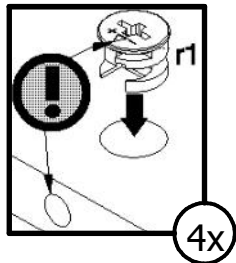
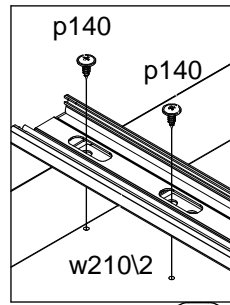
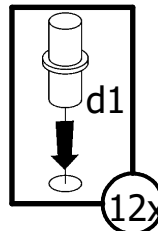


2x c475	4x Ø6x30 mm f9	8x Ø6,5x40 mm f25
12x Ø5x17 mm d1	6x d41\2	12x Ø8x30 mm f1
2x M4x22 mm j30	4x k1	10x l1
11x i2	36x Ø3,5x16 mm p38	4x Ø16 s2
12x Ø15x12 mm #16 r1	20x 20\11 r42	24x Ø3,5x12 mm p140
2x Ø3,5x16 mm p25	2x Ø3,5x10 mm p35	4x L-350 mm w210\1
8x Ø12x10,5 mm #12 r15	2x 350 mm t35	4x L-350 mm w210\2

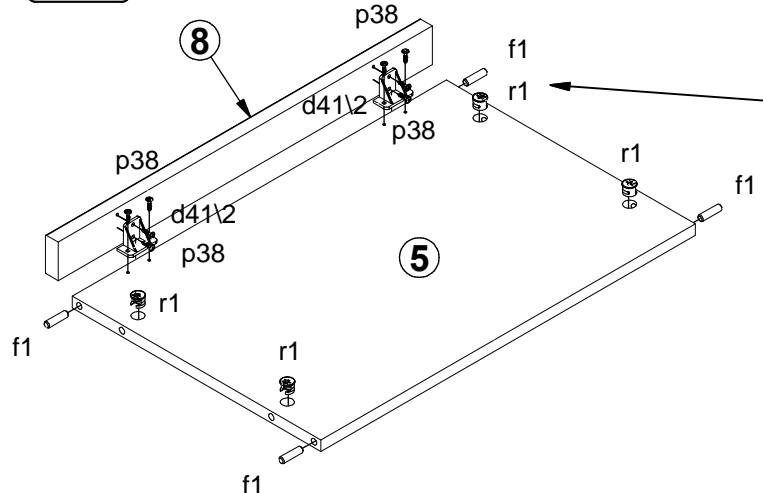
1x Ø10x50 mm f35	1x Ø5x60 mm p17	2x Ø3,5x16 mm p38	1x 88x21x15/1,5 n14\2
------------------------	-----------------------	-------------------------	-----------------------------



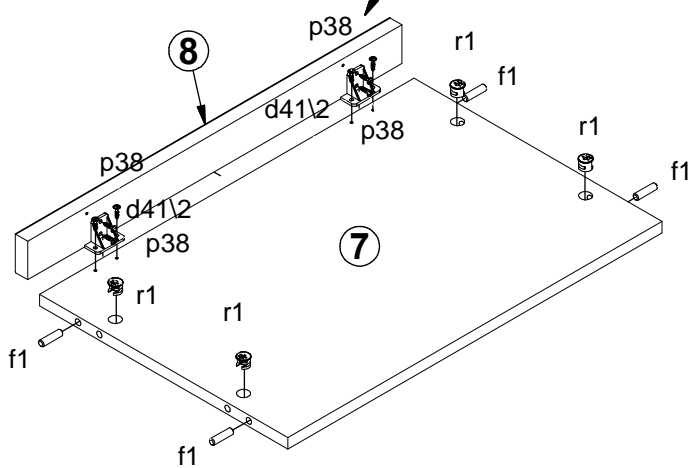
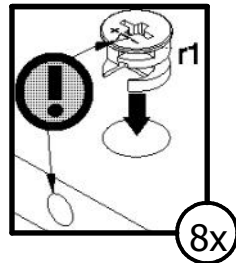
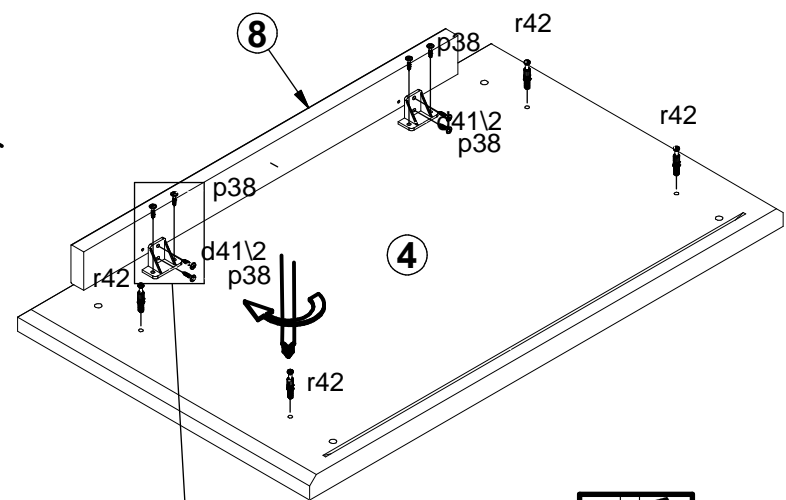
1 



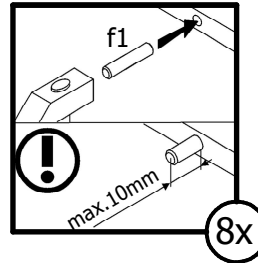
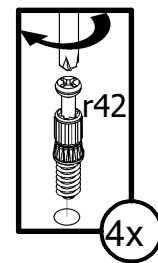
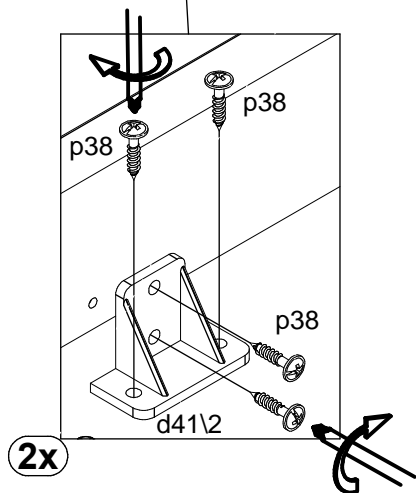
1

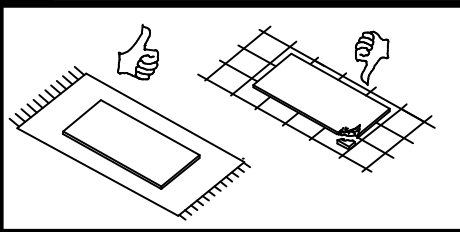


4x

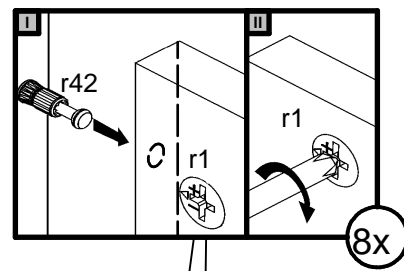
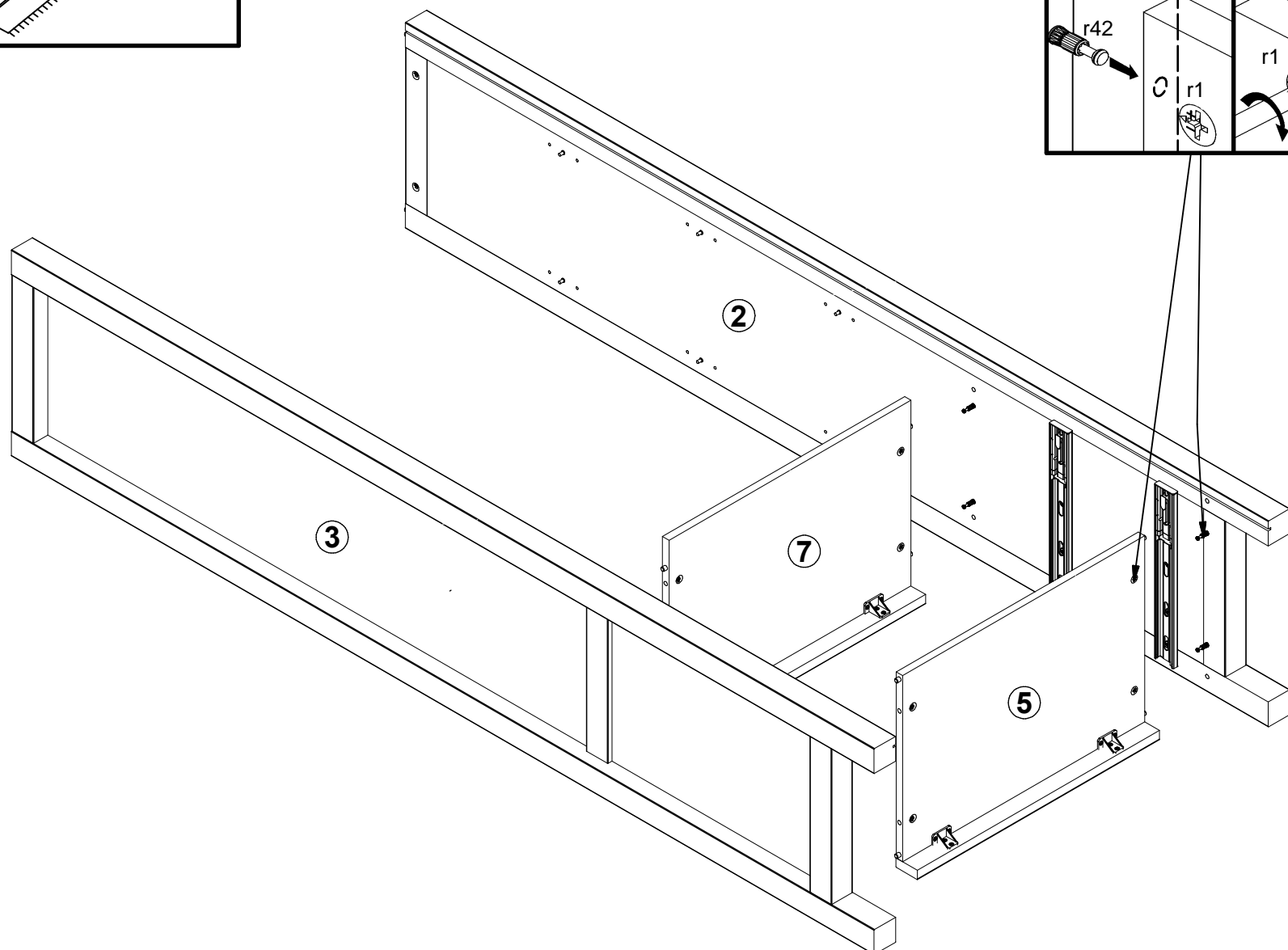


7

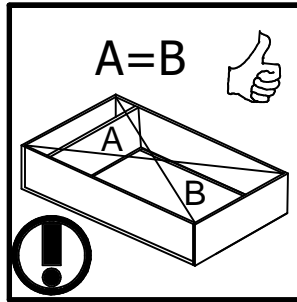




2

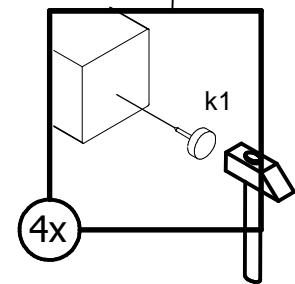
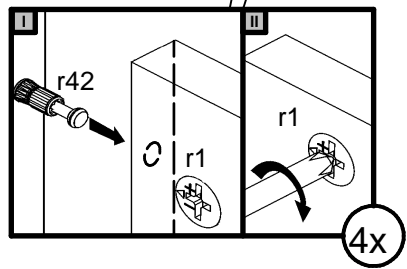
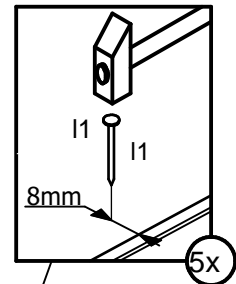
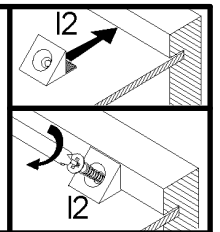
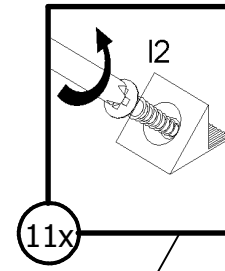
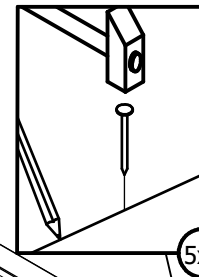
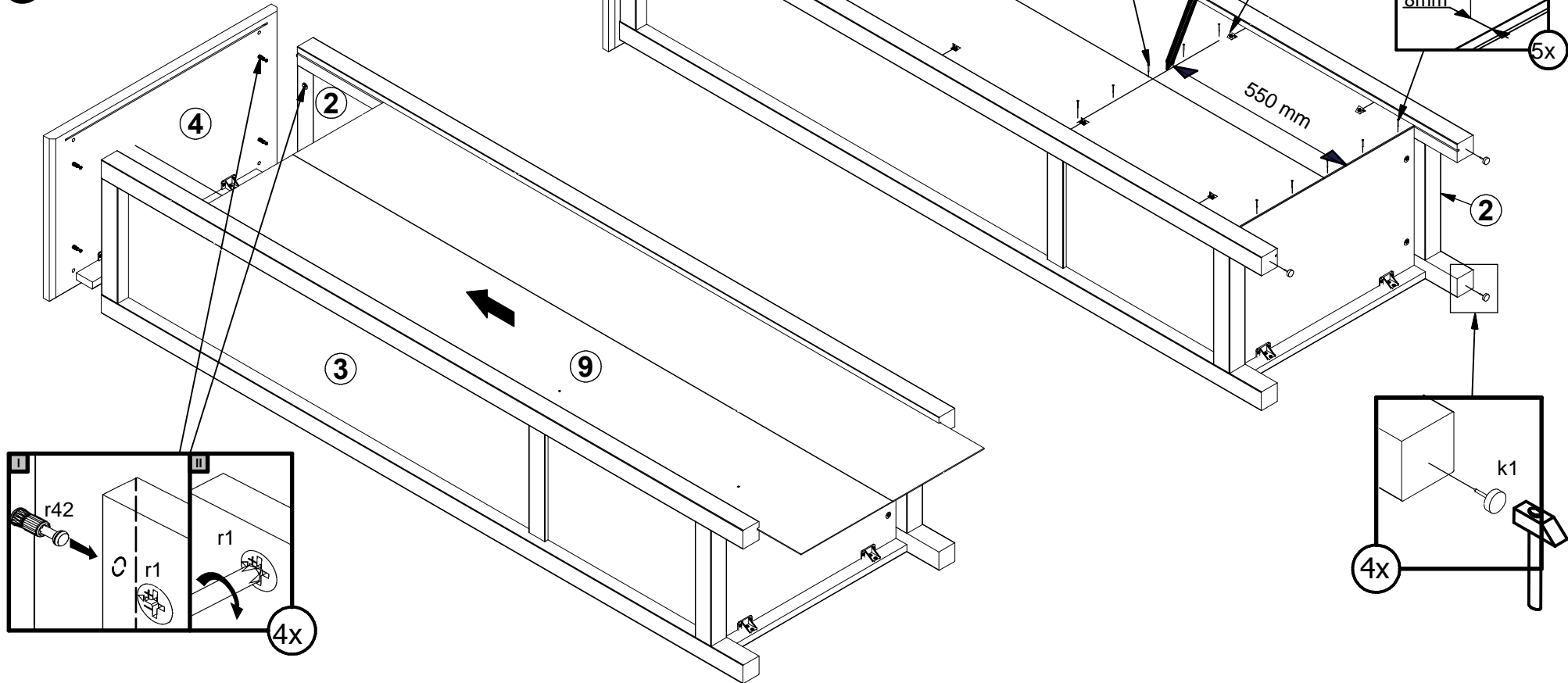


8x

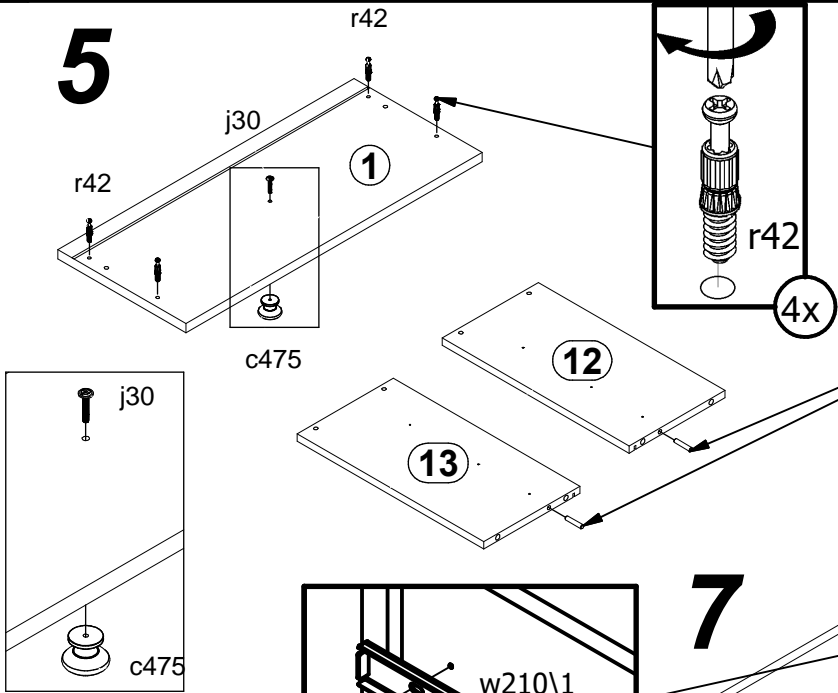


3

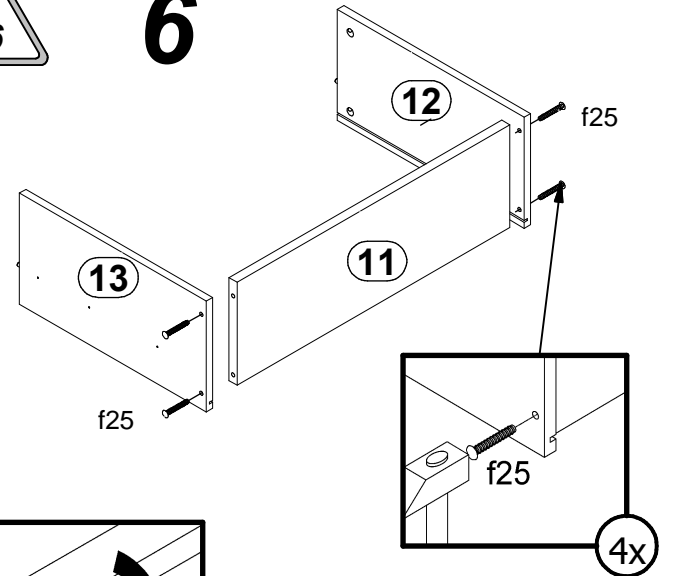
4



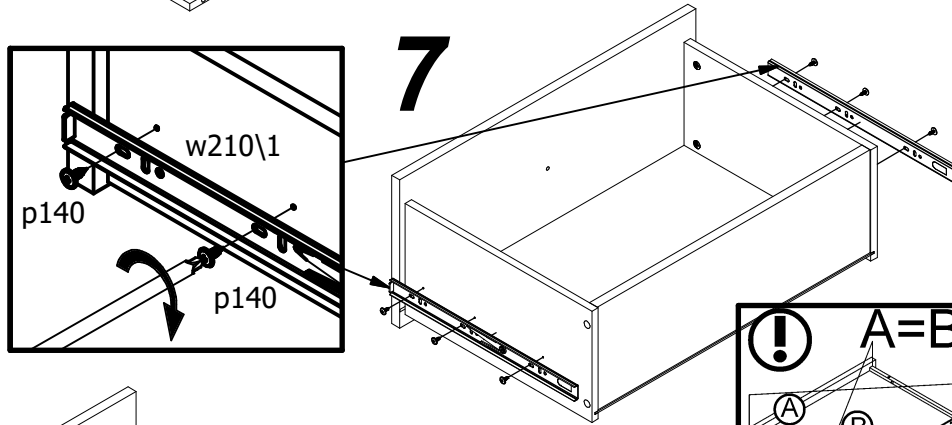
5



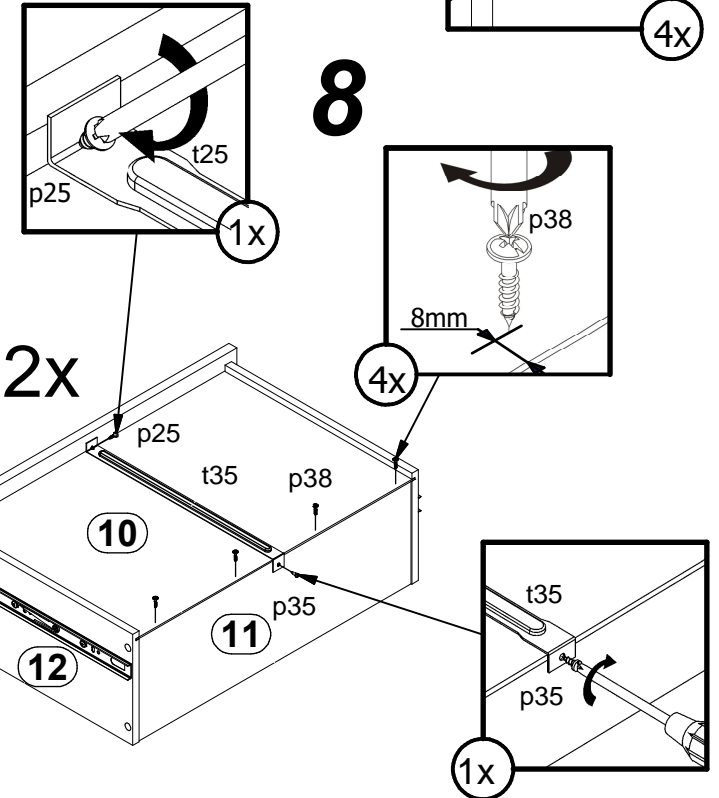
6



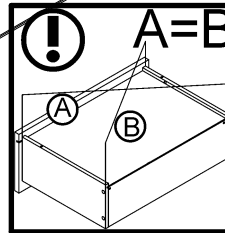
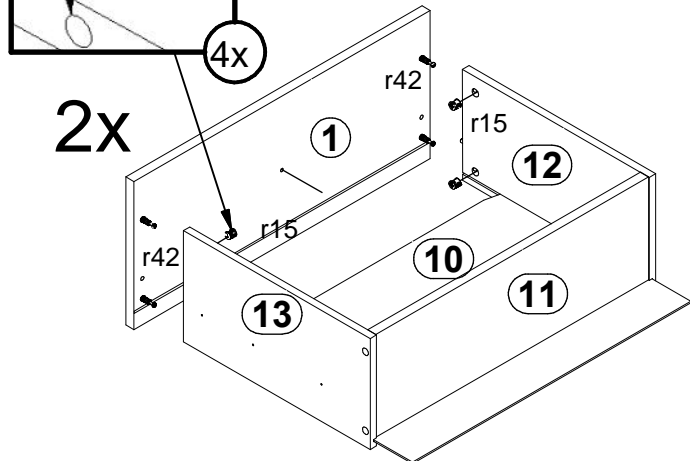
7



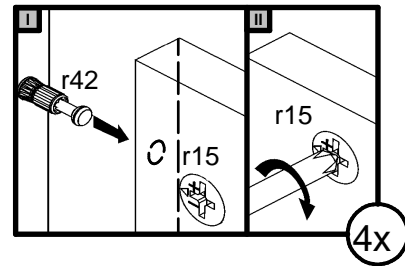
8



2x

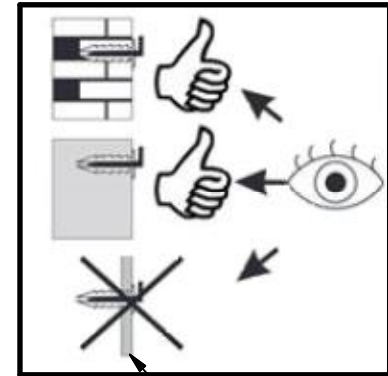
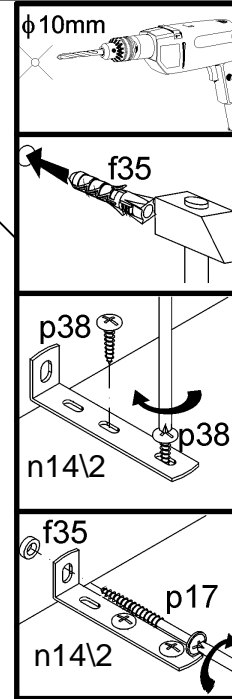
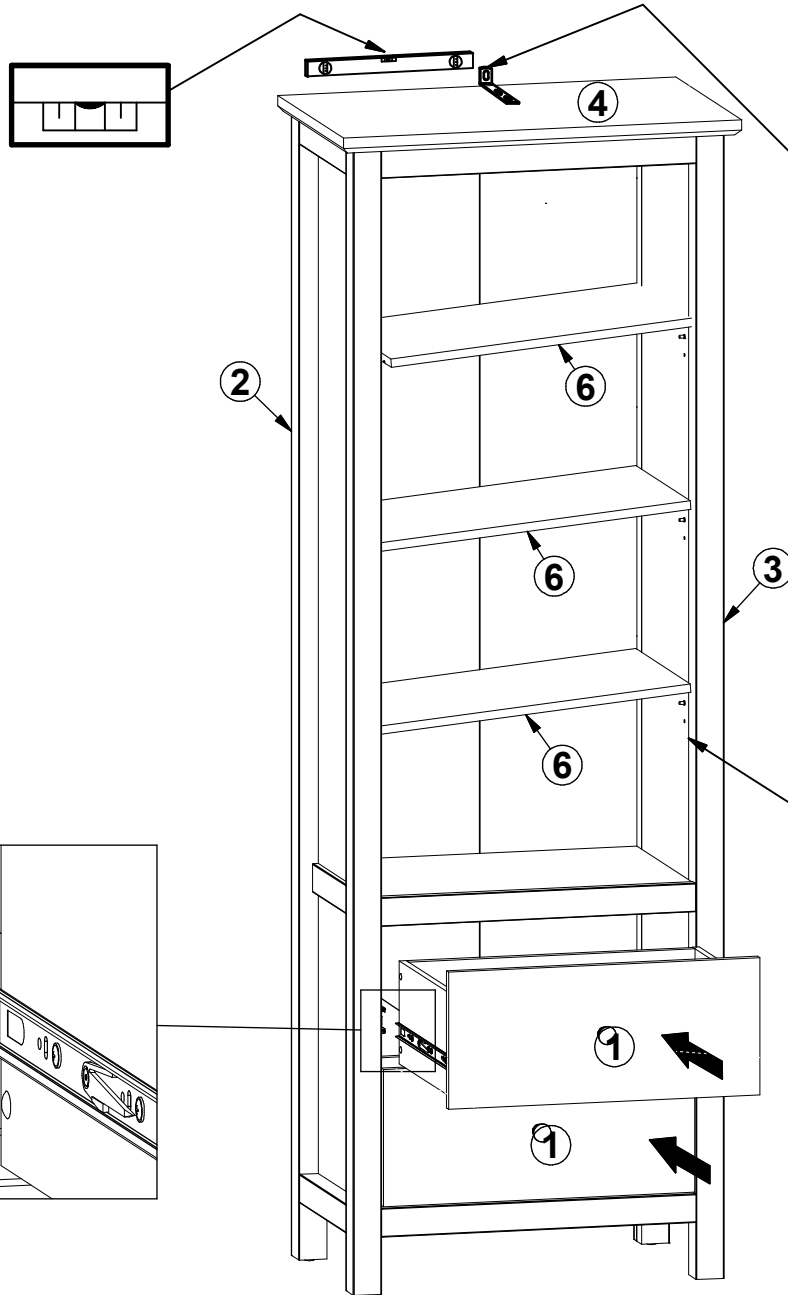


2x



1x

9

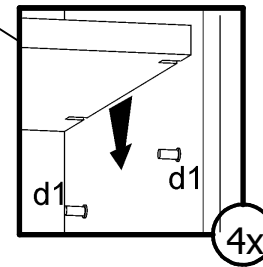
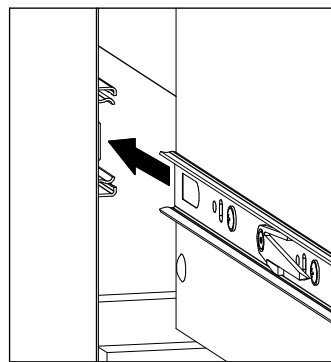


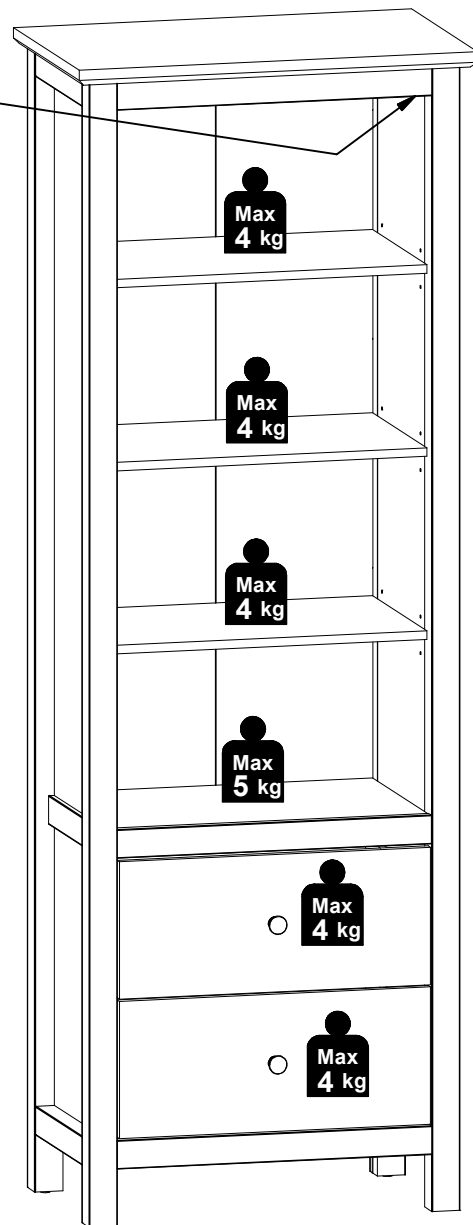
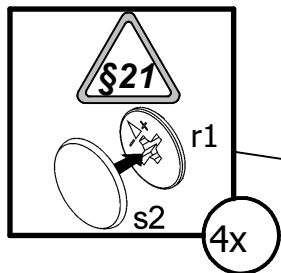
1x
 $\phi 10 \times 50$ mm
f35

1x
 86x21x151.5
n14\2

1x
 $\phi 5 \times 60$ mm
p17

2x
 $\phi 3.5 \times 16$ mm
p38





10

