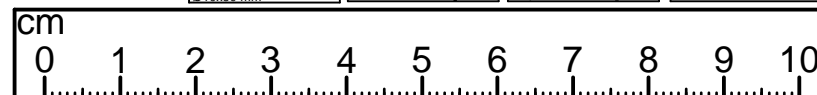
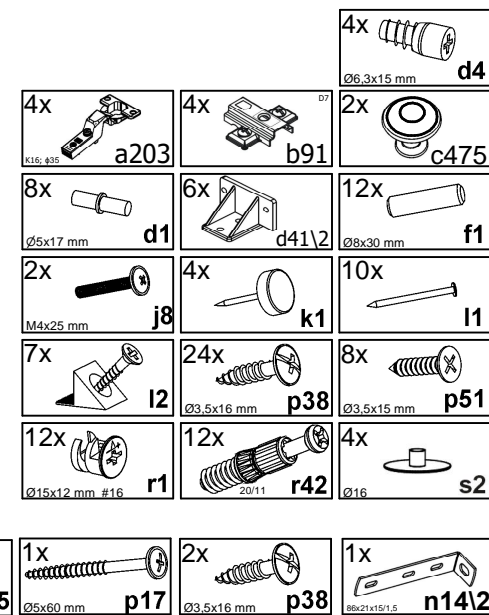
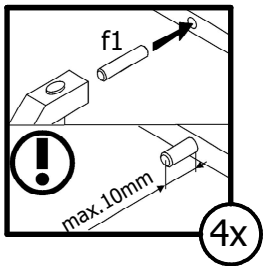
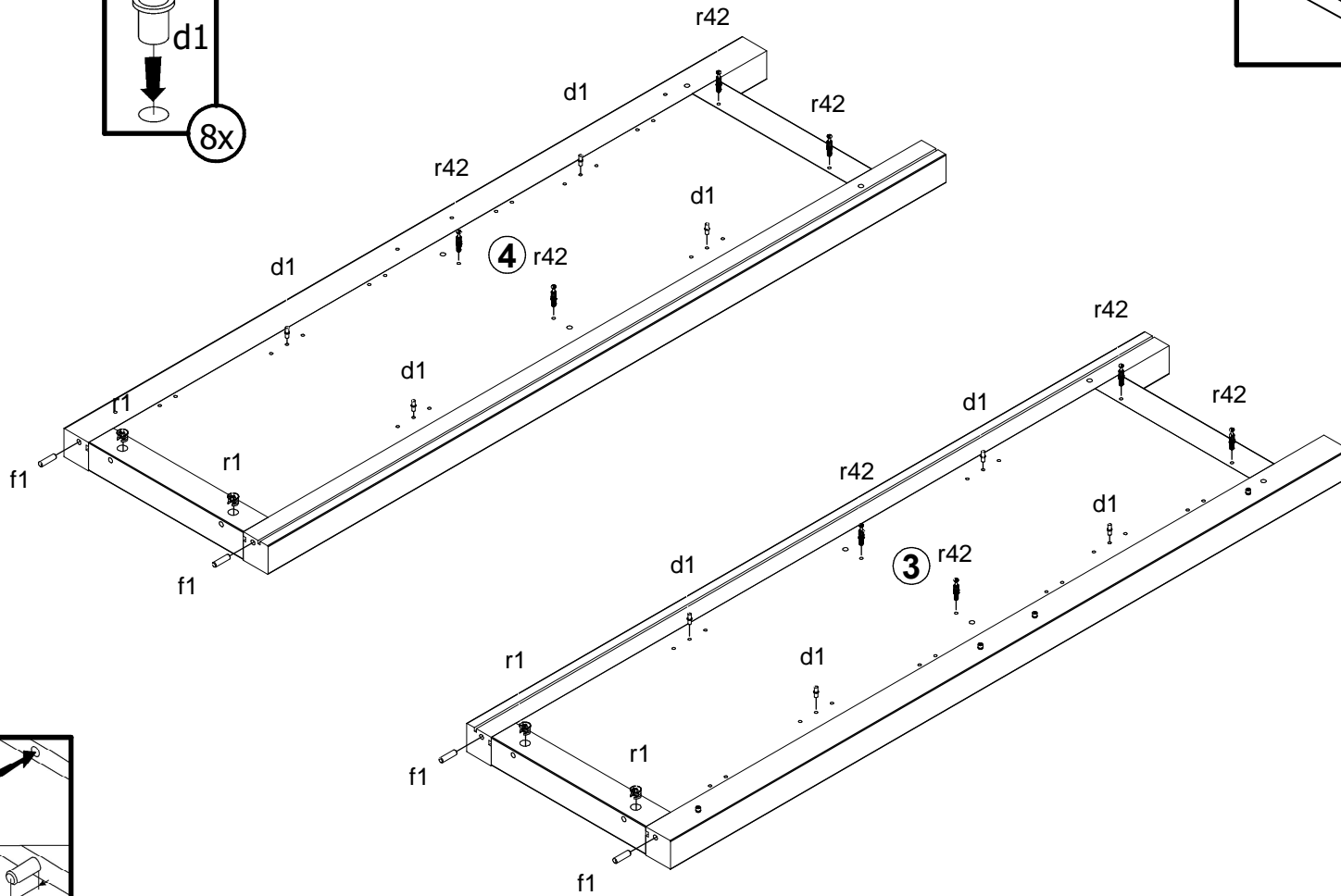
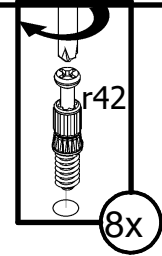
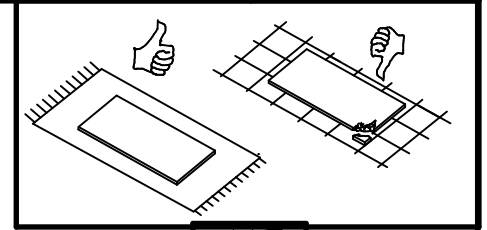
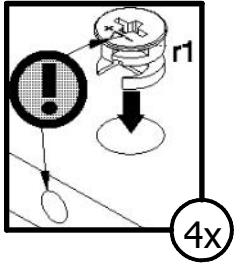
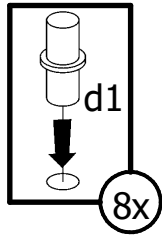
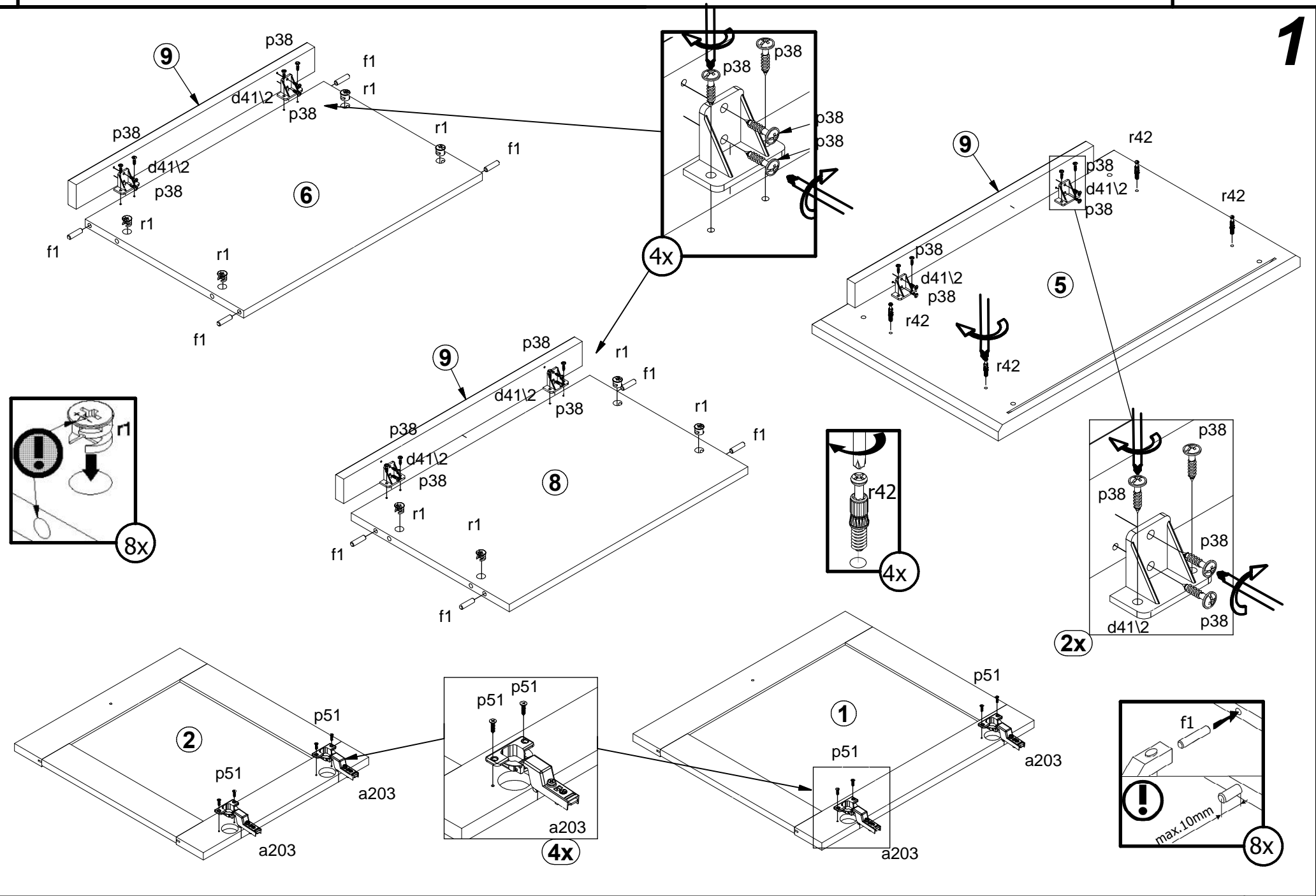
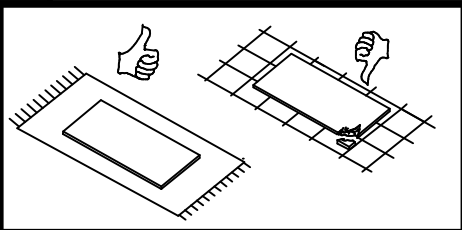


A	B	C1	C2	C3	D
1	S515-0006	624	555	19	2/2
2	S515-0004	486	555	19	2/2
3	S515-1009	1372	413	50	1/2
4	S515-1010	1372	413	50	1/2
5	S515-2002	710	438	28	2/2
6	S515-3004	561	373	15	2/2
7	S515-3005	560	362	15	2/2
8	S515-3006	561	372	15	2/2
9	S515-5203	561	50	19	2/2
10	S515-9004	1241	571	2,5	2/2

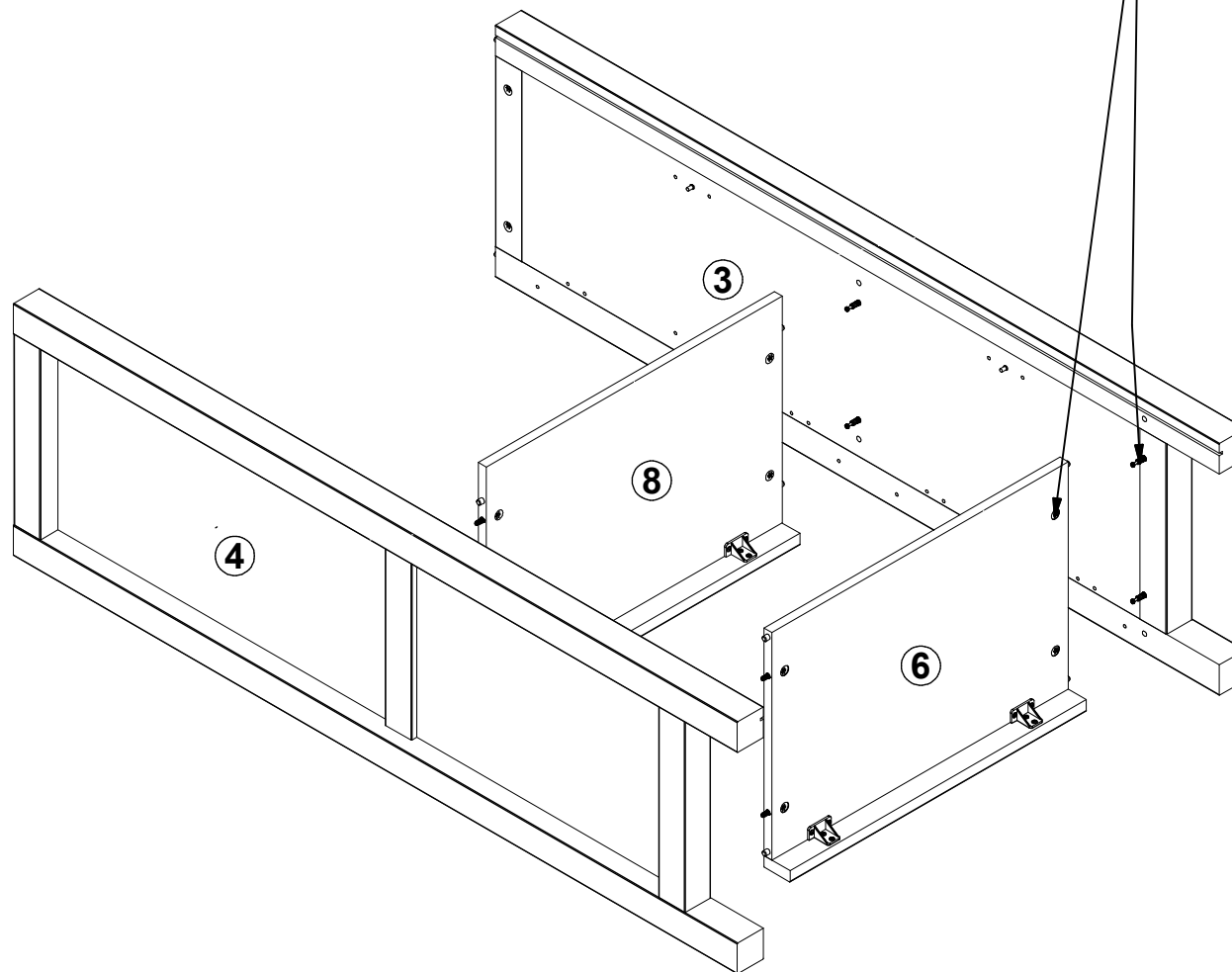
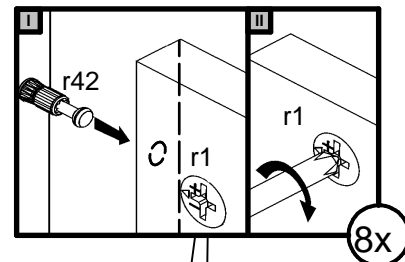


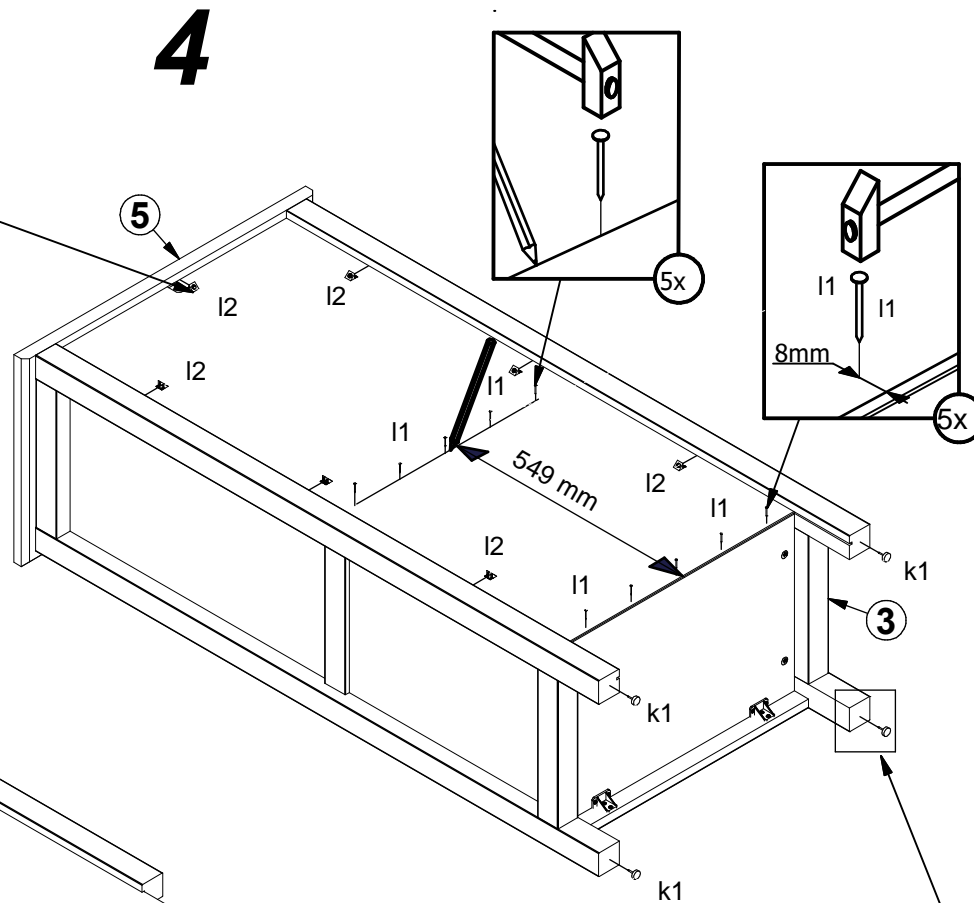
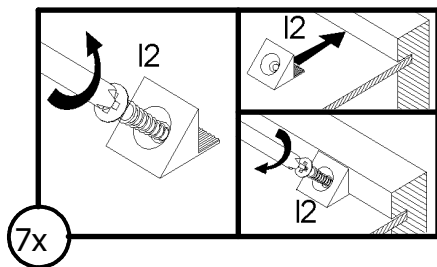
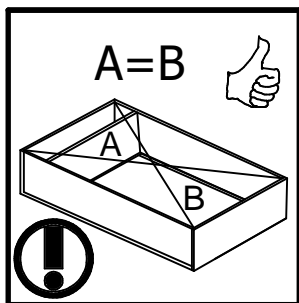




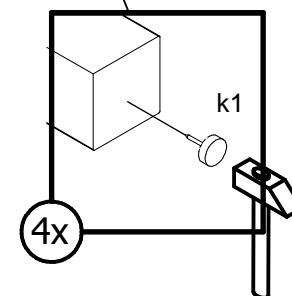
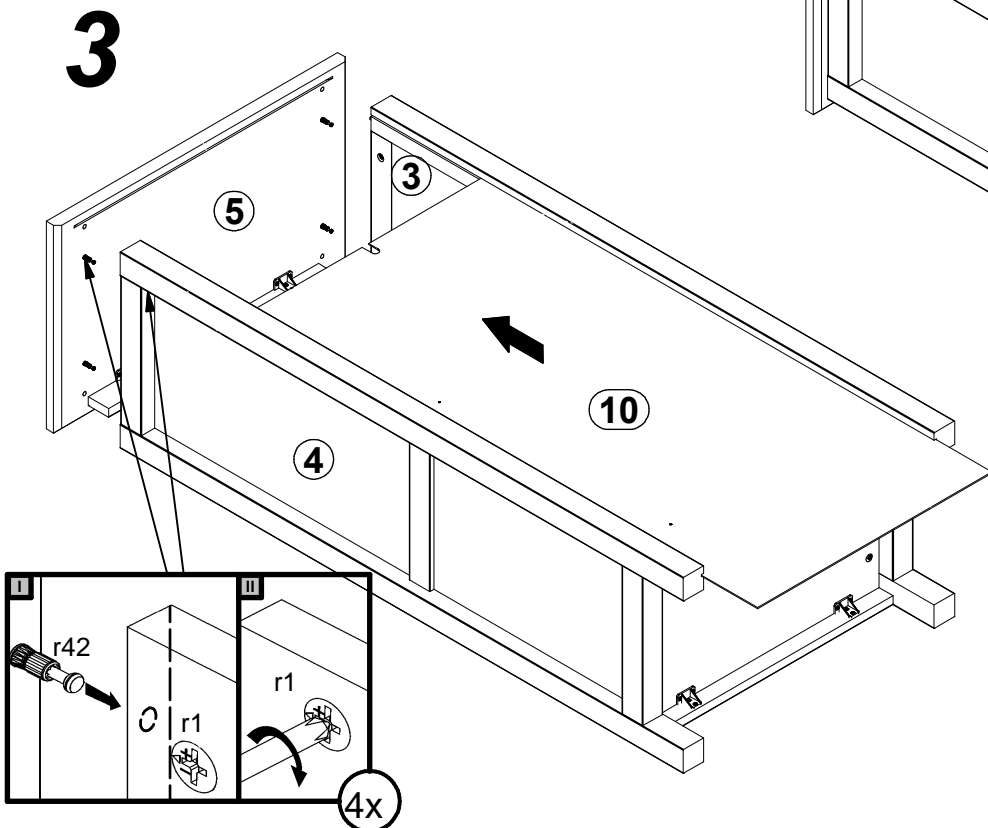


2

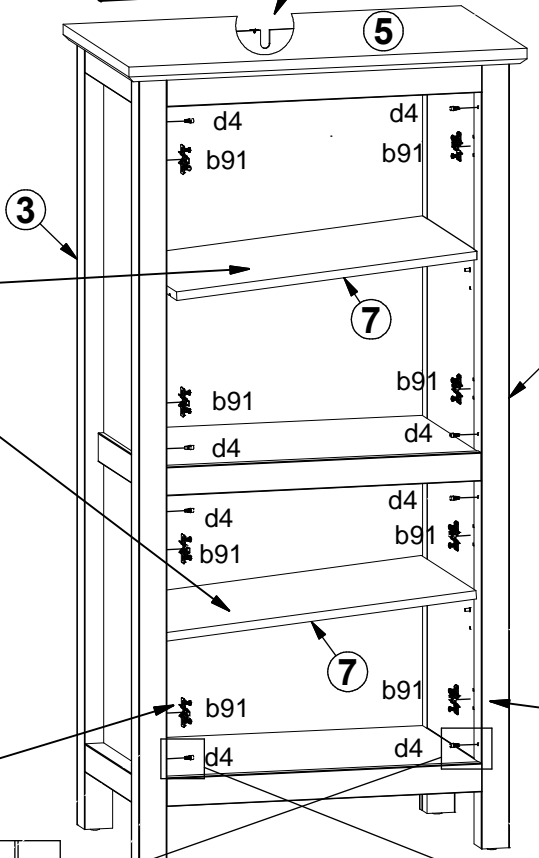
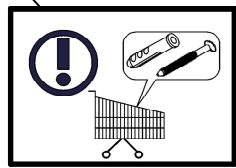
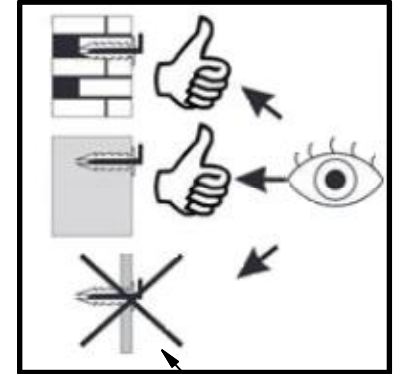
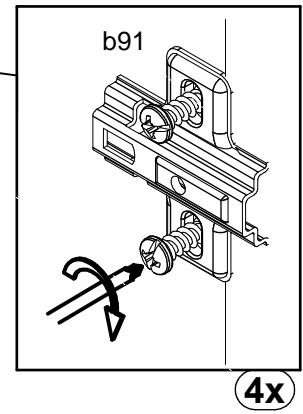
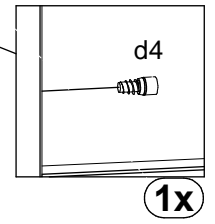
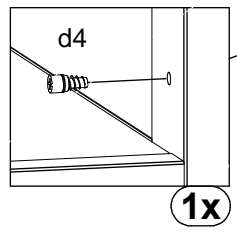
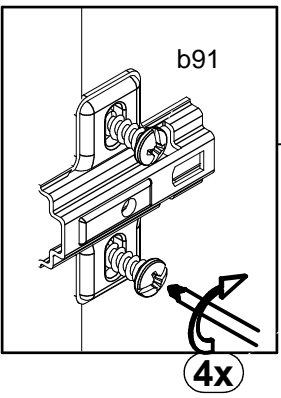
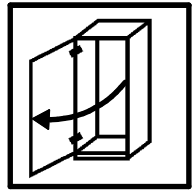
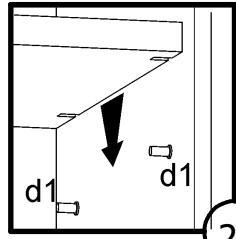
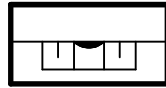
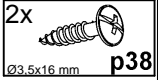
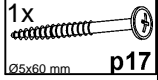
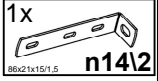
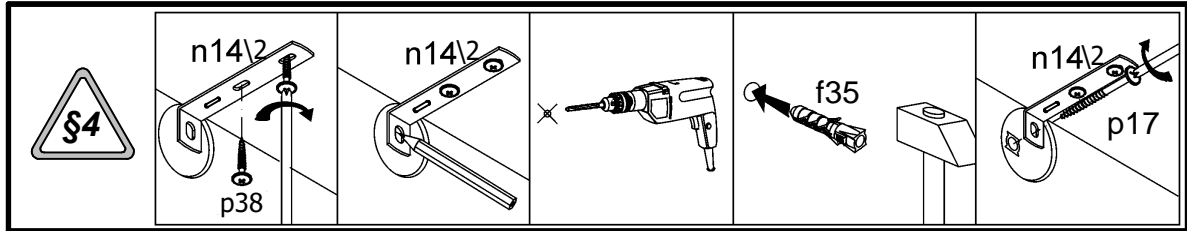
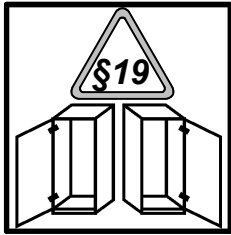


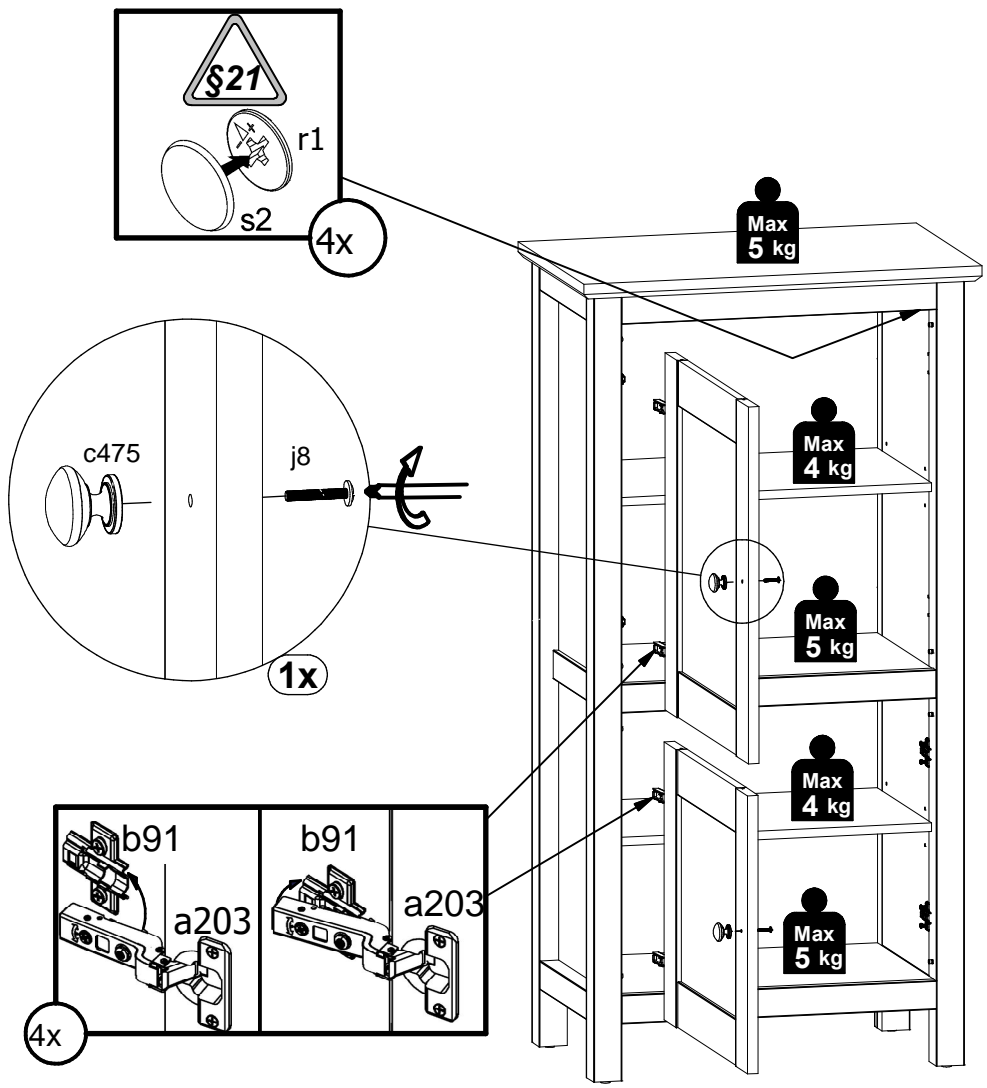


3



5





6

