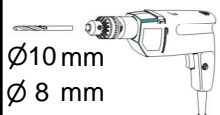
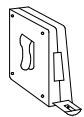
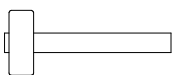
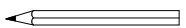
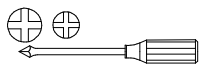
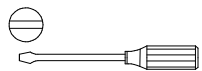
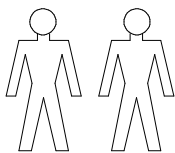
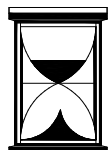
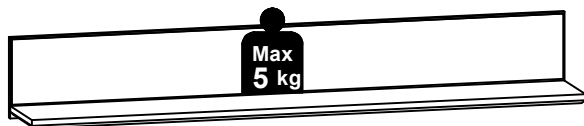


A**S515-P/2/18 I**

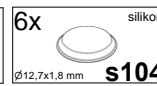
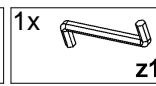
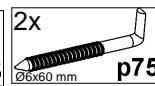
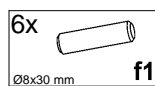
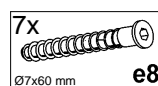
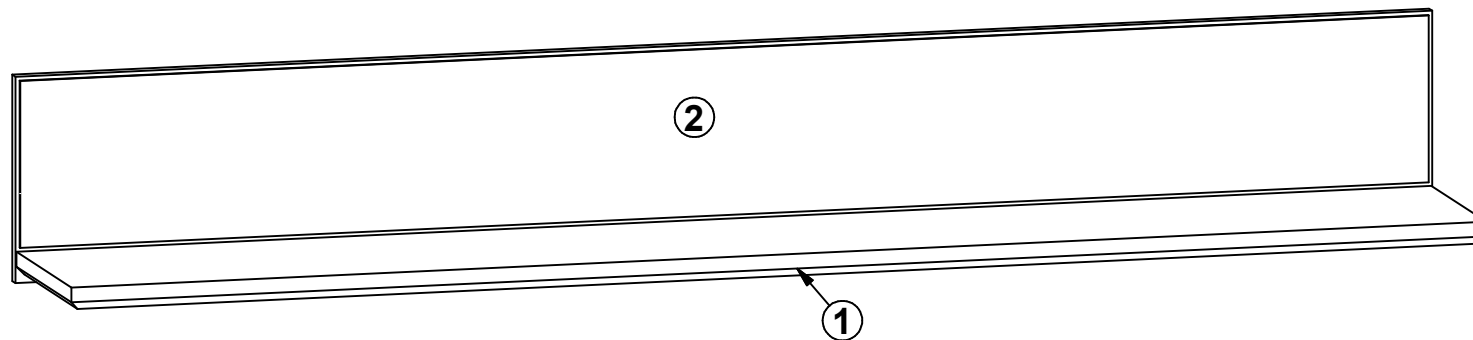
Ø10 mm
Ø 8 mm

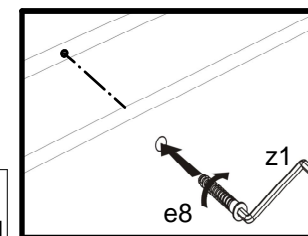
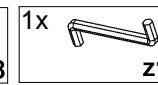
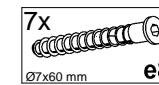
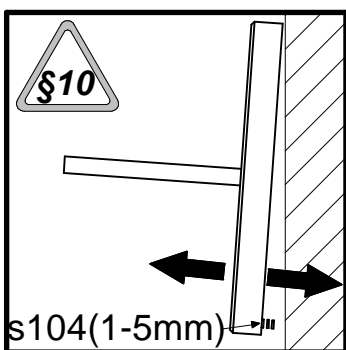
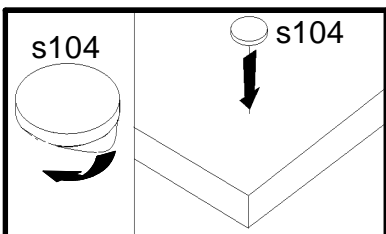
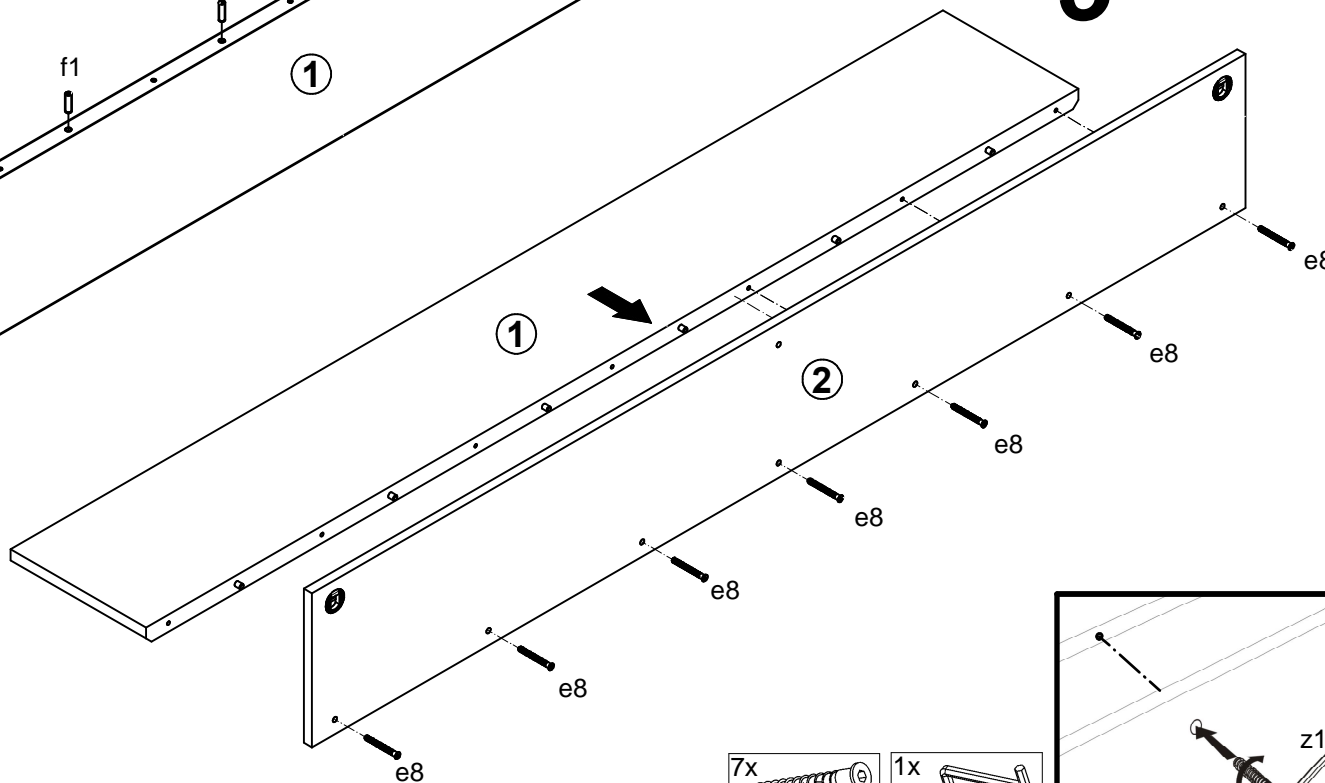
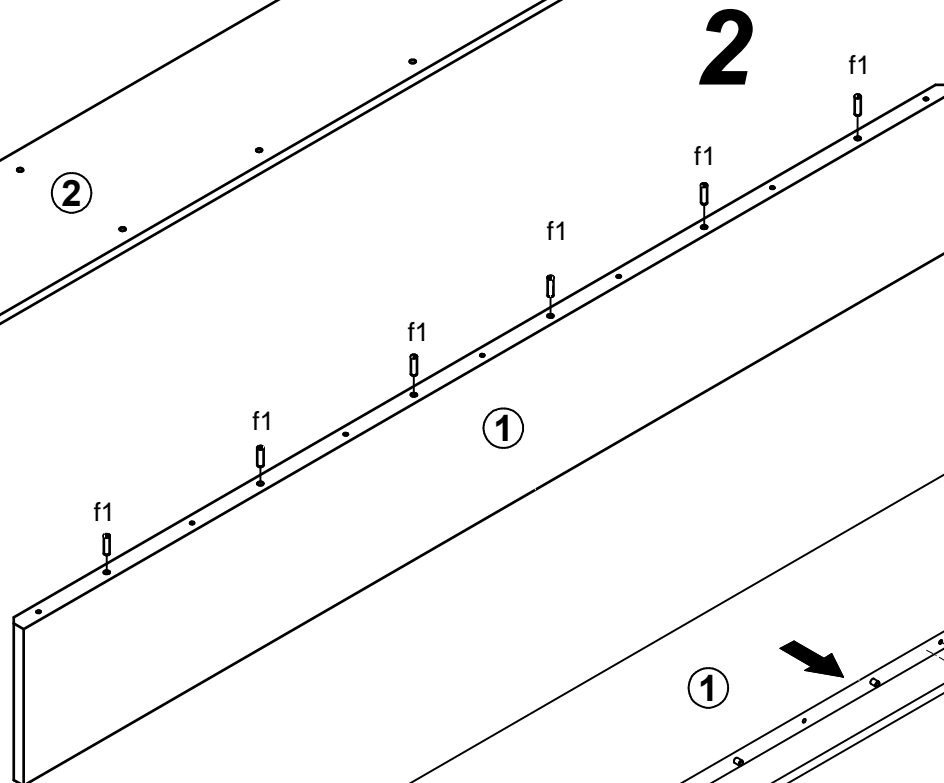
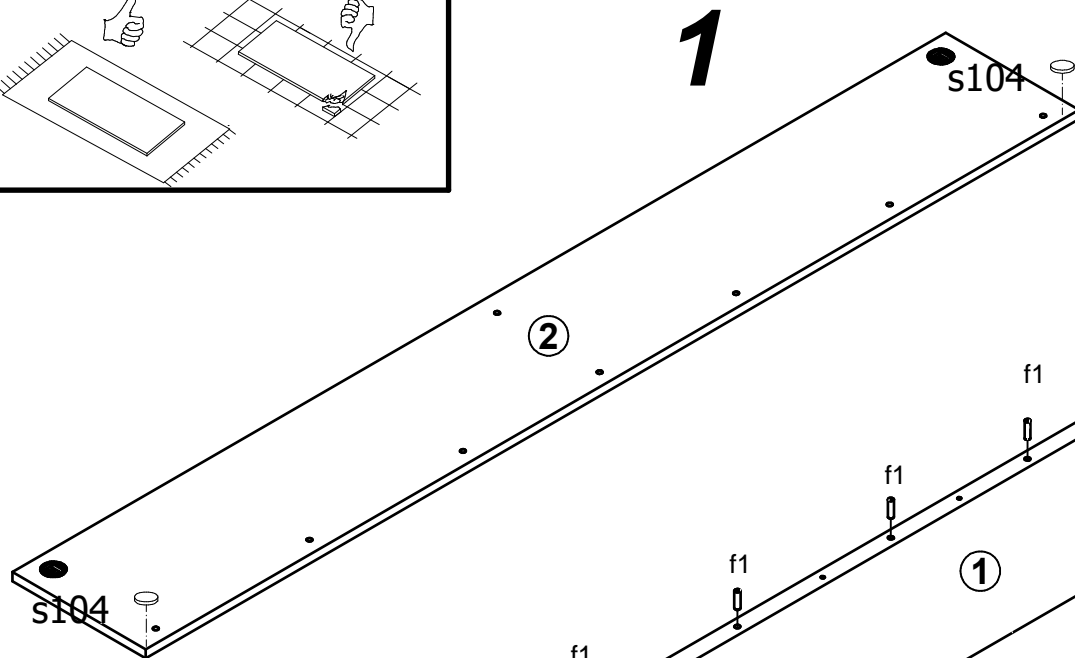
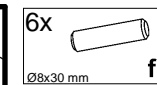
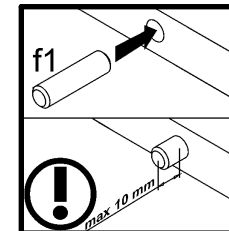
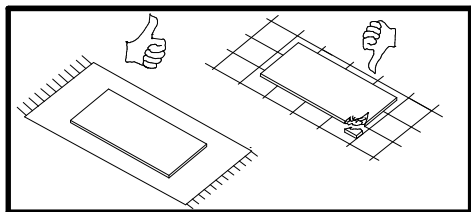


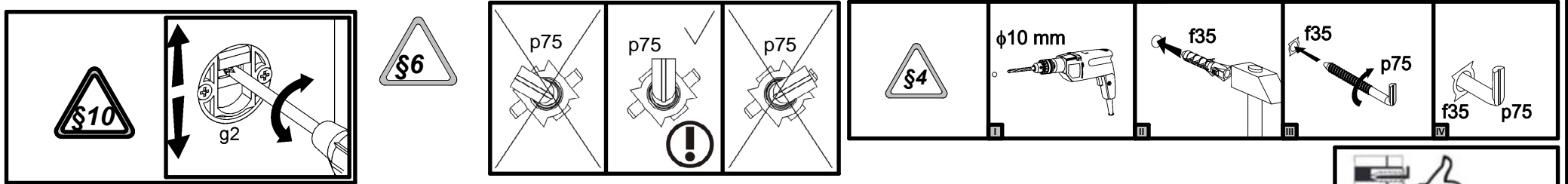
30min



A	B	C1	C2	C3	D
1	S515-3301	1748	254	28	1/1
2	S515-4301	1750	250	18	1/1







5

