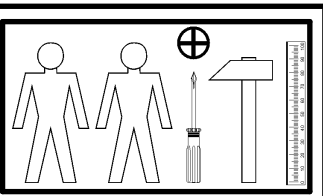
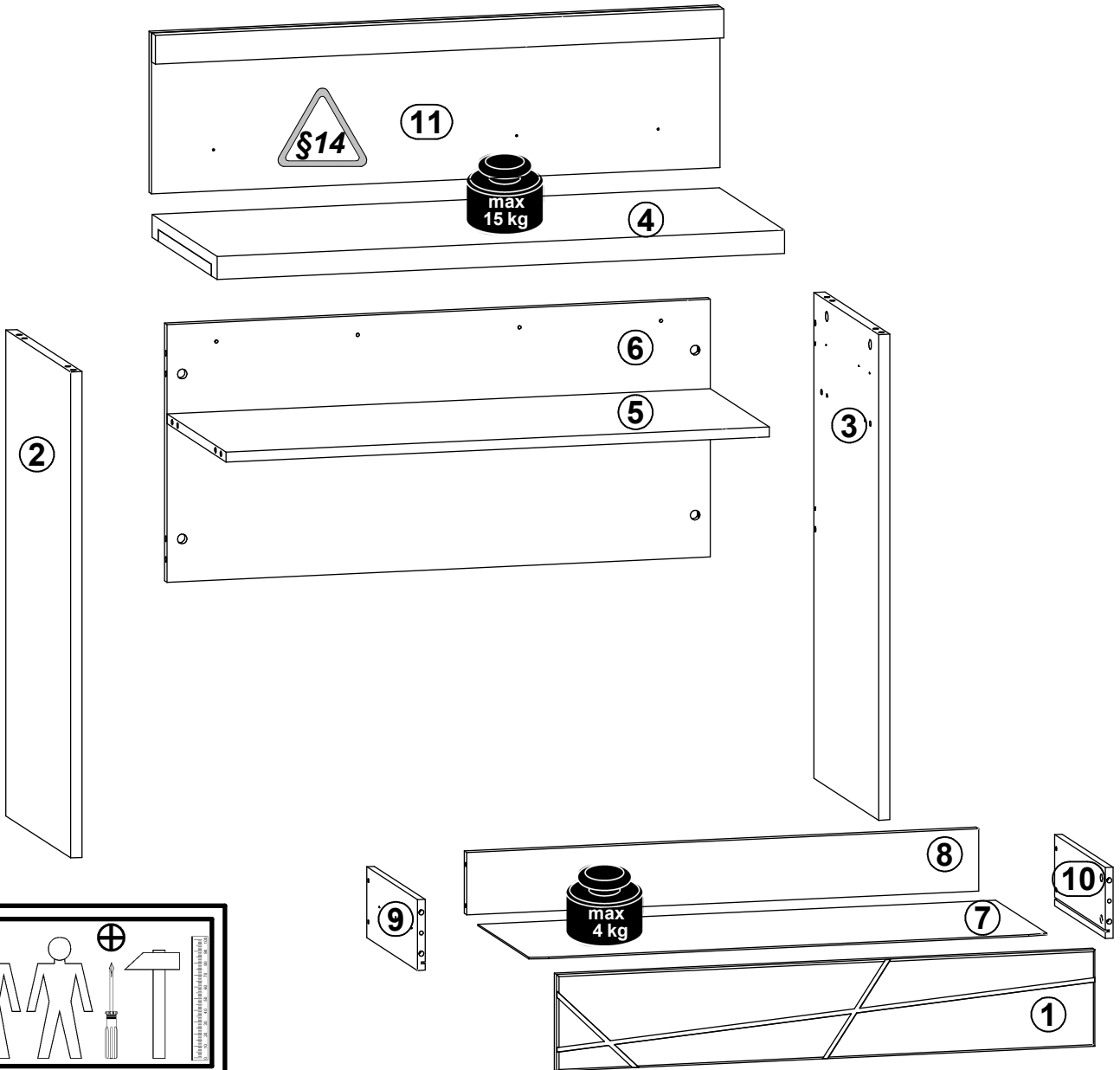


A	B	C	D	
1	S471-0034	852	150	1/1
2	S471-1026	754	383	1/1
3	S471-1027	754	383	1/1
4	S471-2021	898	385	1/1
5	S471-3017	860	349	1/1
6	S471-4024	860	400	1/1
7	S471-9016	820	307	1/1
8	ZK3-5161	810	97	1/1
9	ZK4-521	300	110	1/1
10	ZK4-522	300	110	1/1

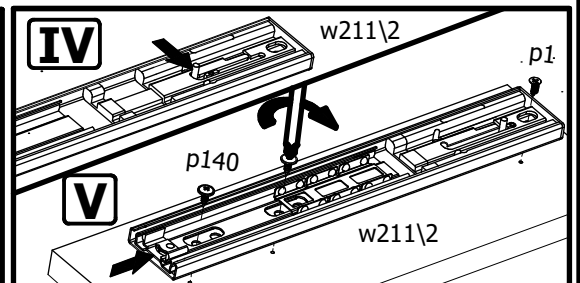
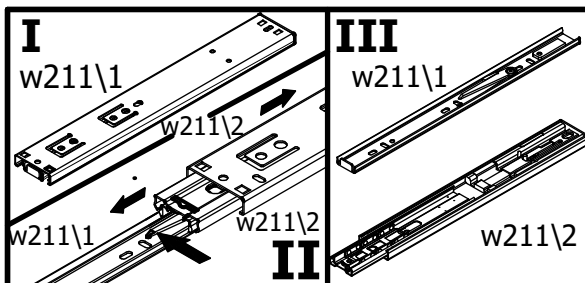
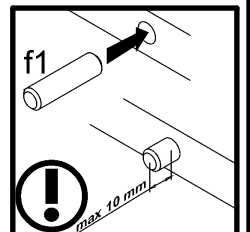
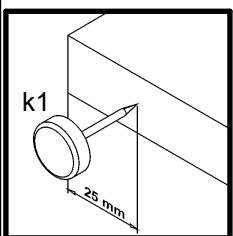
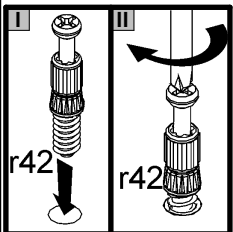
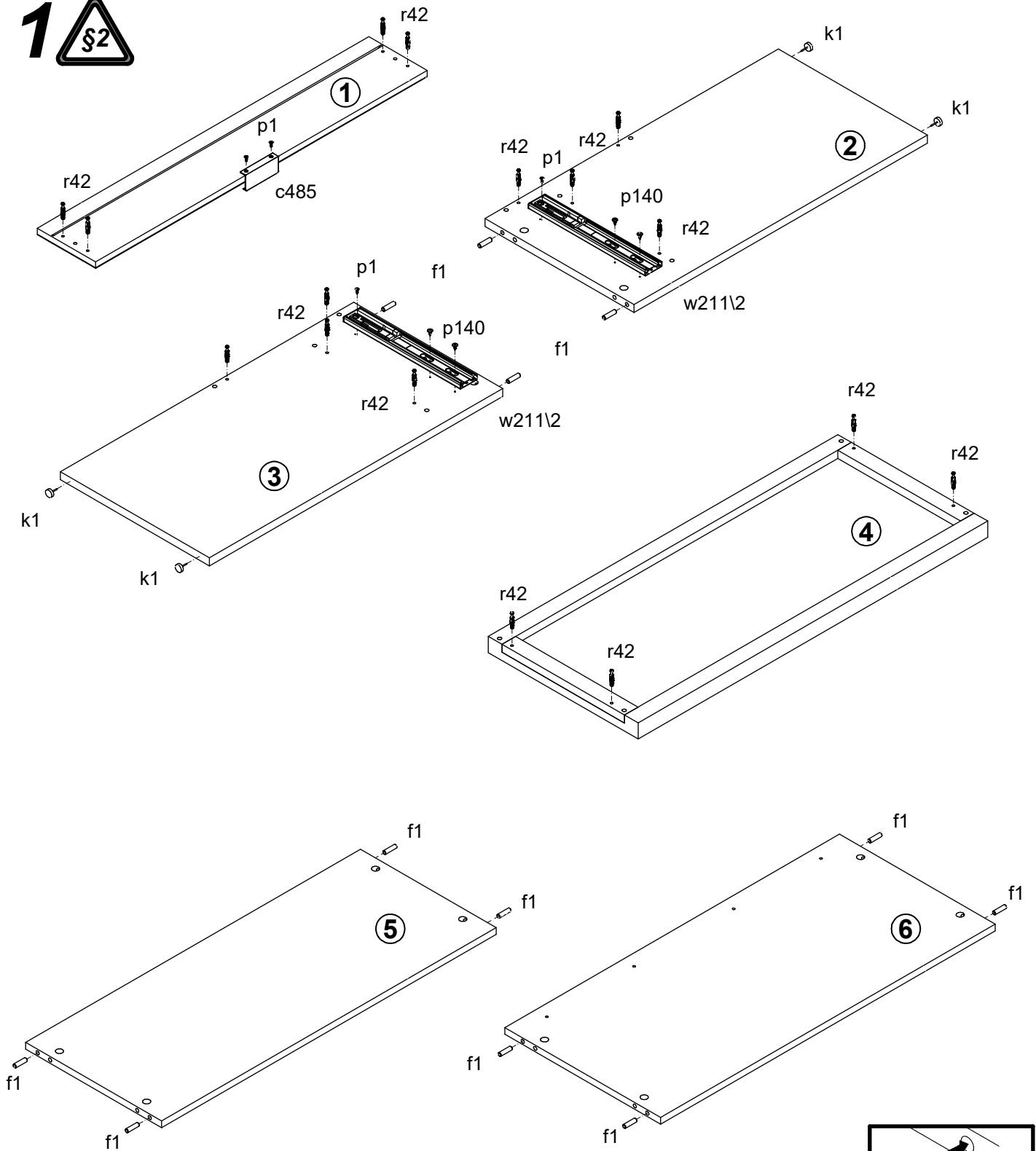
A	B	C	D	
11	S471-4025	900	250	1/1



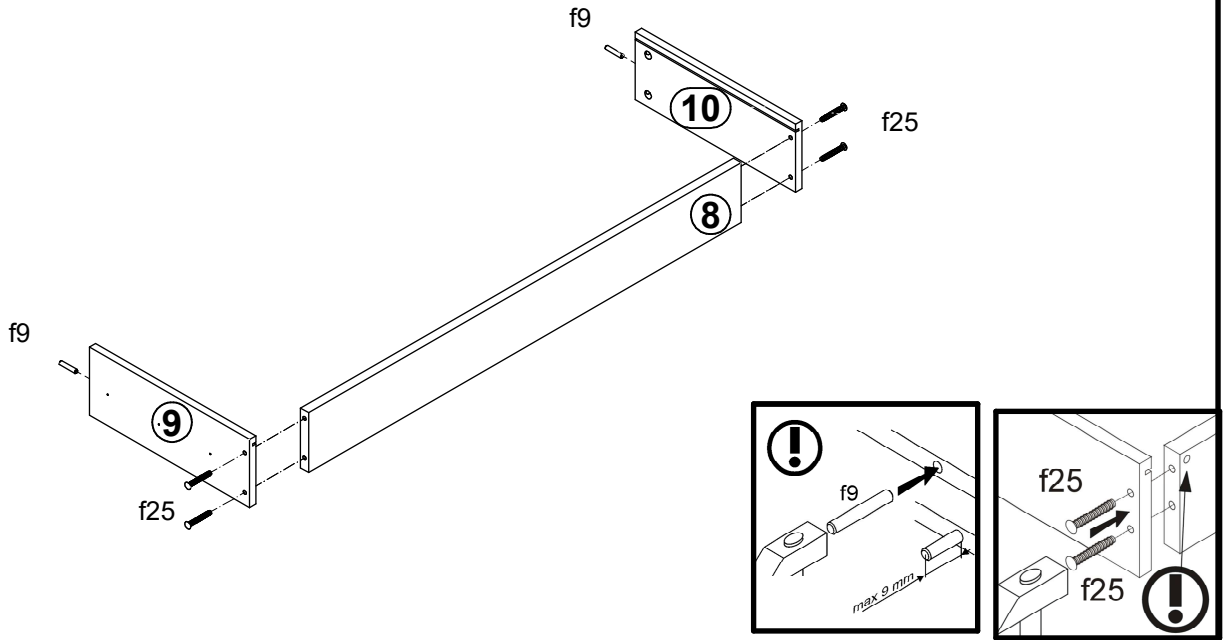
12x Ø8x30 mm f1	4x Ø6,5x40 mm f25	2x Ø6x30 mm f9	4x k1	4x Ø3,5x13 mm p1	1x Ø3,5x10 mm p35
1x Ø3,5x15 mm p51	6x Ø2,9x16 mm p55	10x Ø3,5x12 mm p140	12x Ø15x12 mm #16 r1	4x Ø12x10,5 mm #12 r15	16x 20/11 r42
1x 300 mm t25	2x L=300 mm w211\1	2x L=300 mm w211\2	2x Ø 20mm s68	1x n26	1x Ø3,5x16 mm p38
1x 64 mm c485					

1x 2m 1P 6W Ø70\9	
3x Ø77\16	
1x 10x10 mm L=835 mm Ø77\18	1x 10x18 mm Ø83\4
3x Ø2,5x13 mm p15	4x Ø4x28 mm p94

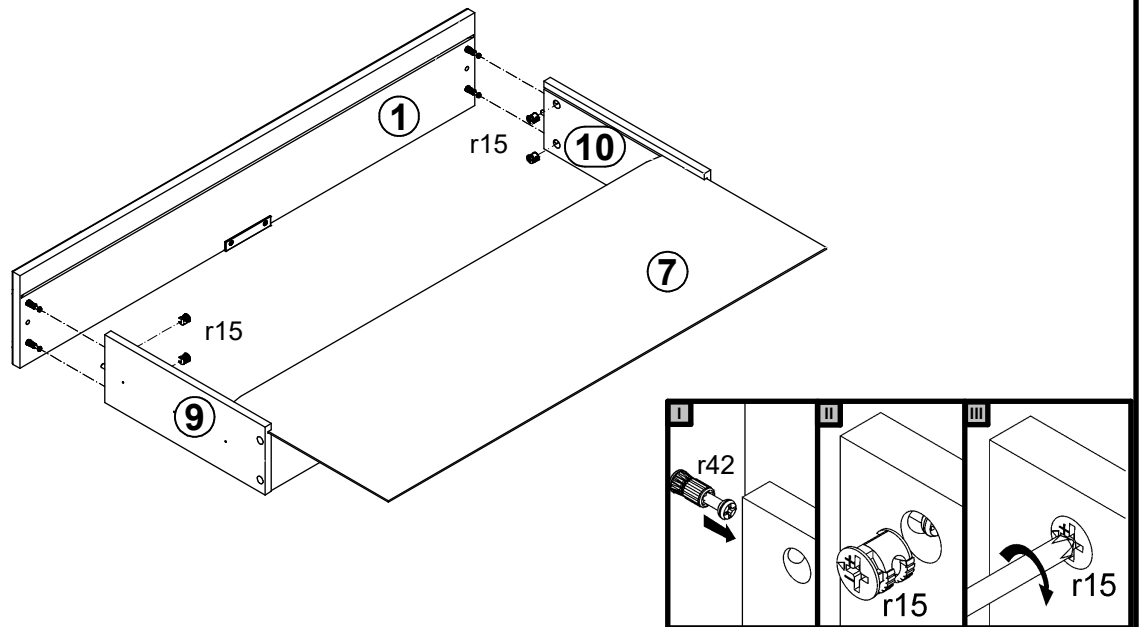
1 



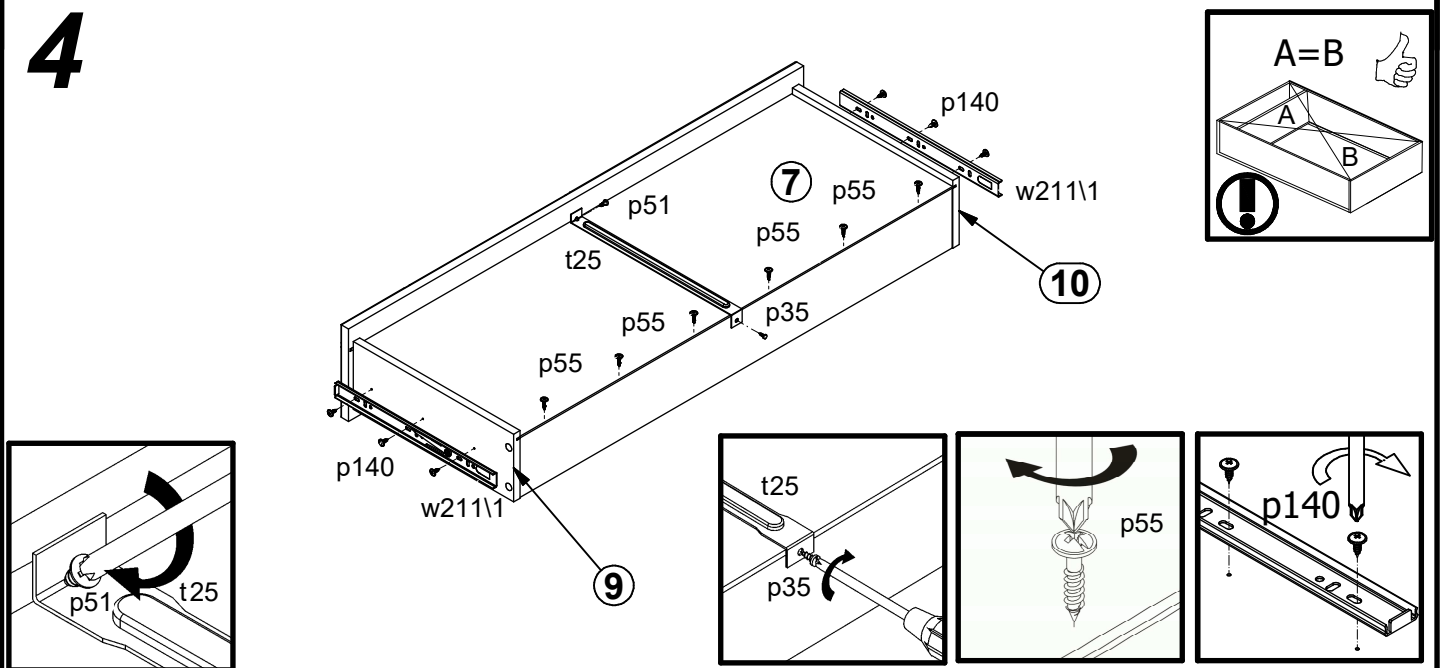
2



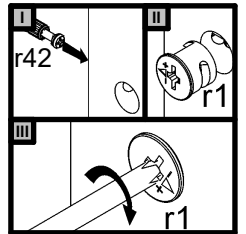
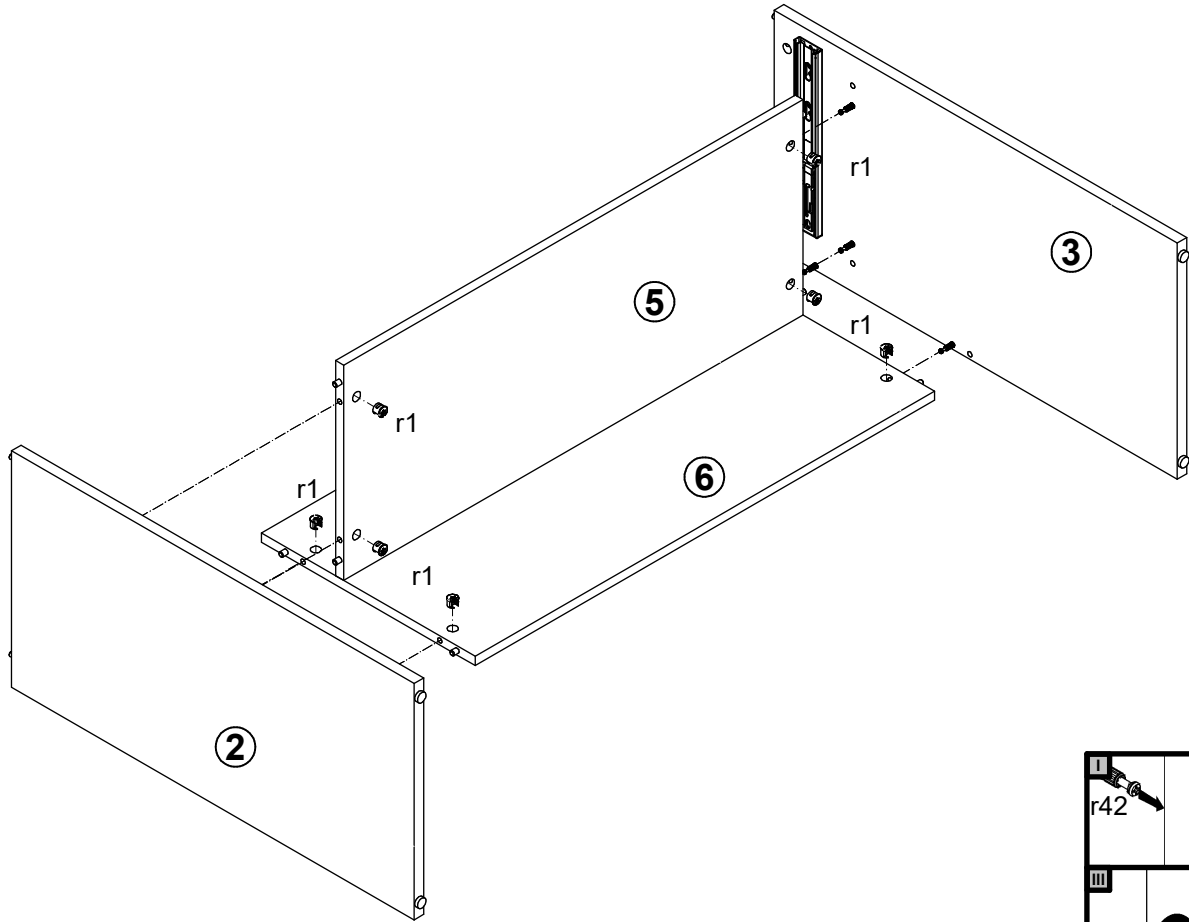
3



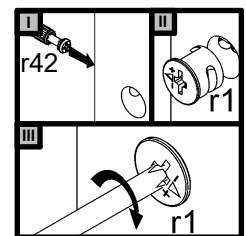
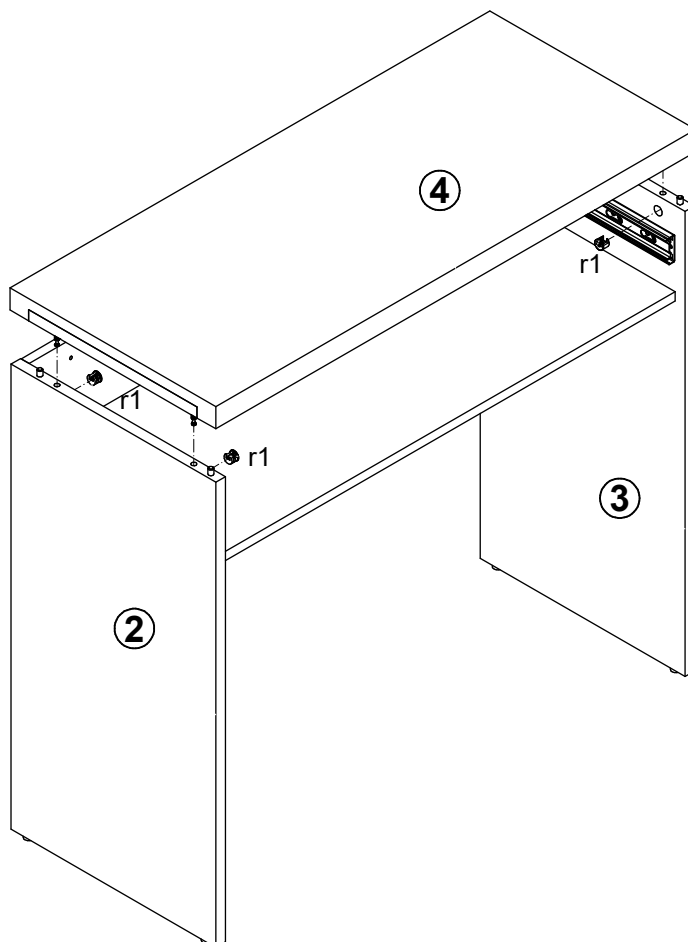
4



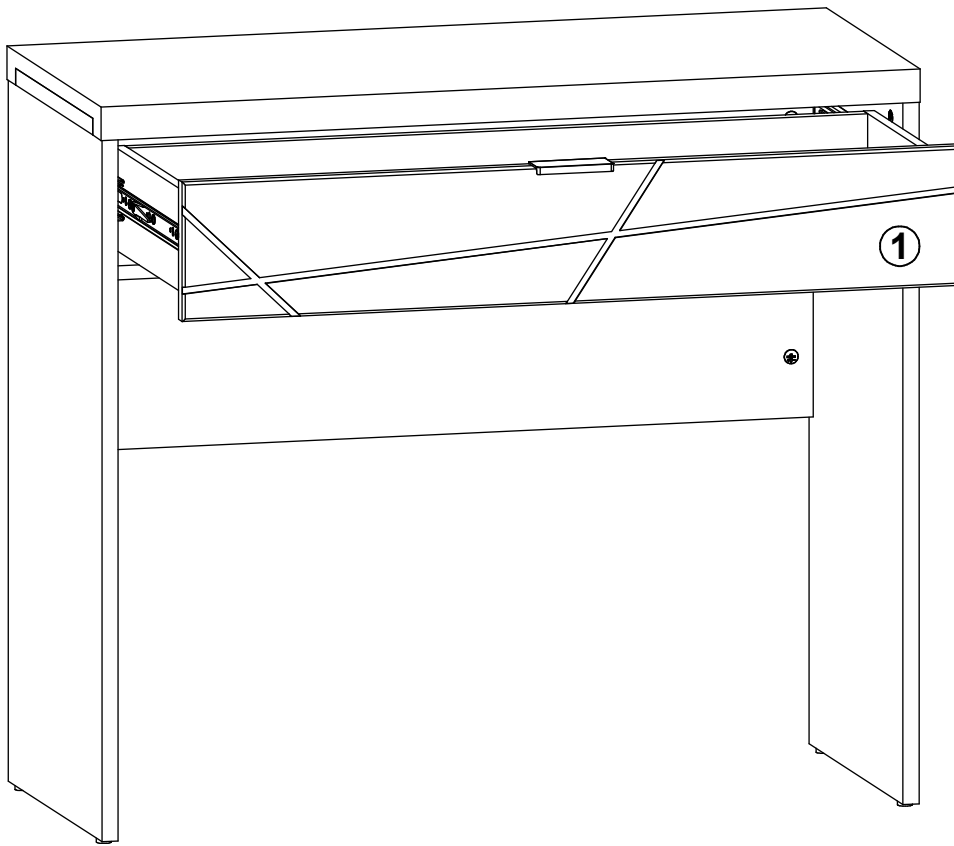
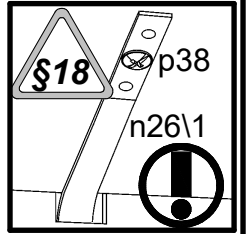
5



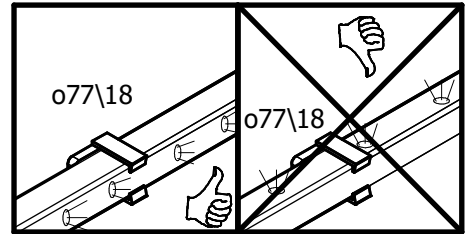
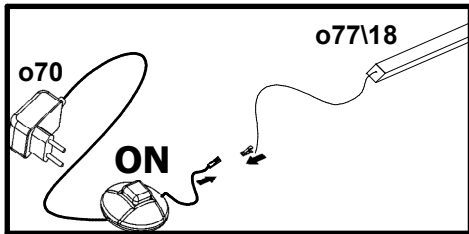
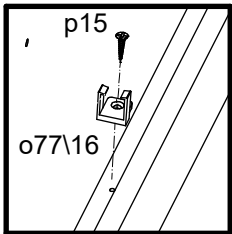
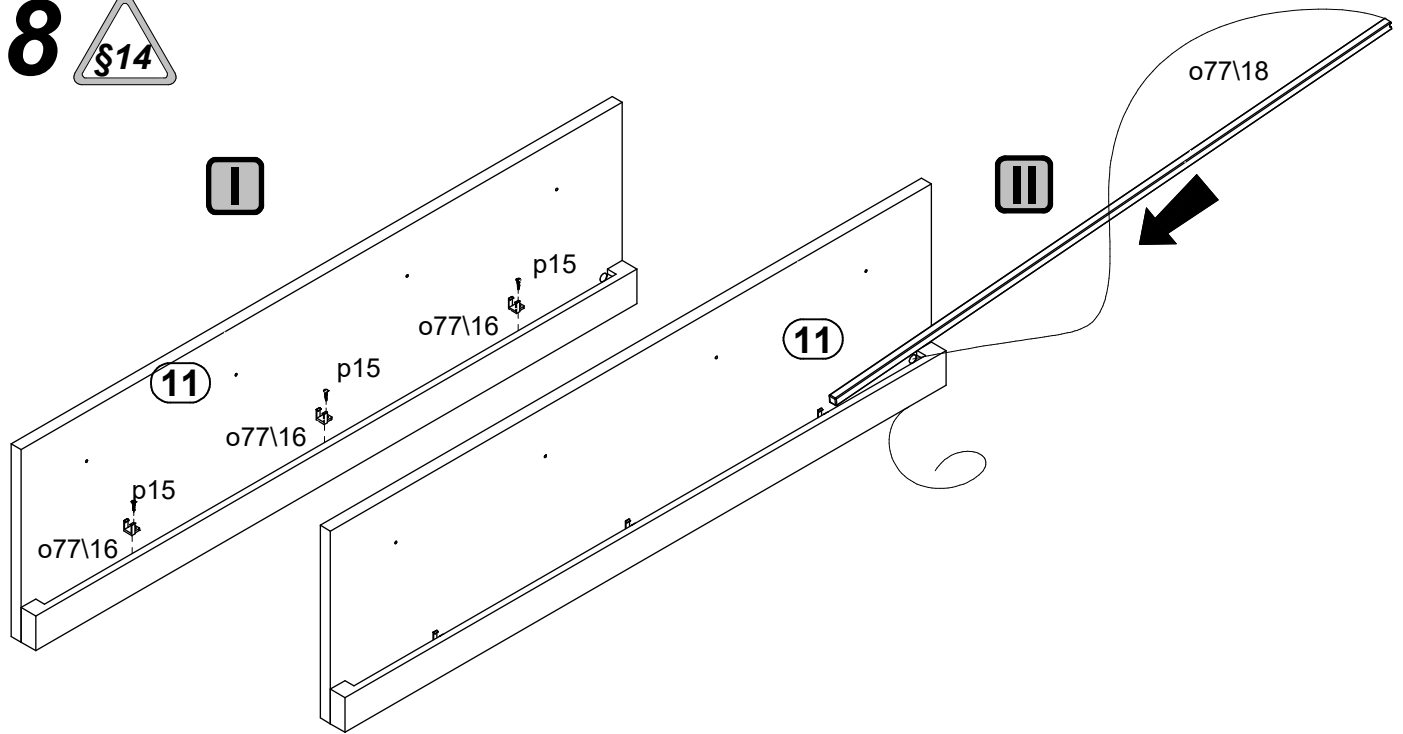
6



7



8



9

