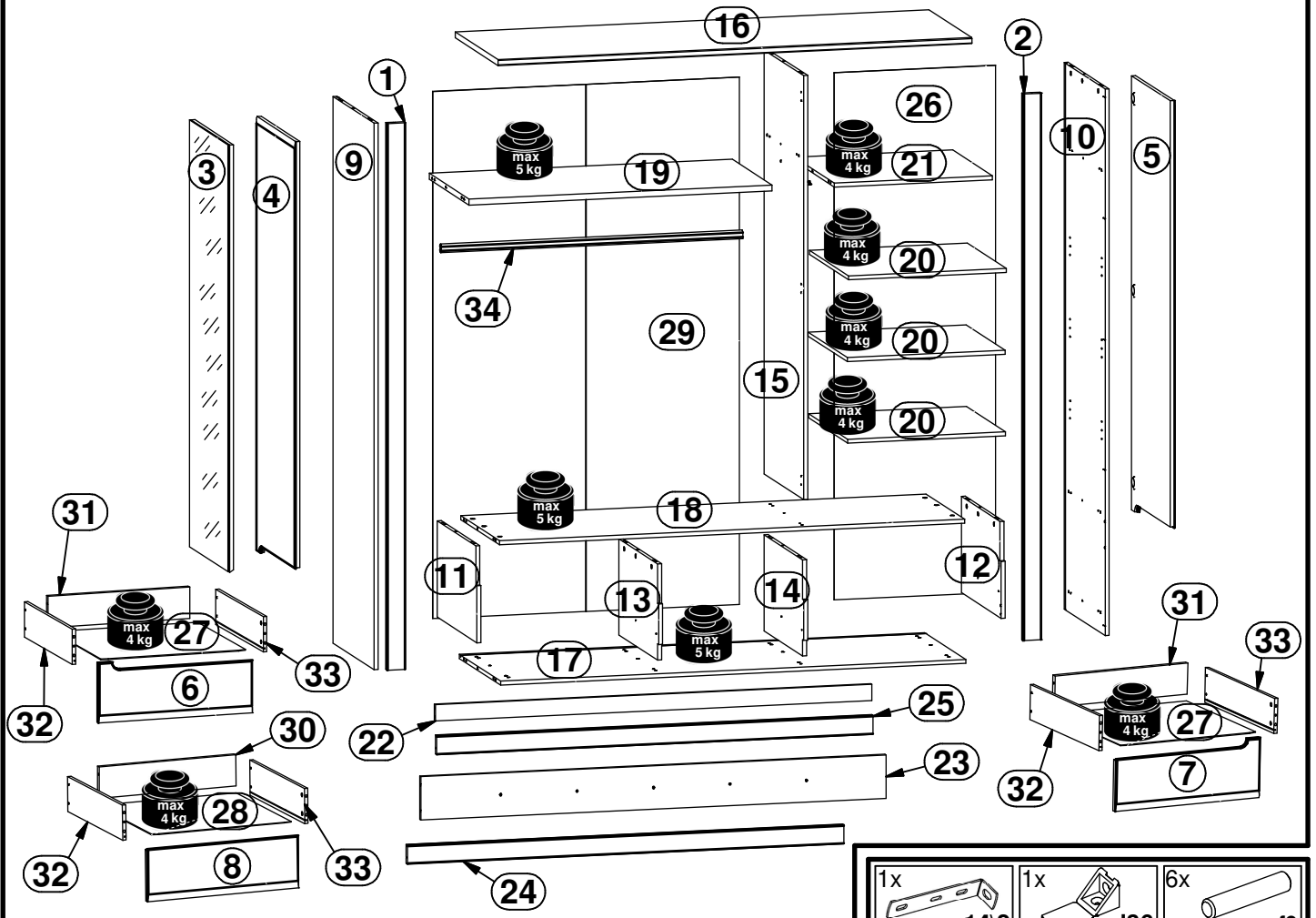
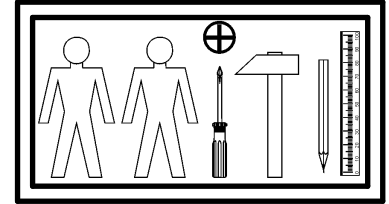
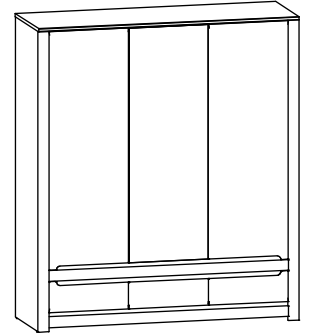


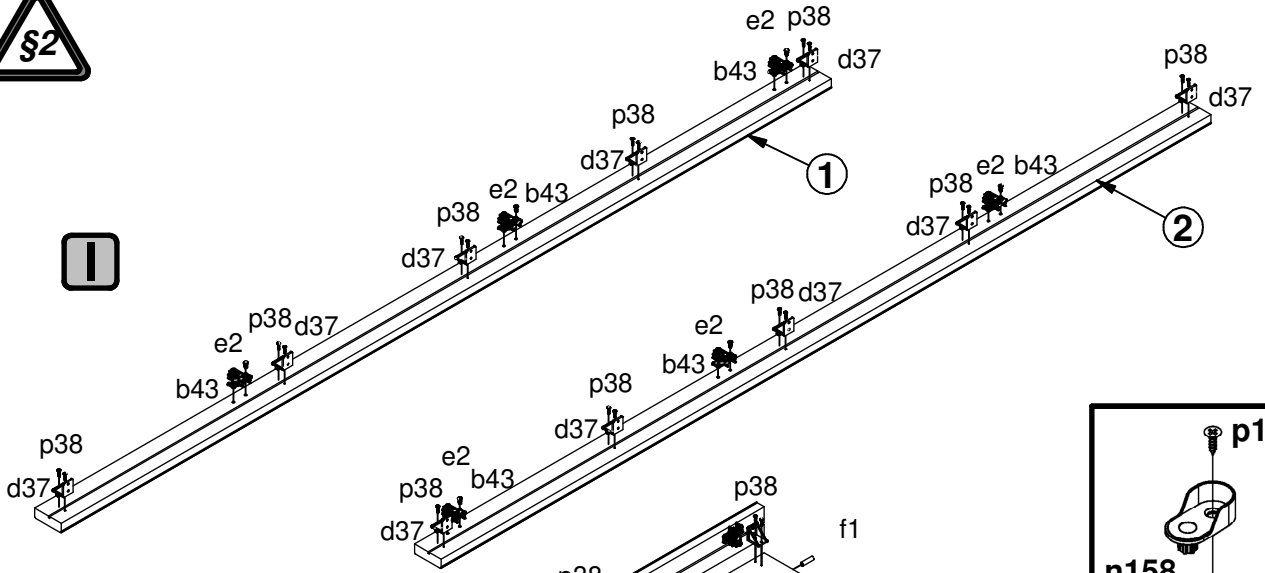
A	B	C	D	A	B	C	D		
1	S404-5024/A	2018	70	1/6	18	S407-3004	1753	543	6/6
2	S404-5025/A	2018	70	1/6	19	S407-3005	1142,5	558	3/6
3	S407-0023	1578	544	6/6	20	S407-3006	594,5	550	4/6
4	S407-0024	1603	544	5/6	21	S407-3007	595,5	558	3/6
5	S407-0025	1603	544	5/6	22	S407-4005	1645	60	2/6
6	S407-0026	544	205	5/6	23	S407-4006	1753	160	2/6
7	S407-0027	544	205	5/6	24	S407-5008	1644	70	2/6
8	S407-0028	544	180	5/6	25	S407-5009	1644	70	2/6
9	S407-1007	2018	578	1/6	26	S407-9004	1946	608	1/6
10	S407-1008	2018	578	1/6	27	S407-9005	511	505	4/6
11	S407-1009	355	558	3/6	28	S407-9006	502	505	4/6
12	S407-1010	355	558	3/6	29	S407-9301	1946	1155	1/6
13	S407-1011	355	558	3/6	30	ZQ2-1575	492	107	4/6
14	S407-1012	355	558	3/6	31	ZQ2-1576	501	107	4/6
15	S407-1013	1566	558	3/6	32	ZQ3-529	500	120	4/6
16	S407-2002	1785	604	2/6	33	ZQ3-530	500	120	4/6
17	S407-3003	1753	578	2/6	34	dr-1136	1136	30	1/6



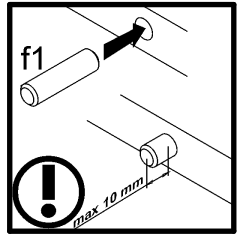
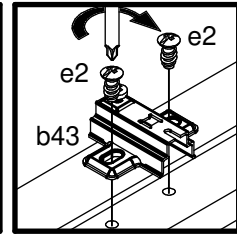
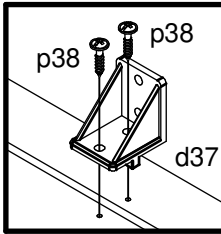
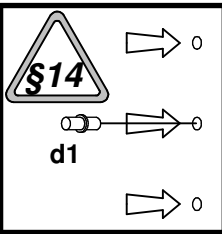
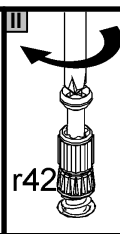
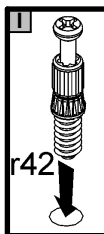
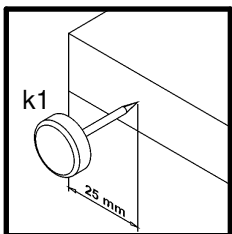
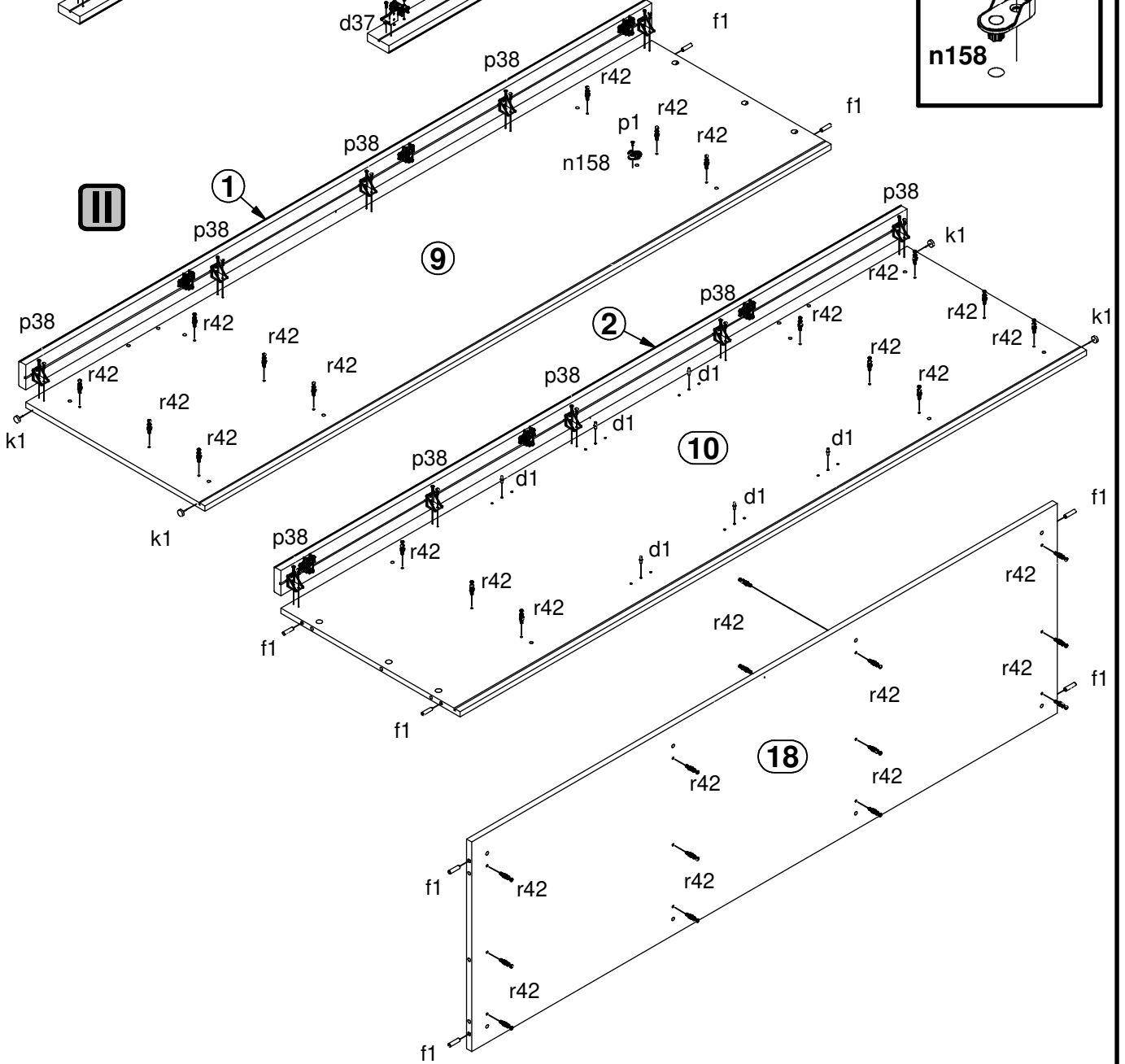
6x  a132	3x  a133	3x  a159	6x  b43	3x  b78	12x  d1	13x  d37	12x  e1	20x  e2
12x  e3	3x  e45	46x  f1	2x  f13	12x  f25	62x  r42	4x  k1	2x  k38/3	2x  k38/8
18x  i2	10x  n108	2x  n158	2x  p1	3x  p25	3x  p35	76x  p38	18x  p51	34x  p55
50x  r1	12x  r15	3x  t34	3x  w186/L	3x  w186/P	1x  z1	33x  s68	1x  f35	1x  p17

1 

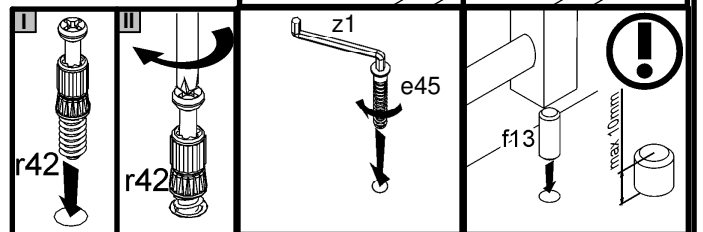
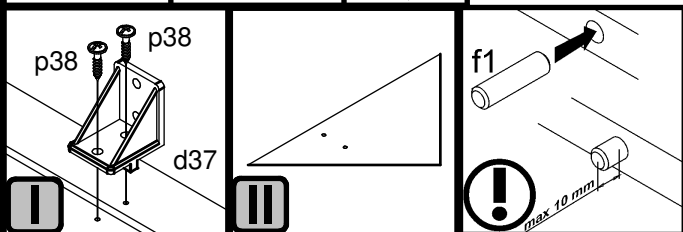
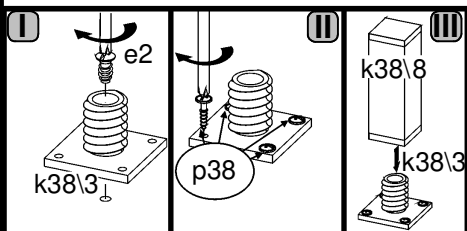
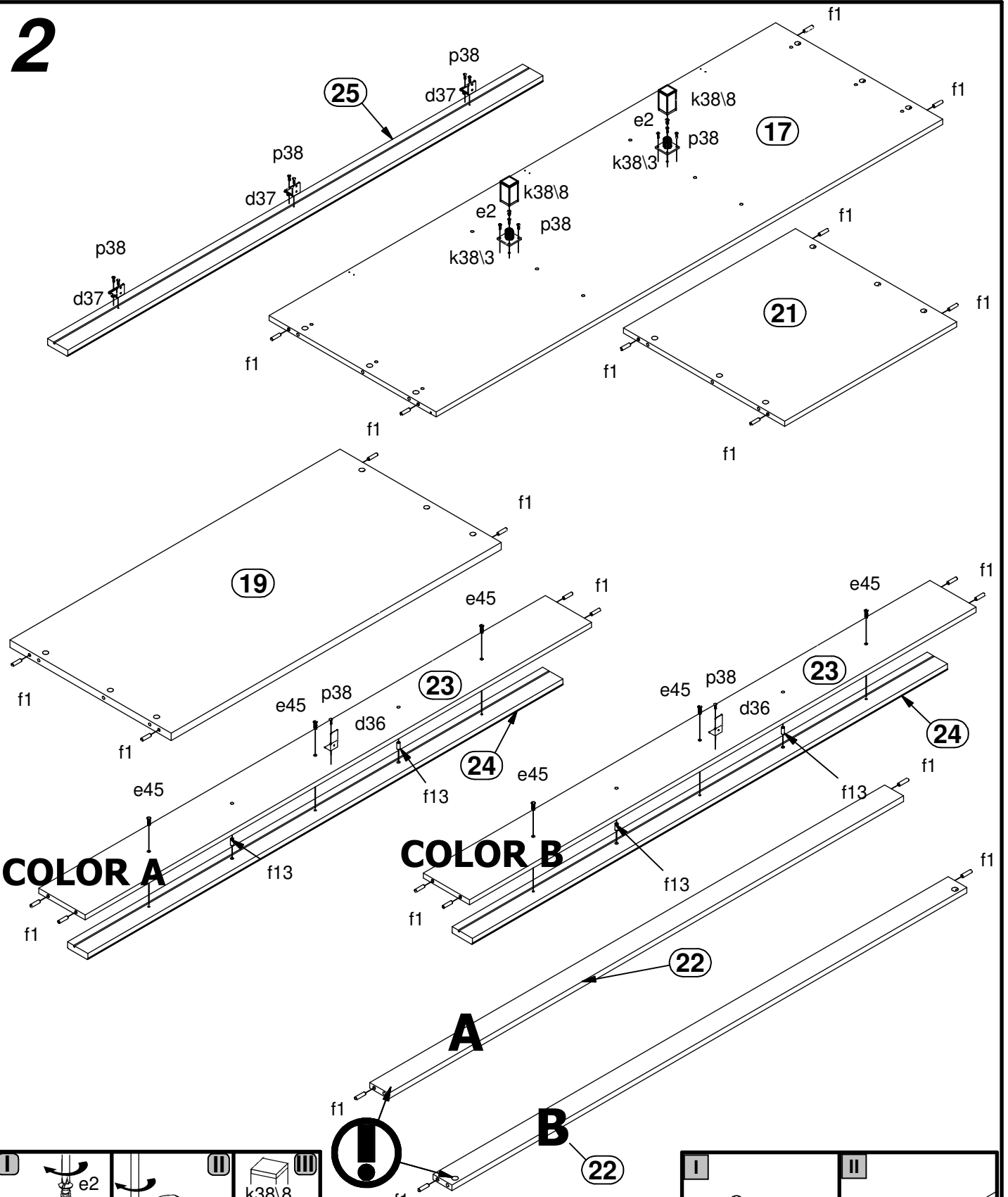
I



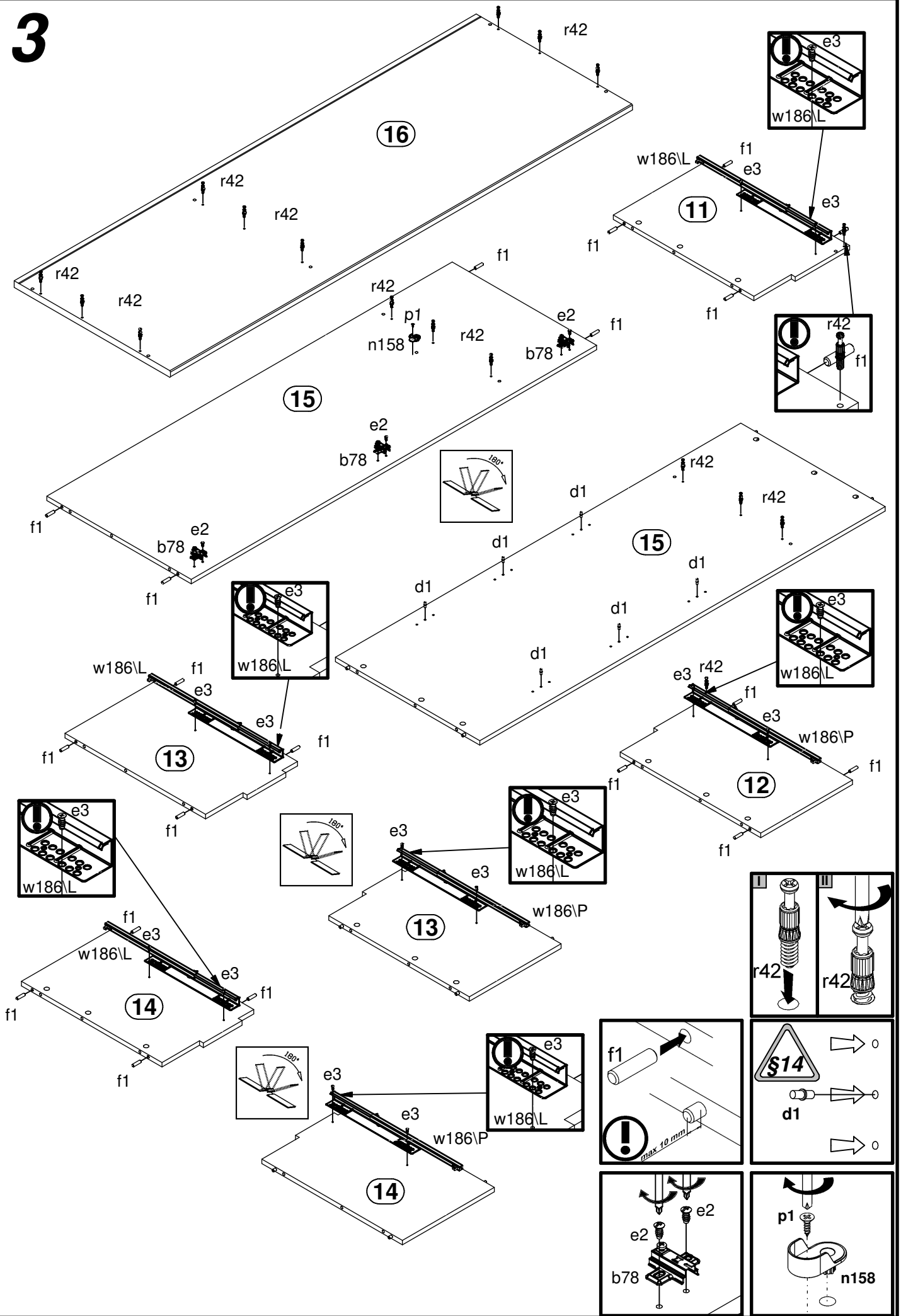
III



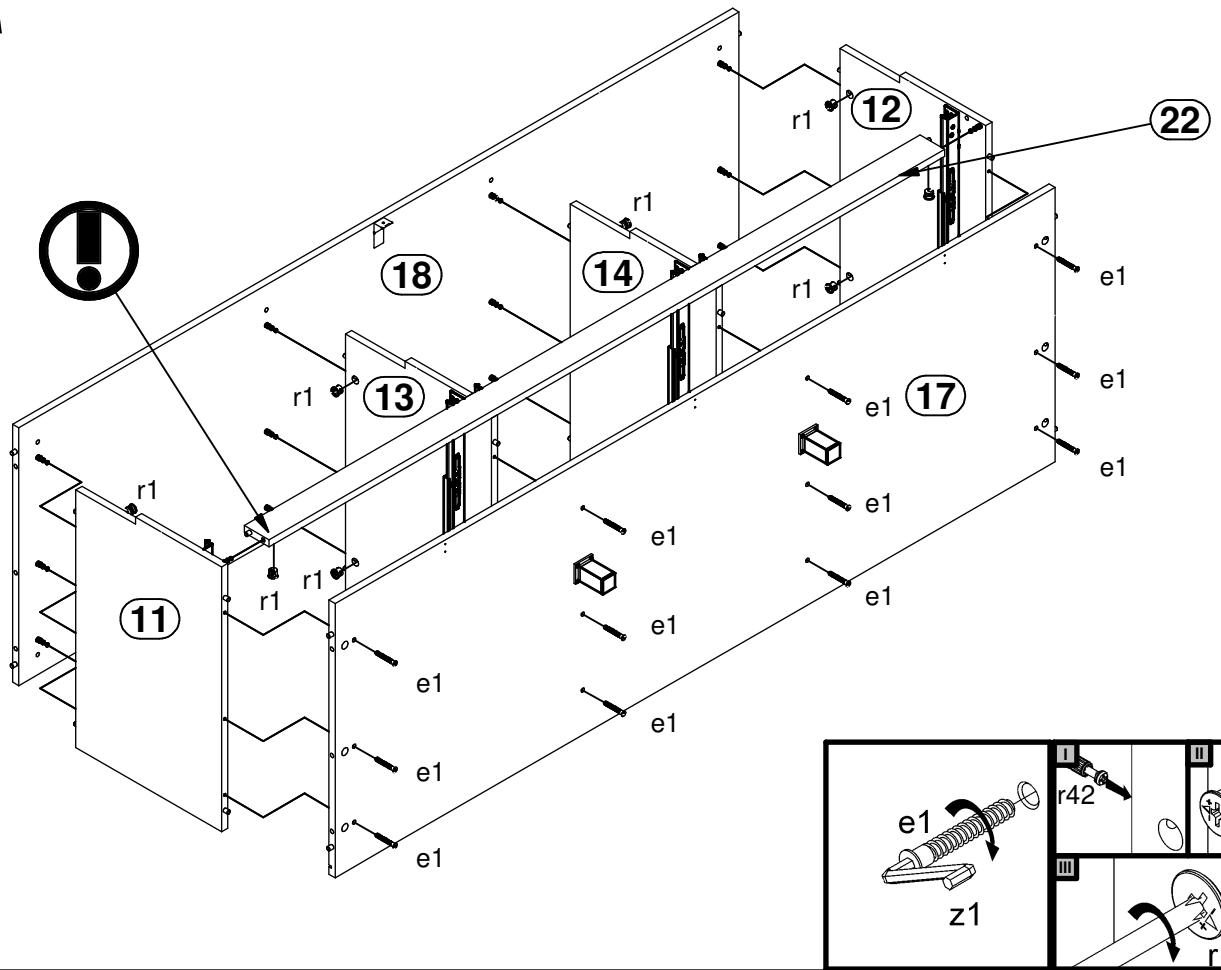
# 2



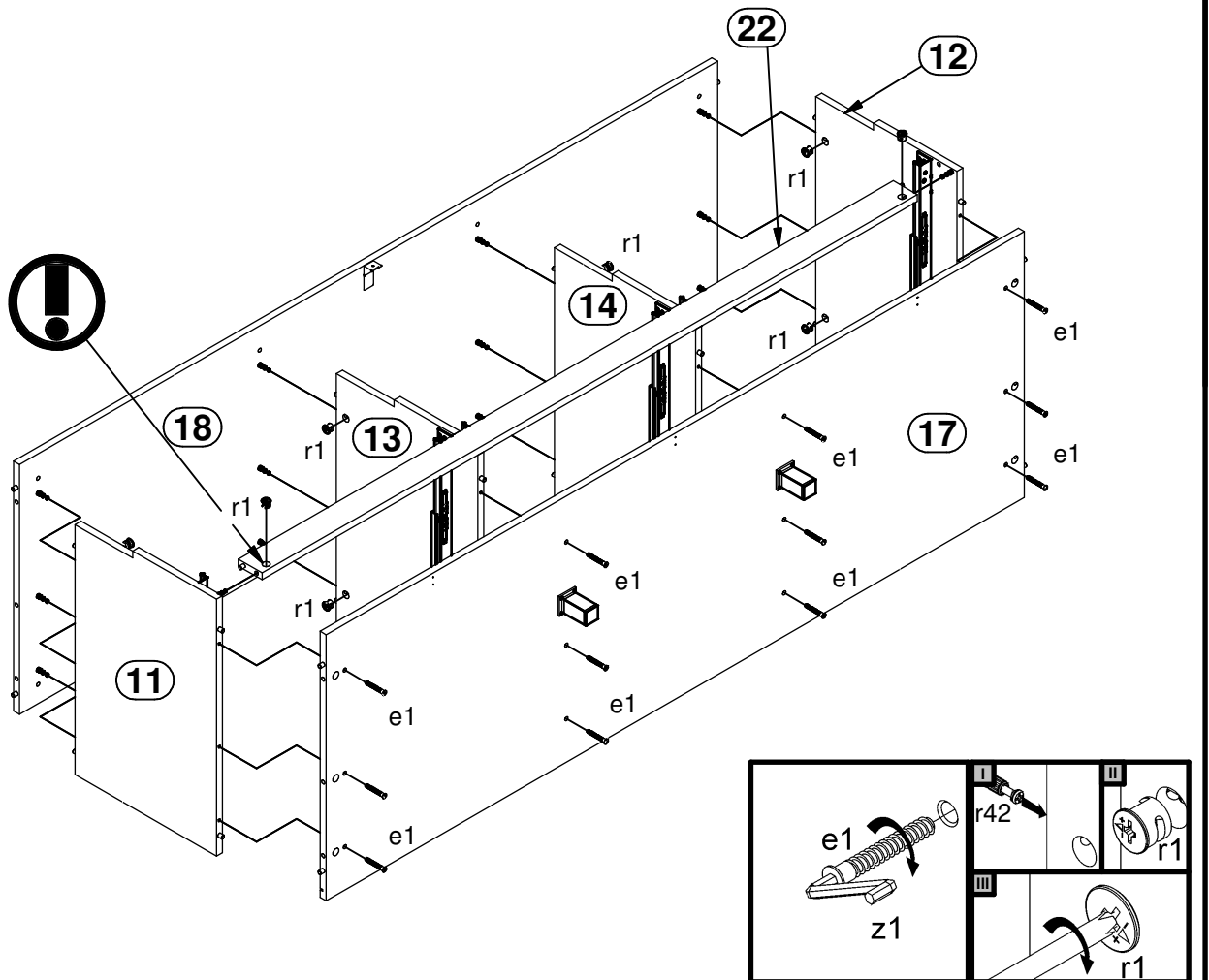
# 3



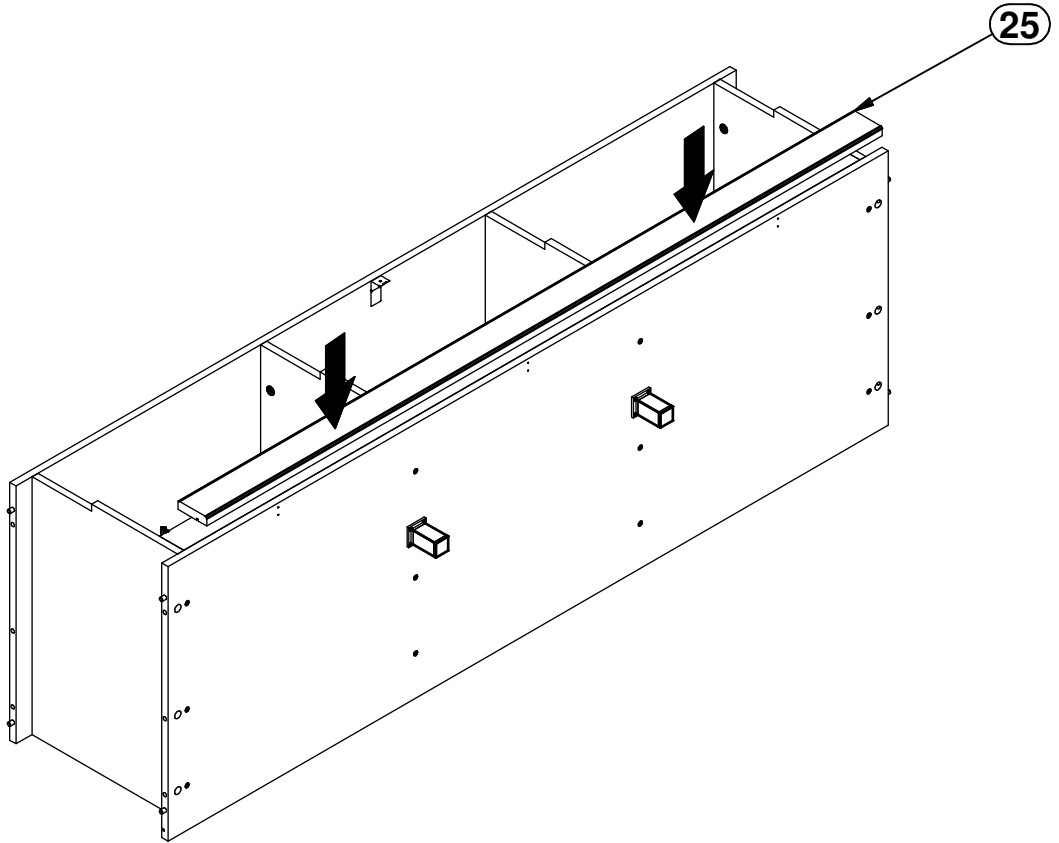
# 4A



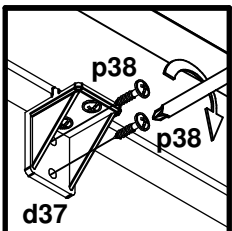
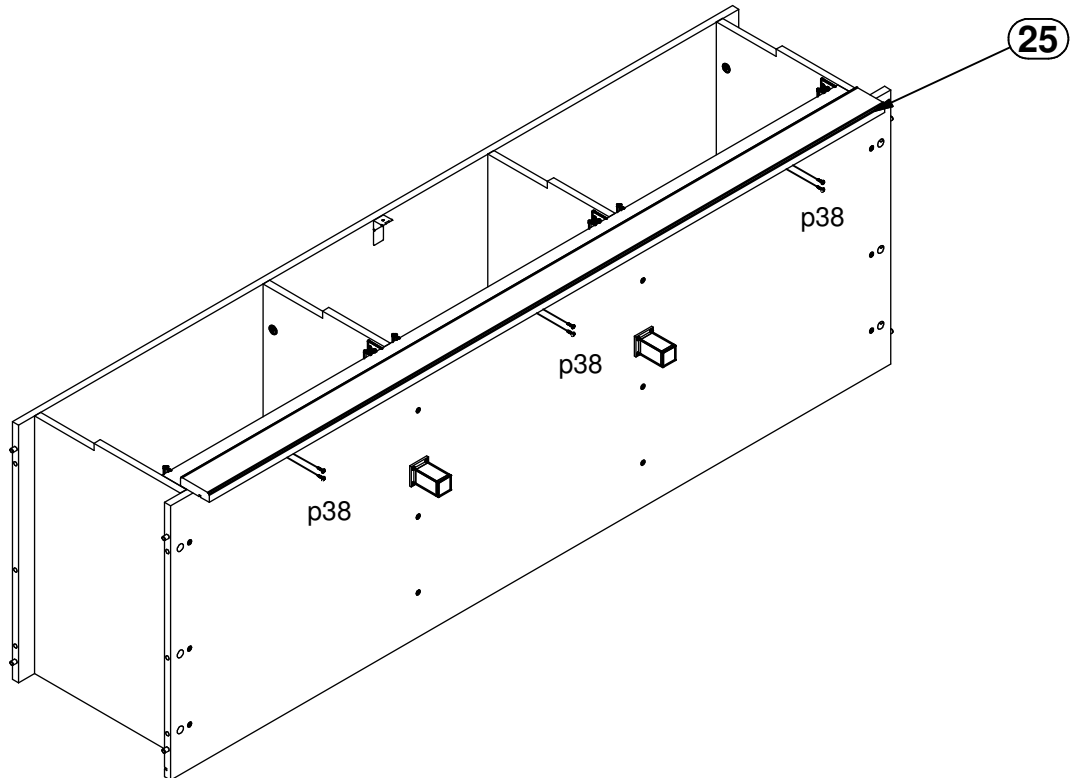
# 4B



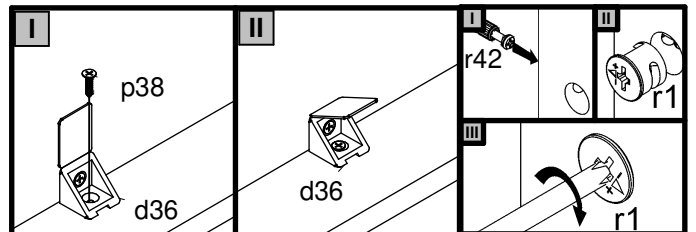
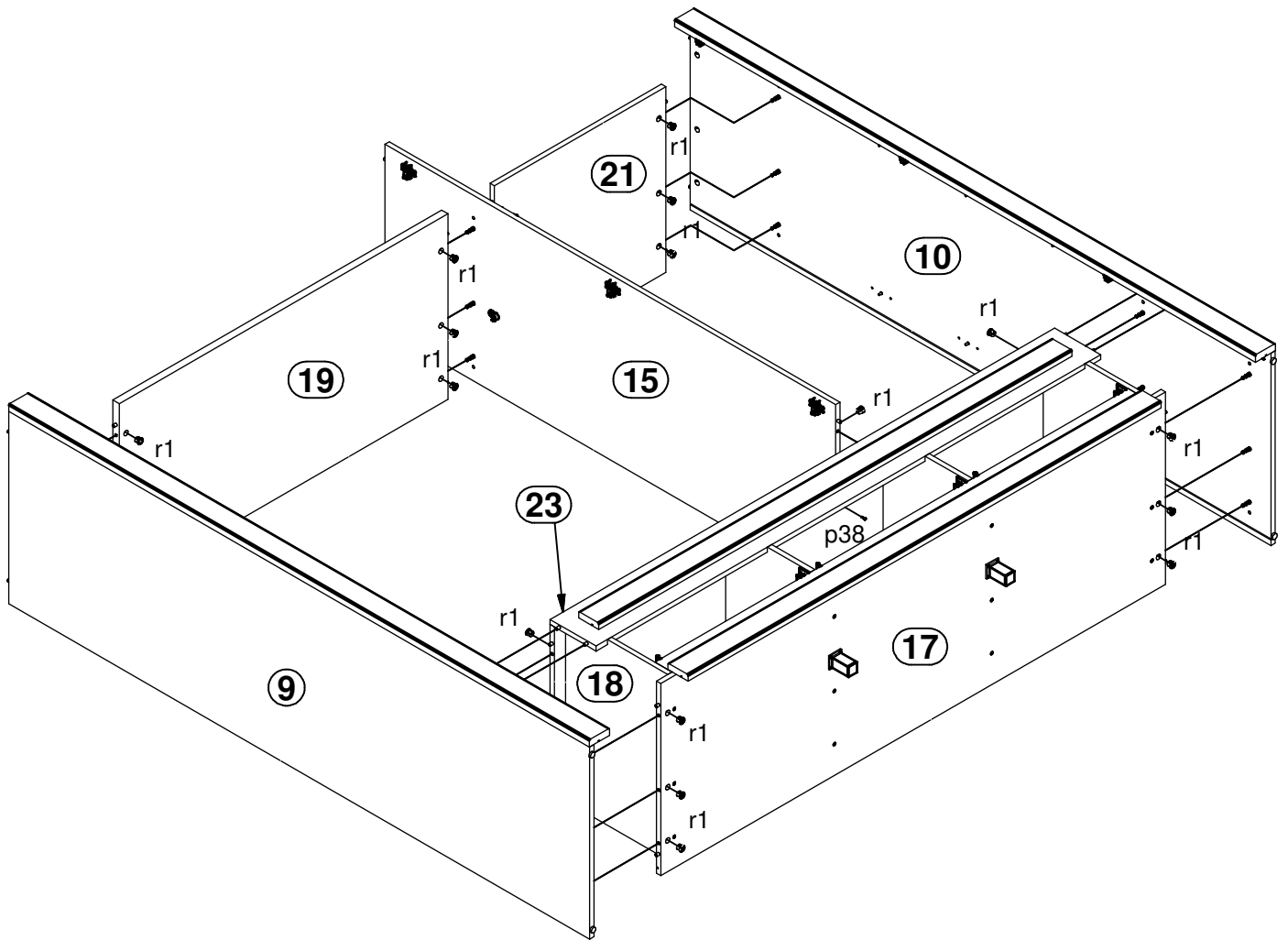
# 5



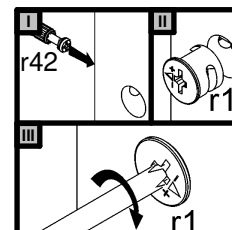
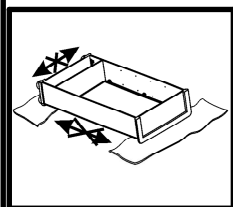
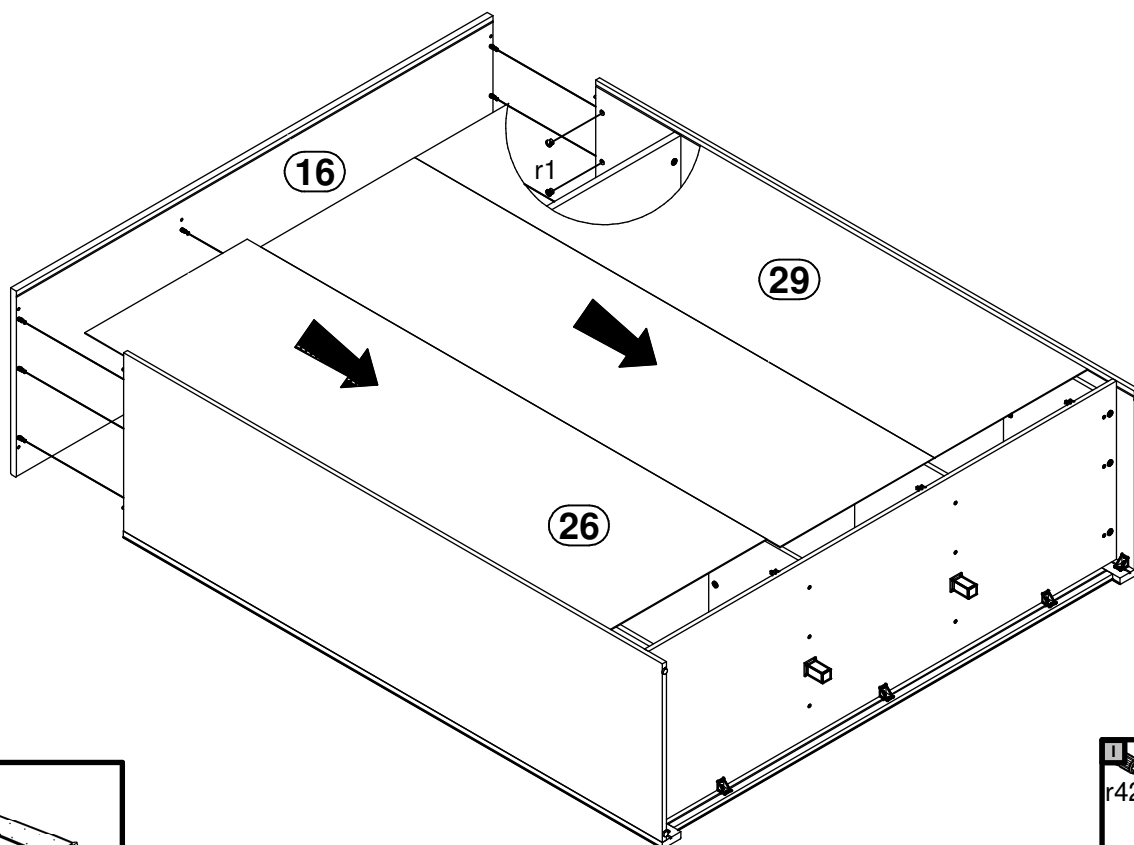
# 6



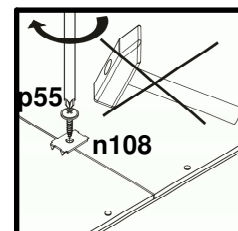
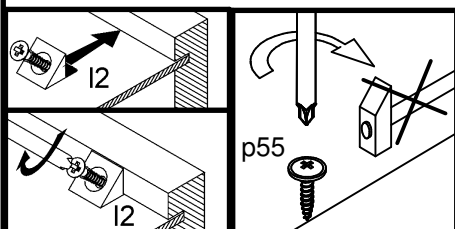
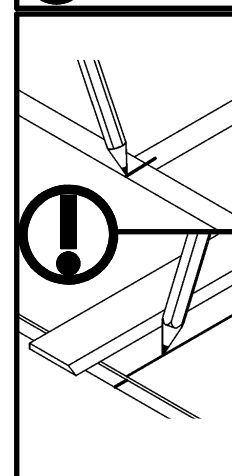
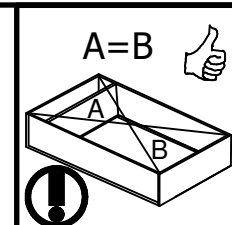
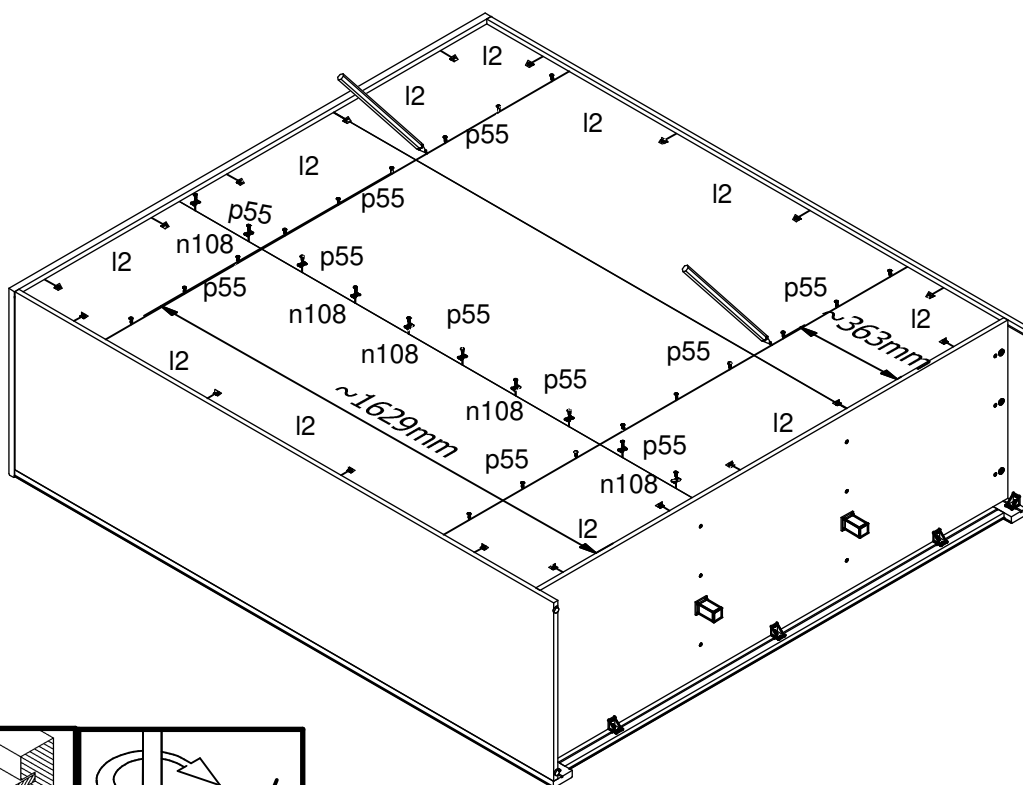
# 7



# 8

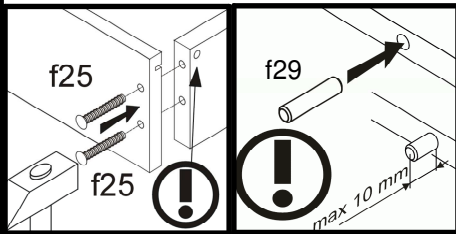
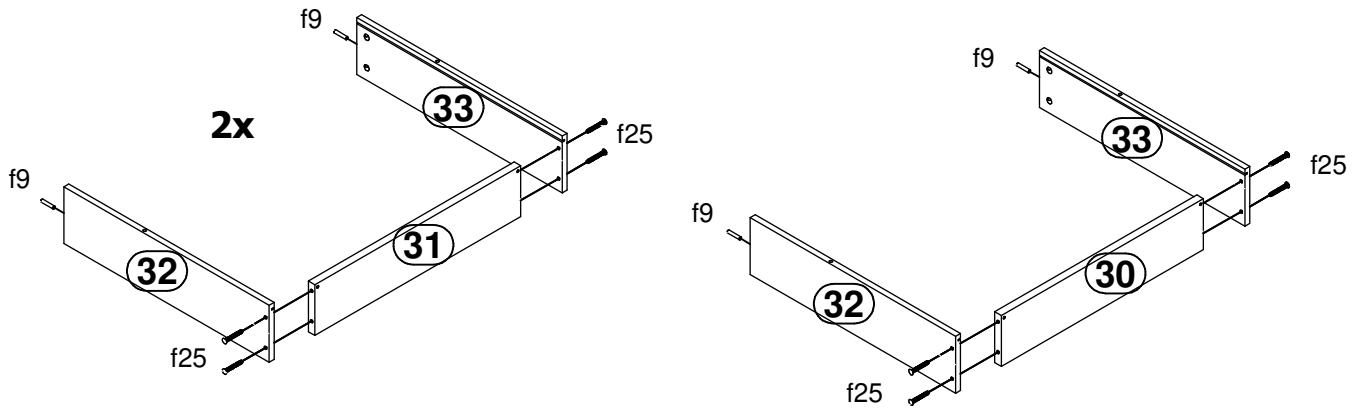


# 9

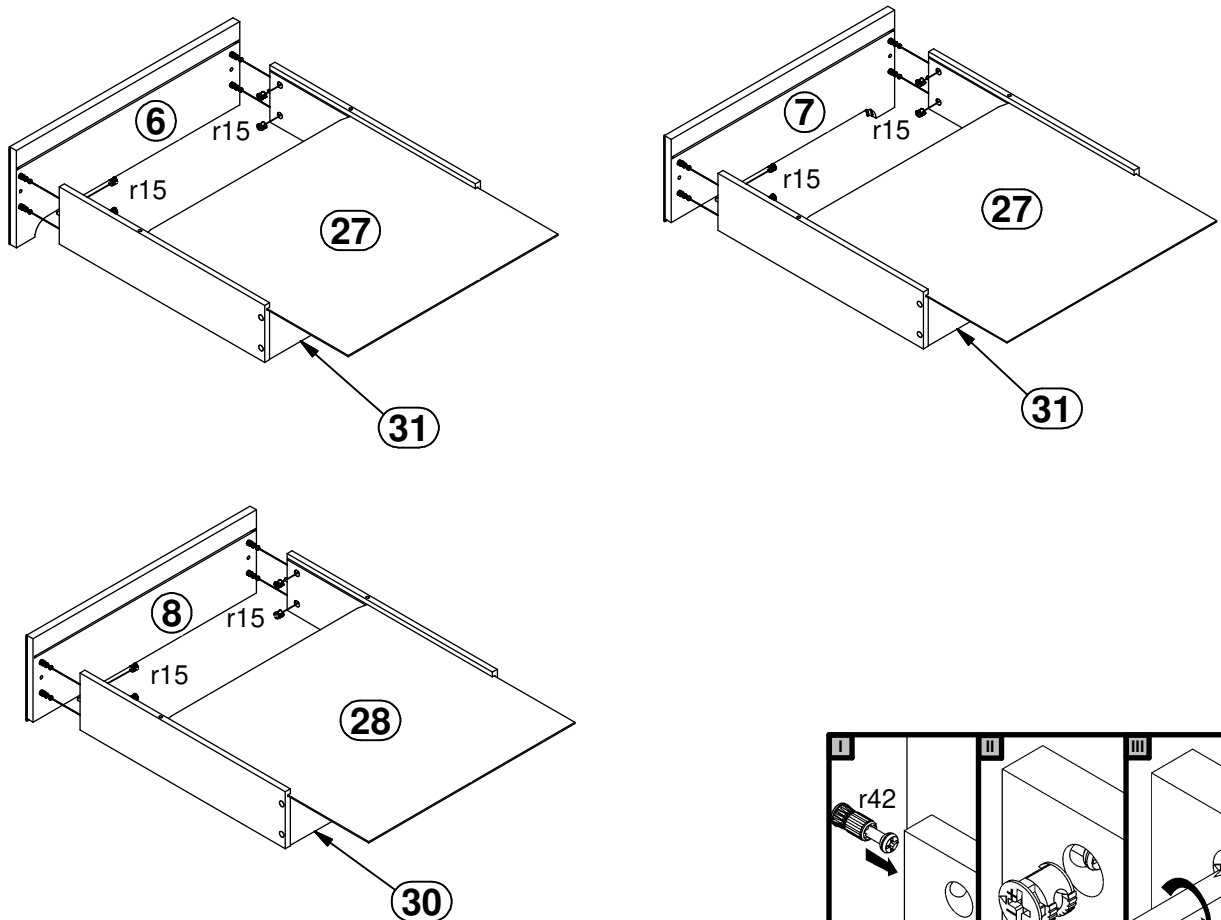




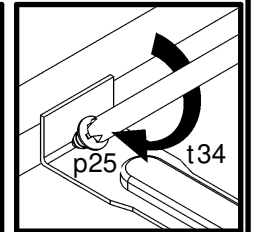
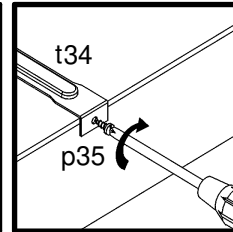
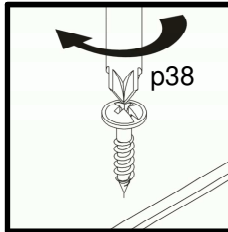
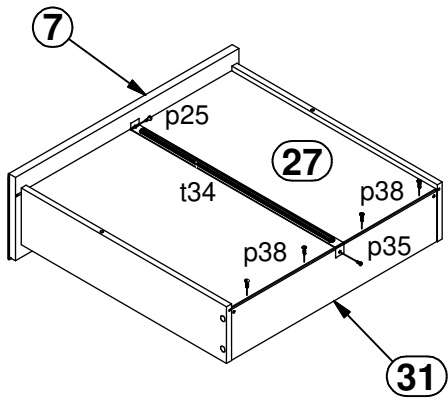
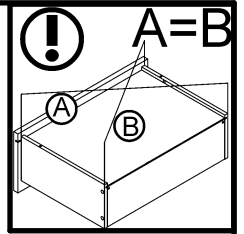
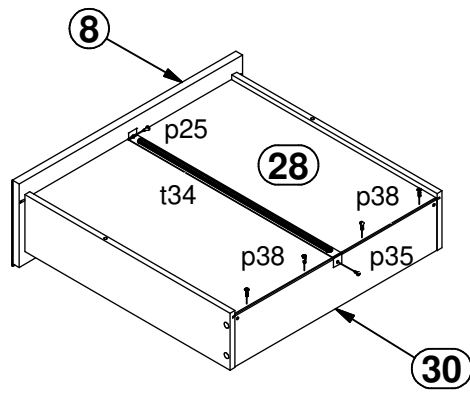
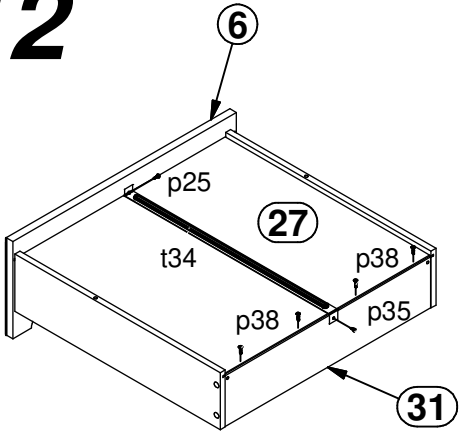
# 10



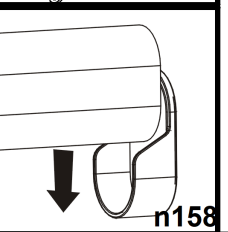
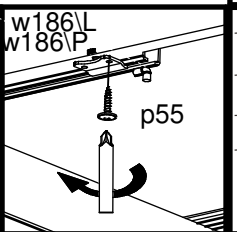
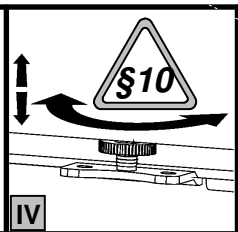
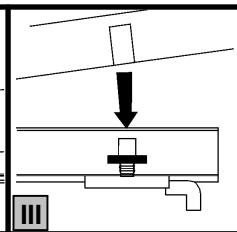
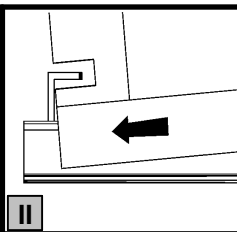
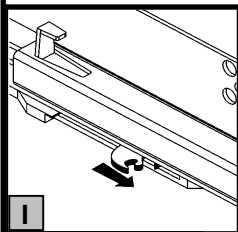
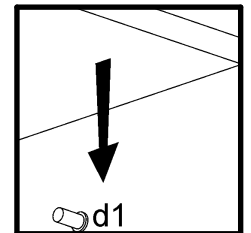
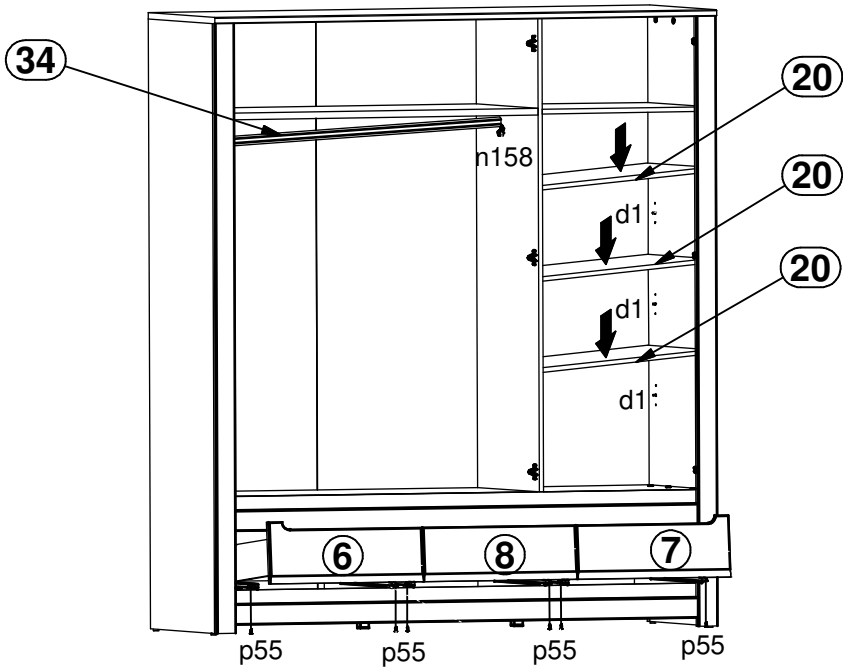
# 11



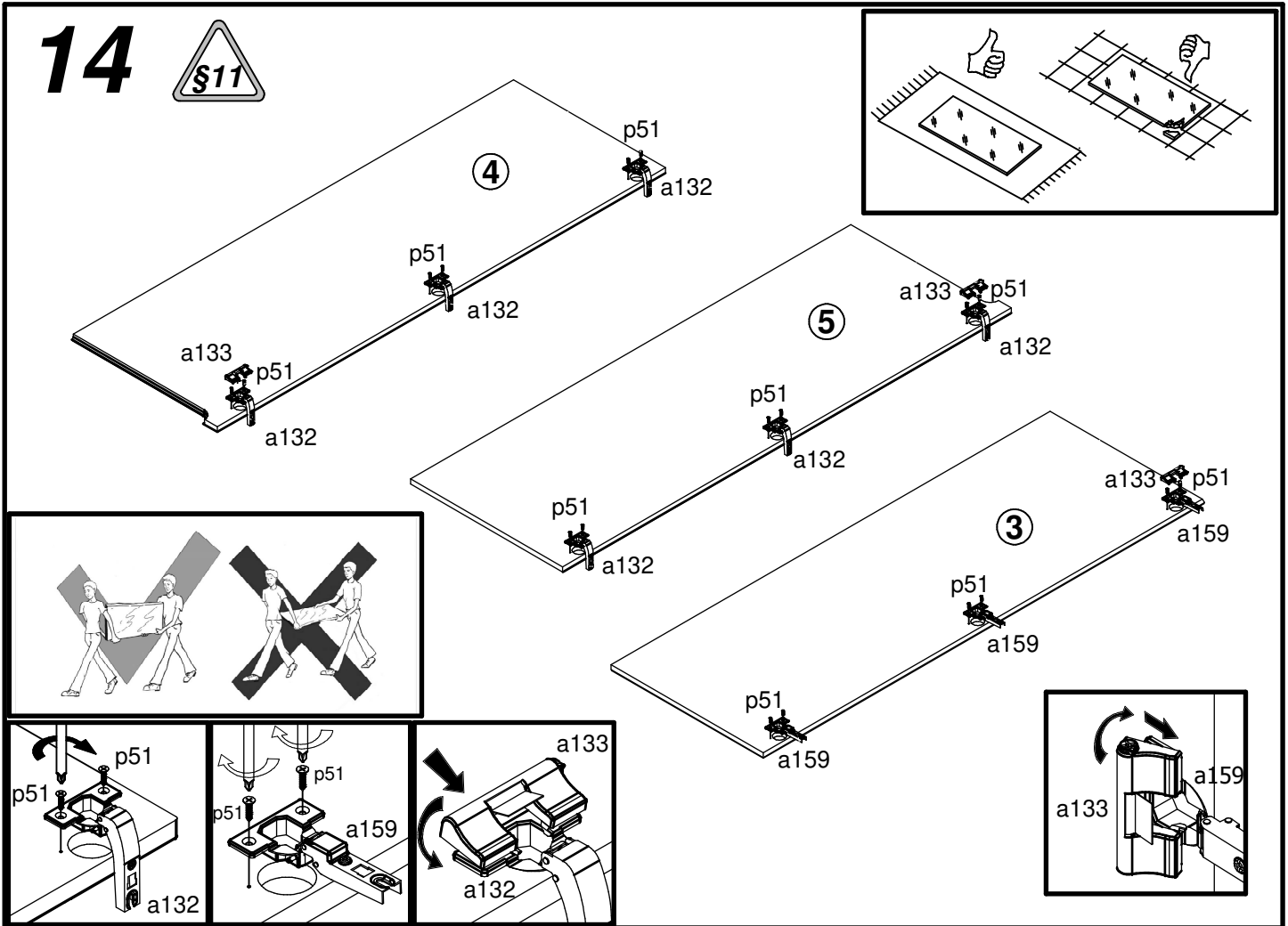
# 12



# 13



# 14



# 15

