

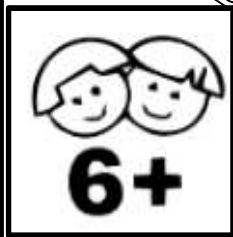
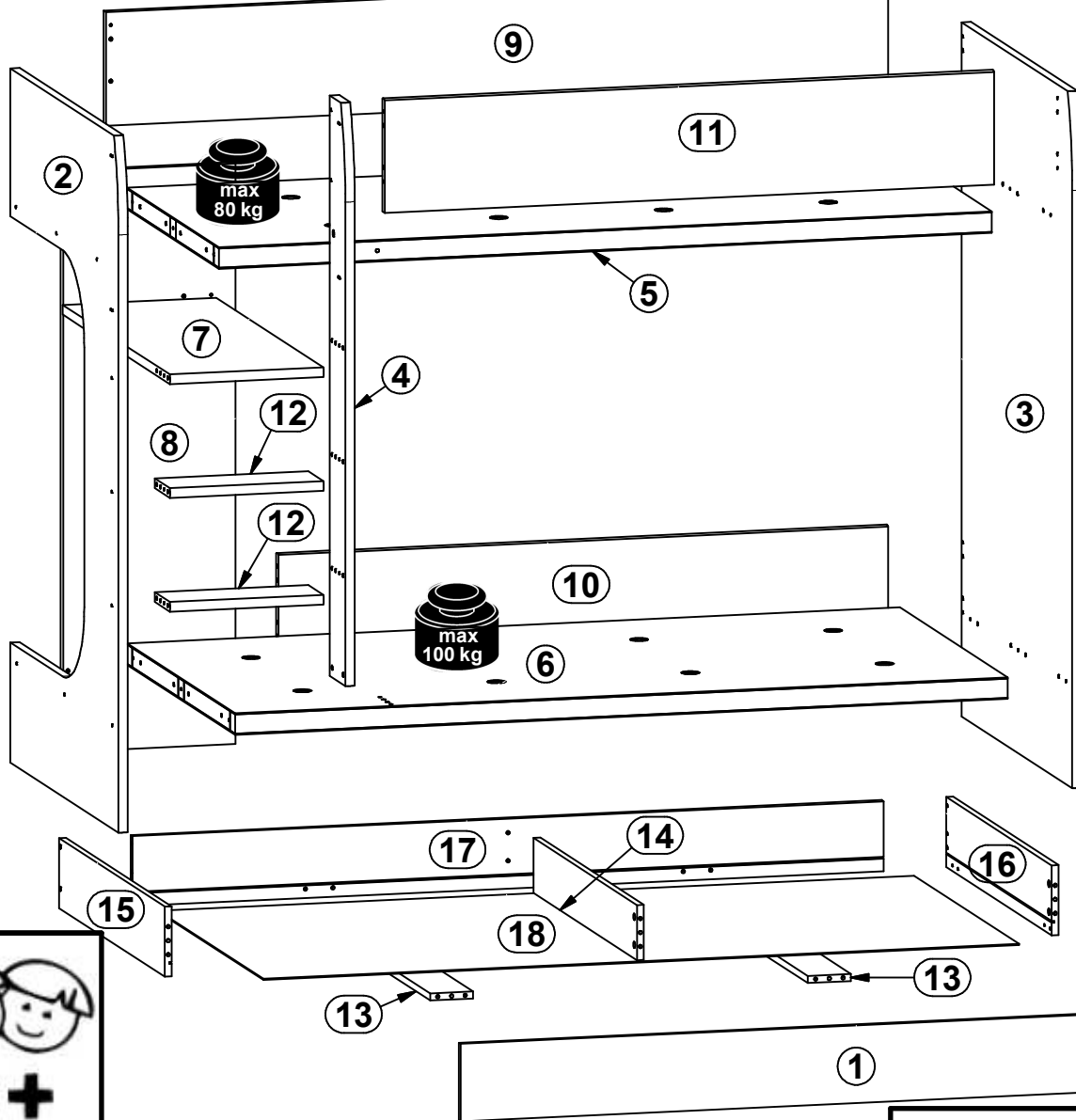
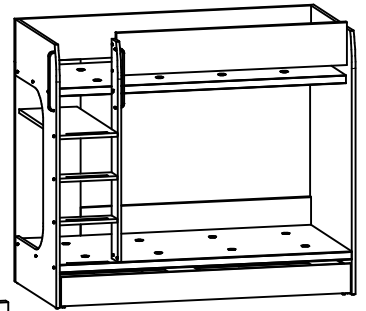
**A**

# NANDU

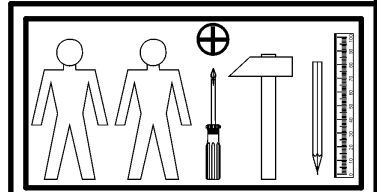
**S441-LOZ1S/90/P**

A	B	C	D
1	S406-0011	1784	177
2	S406-1022	1586	943
3	S406-1023	1586	965
4	S208-130	1326	138
5	S406-3021	1800	800
6	S406-3022	1800	940
7	S208-324	934	358
8	S406-4036	1326	402
9	S406-4037	1822	260

A	B	C	D
10	S208-416	1420	220
11	S406-4038	1420	260
12	S208-418	134	358
13	S208-419	901	100
14	S208-420	901	126
15	S208-510	918	160
16	S208-511	918	160
17	S208-512	1750	160
18	S208-910	1760	914

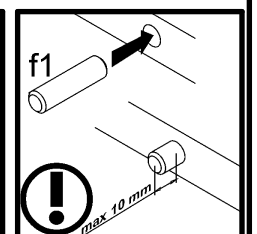
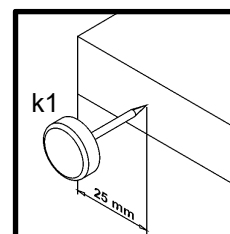
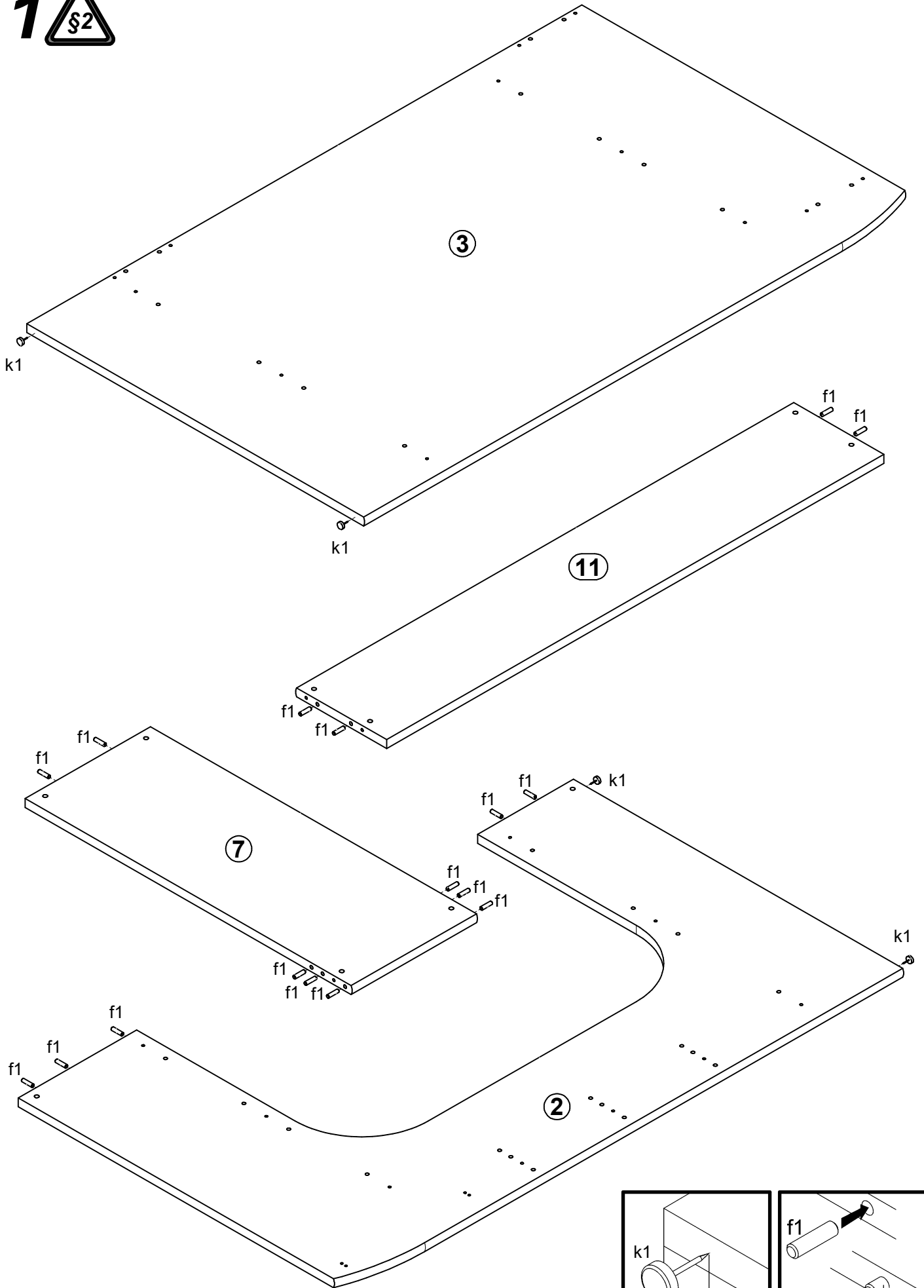


PN-EN 747-1+A1:2015-08 (EN 747-1:2012+A1:2015)  
 PN-EN 747-2+A1:2015-08 (EN 747-2:2012+A1:2015)

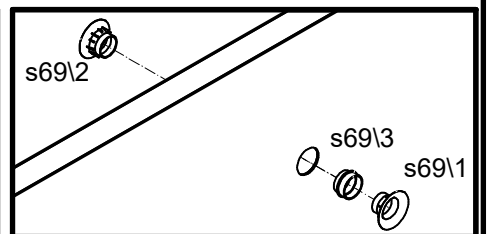
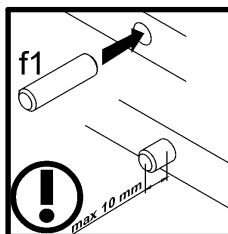
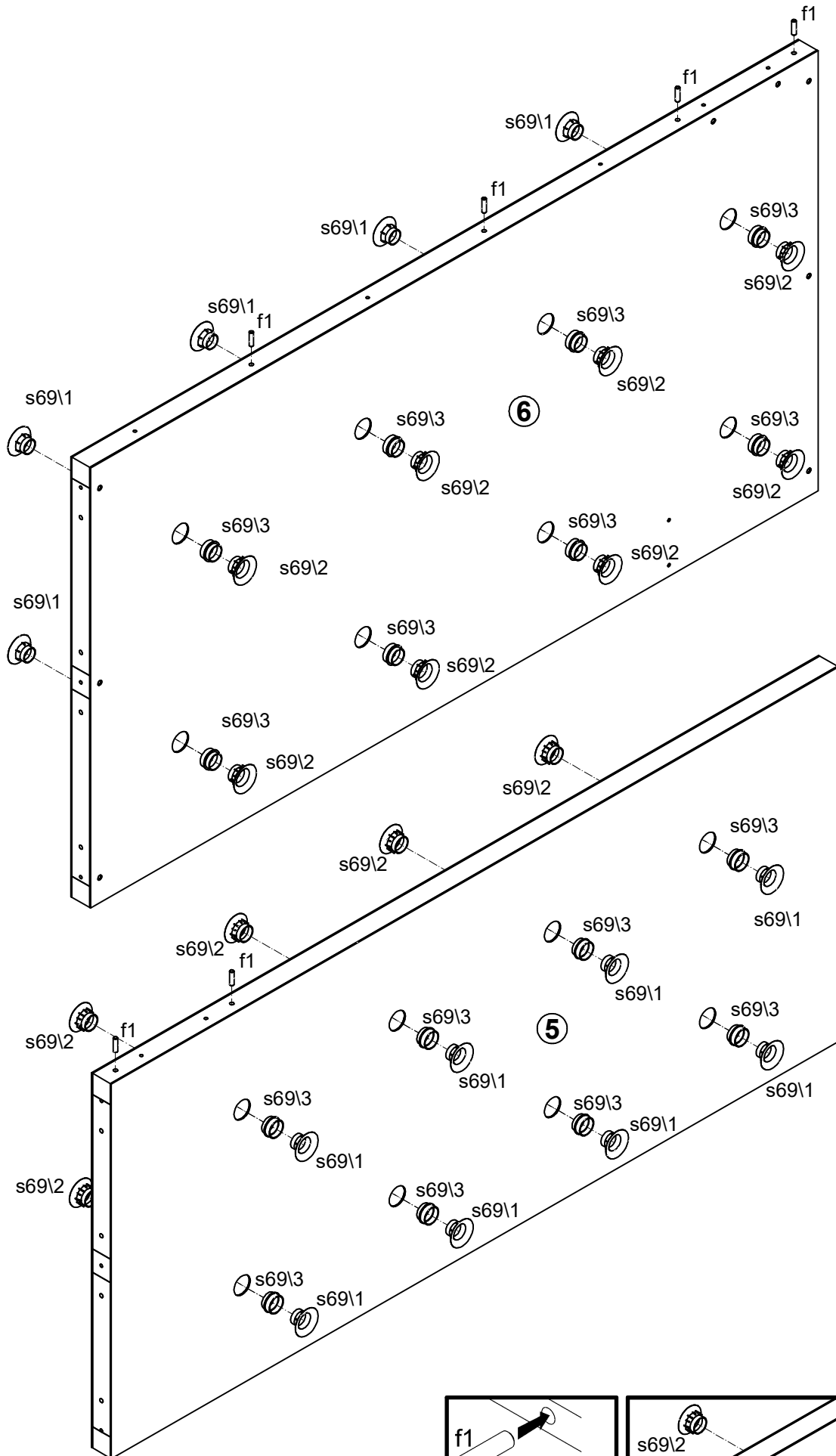


2x 352 mm c367	13x Ø7x50 mm e1	8x Ø6.3x13 mm e2	64x Ø8x30 mm f1	5x Ø8x50 mm f6	8x M4x32 mm j73	2x M6x84 mm j117	34x M6x60 mm j144	4x k1
4x k44	14x l2	8x Ø3.5x16 mm p38	10x Ø15x12 mm #16 r1	5x r10	10x Ø15x15 mm #22 r3	10x r42	36x Ø10x16 mm r43	4x s1
9x Ø16 s2	16x Ø32 mm s69\1	16x Ø32 mm s69\2	16x Ø32 mm s69\3	4x u41\1	1x z1			

1 



# 2

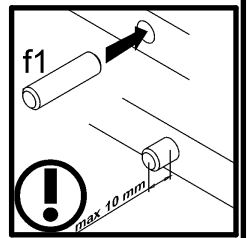
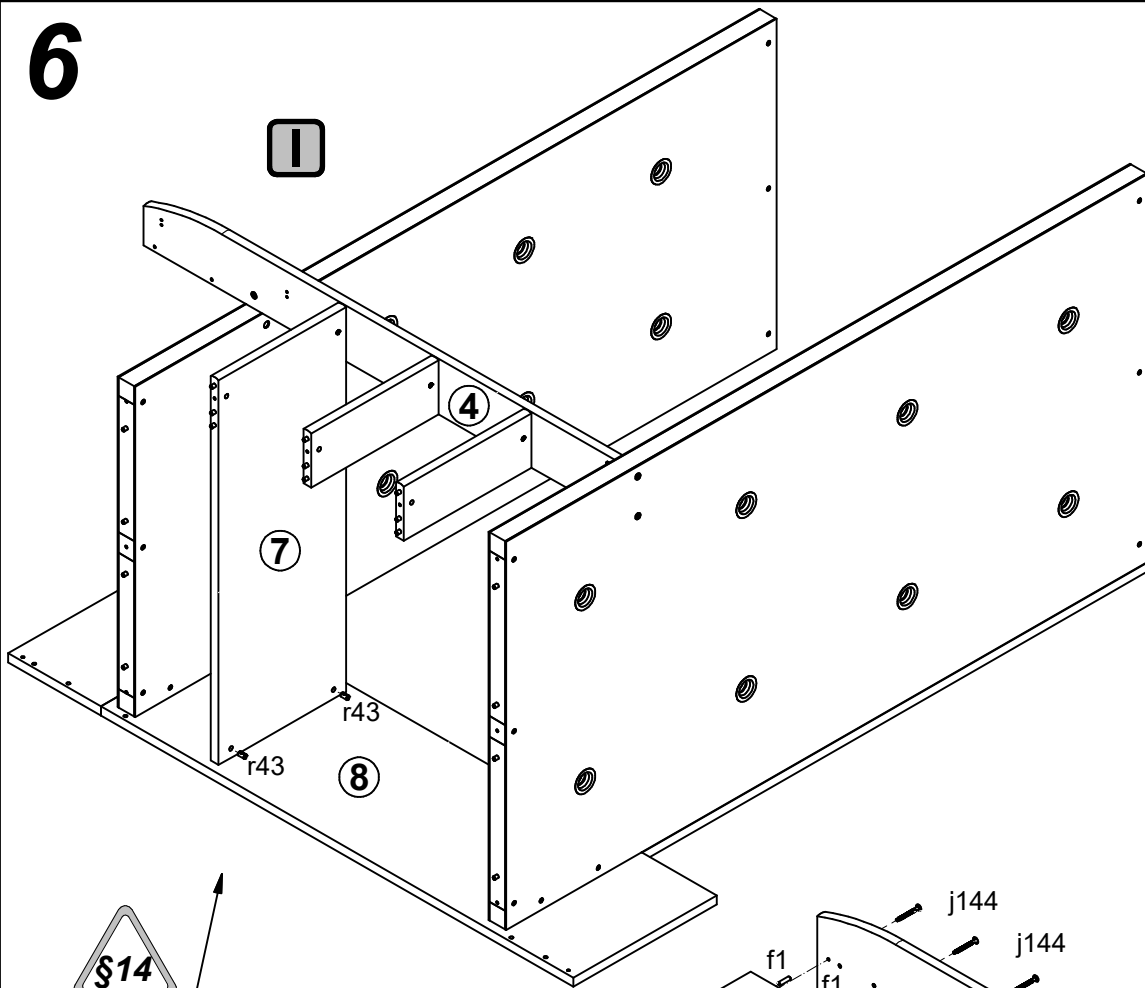




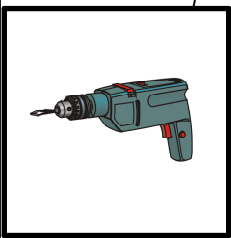


# 6

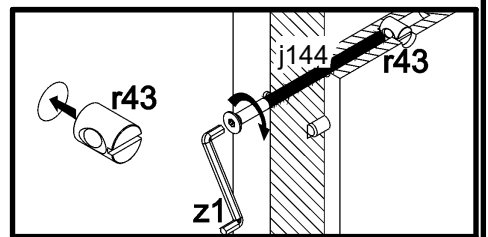
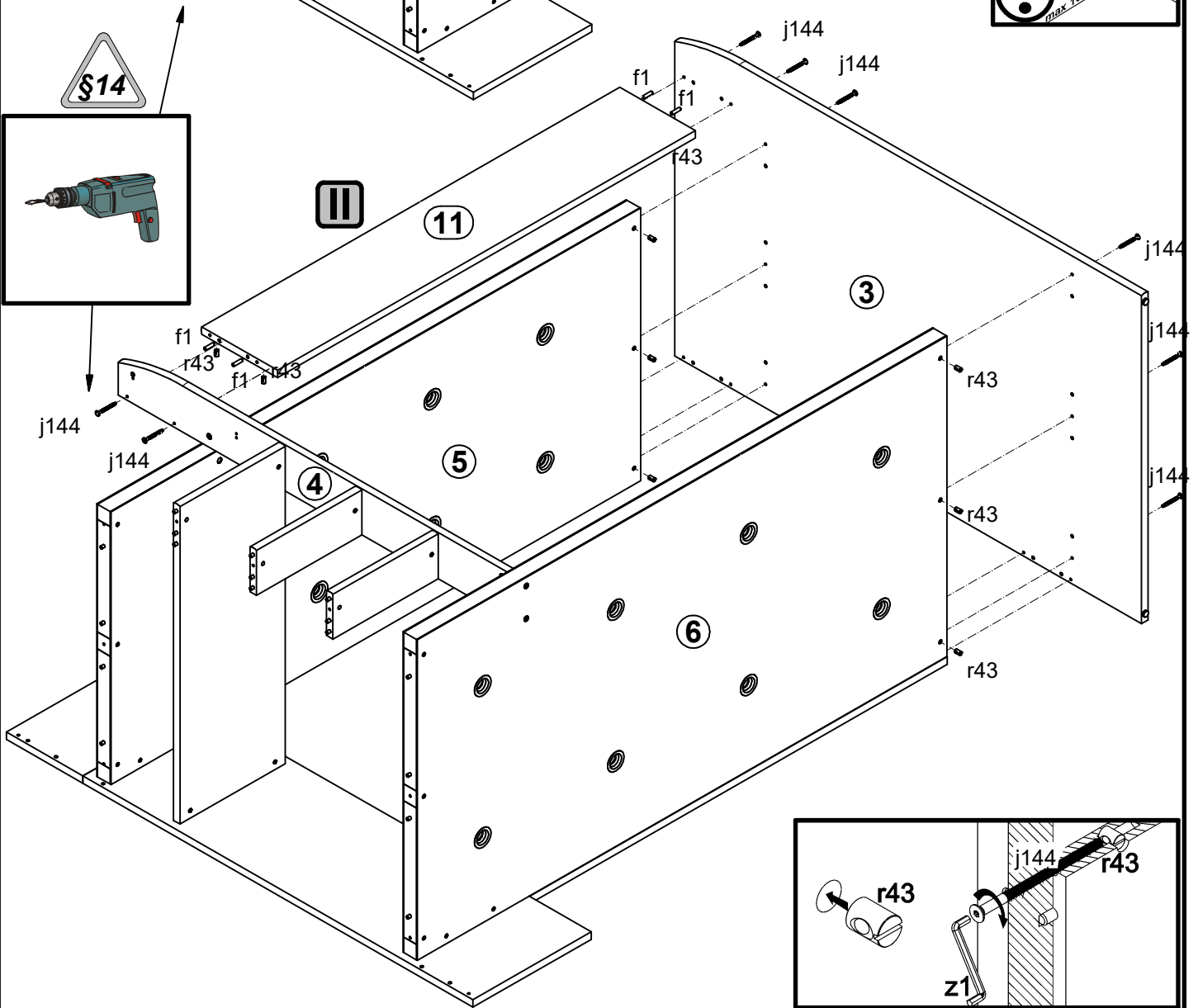
## I



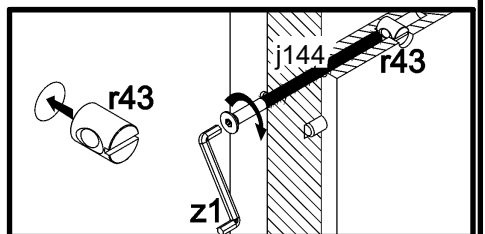
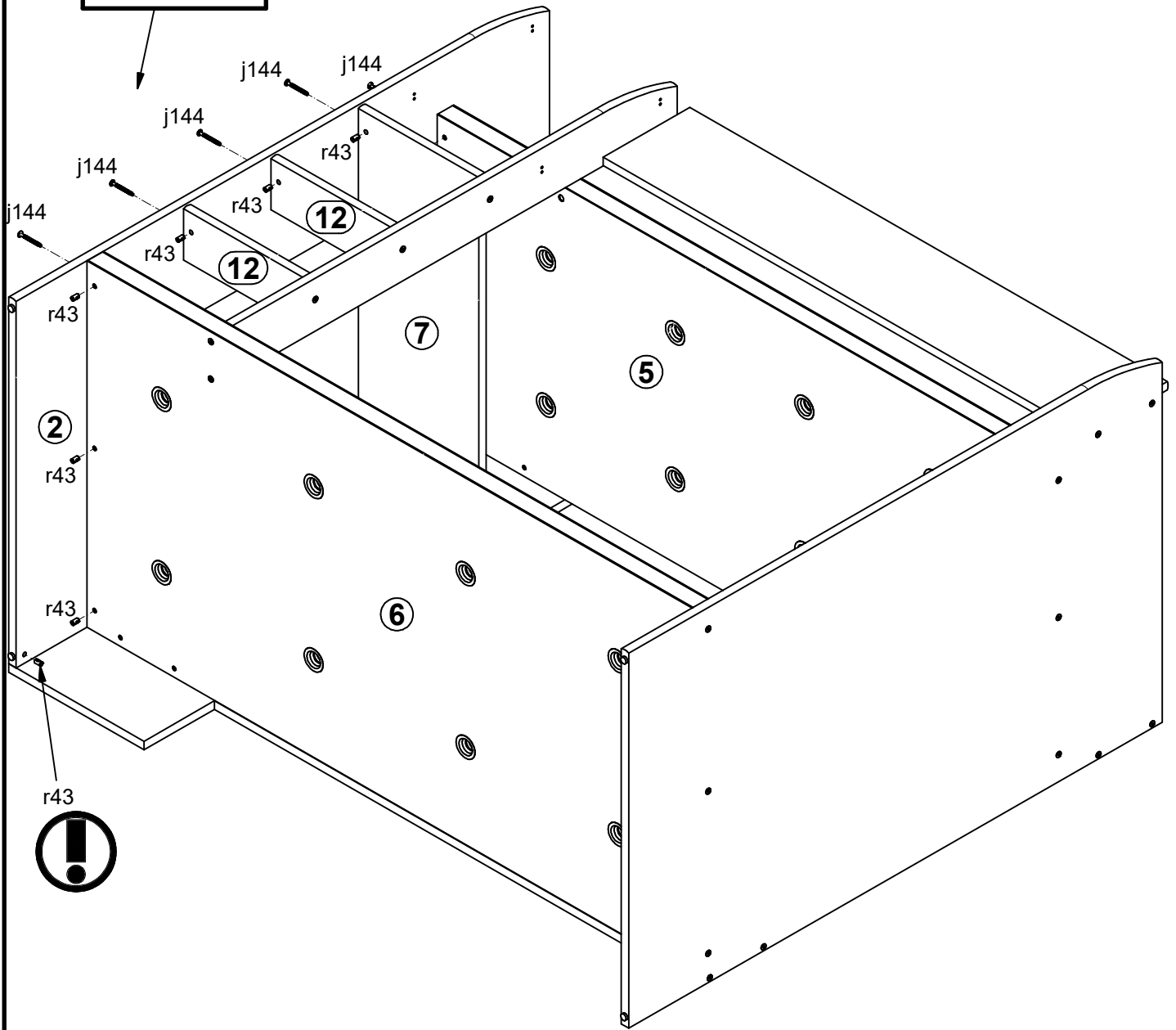
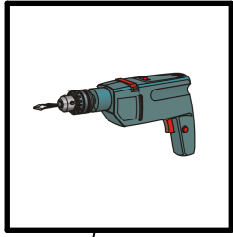
§14



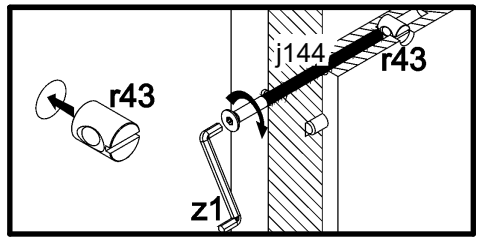
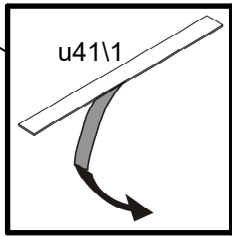
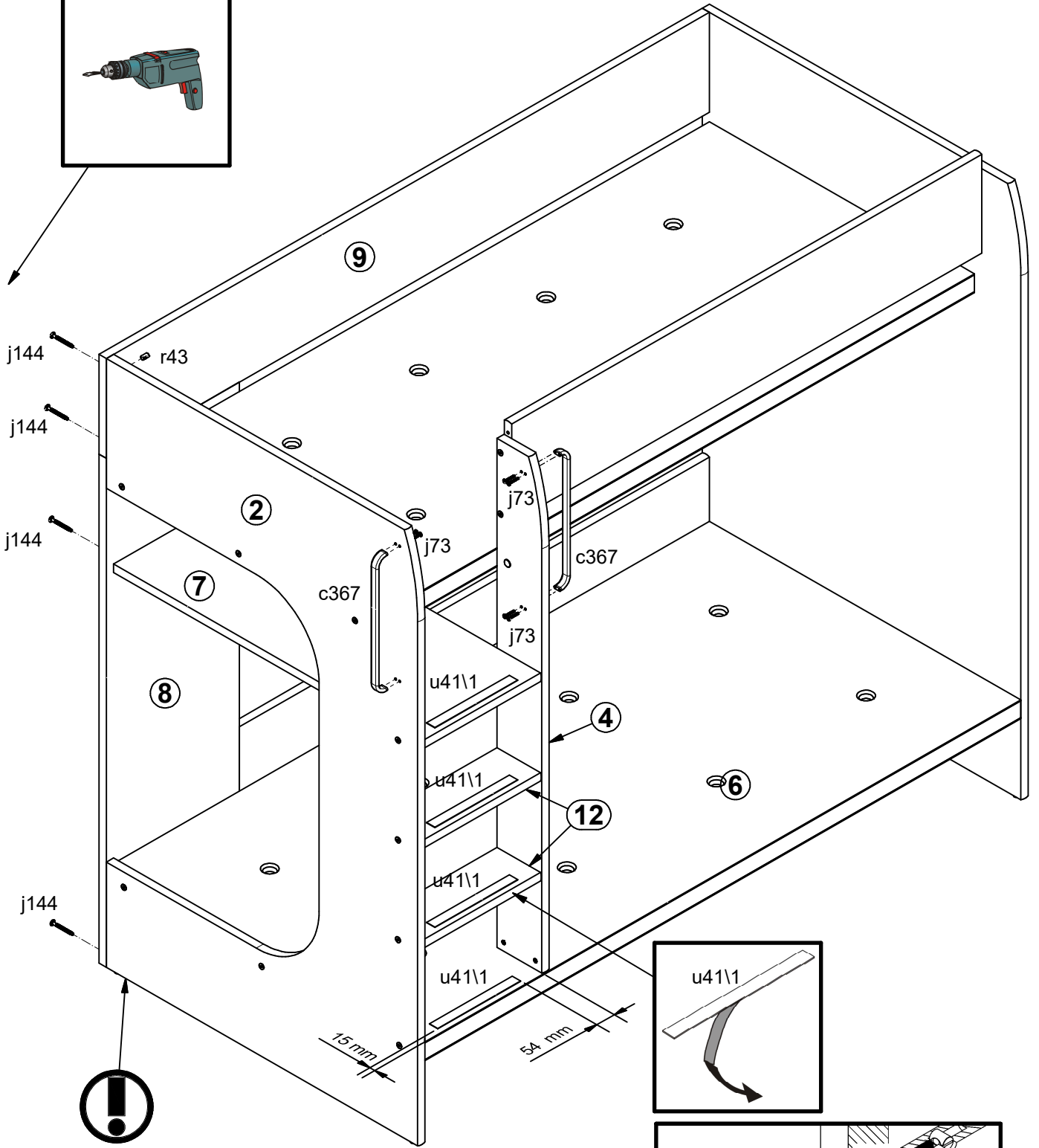
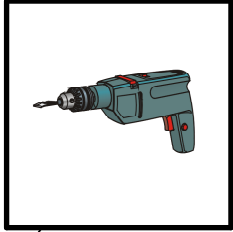
## II



# 7

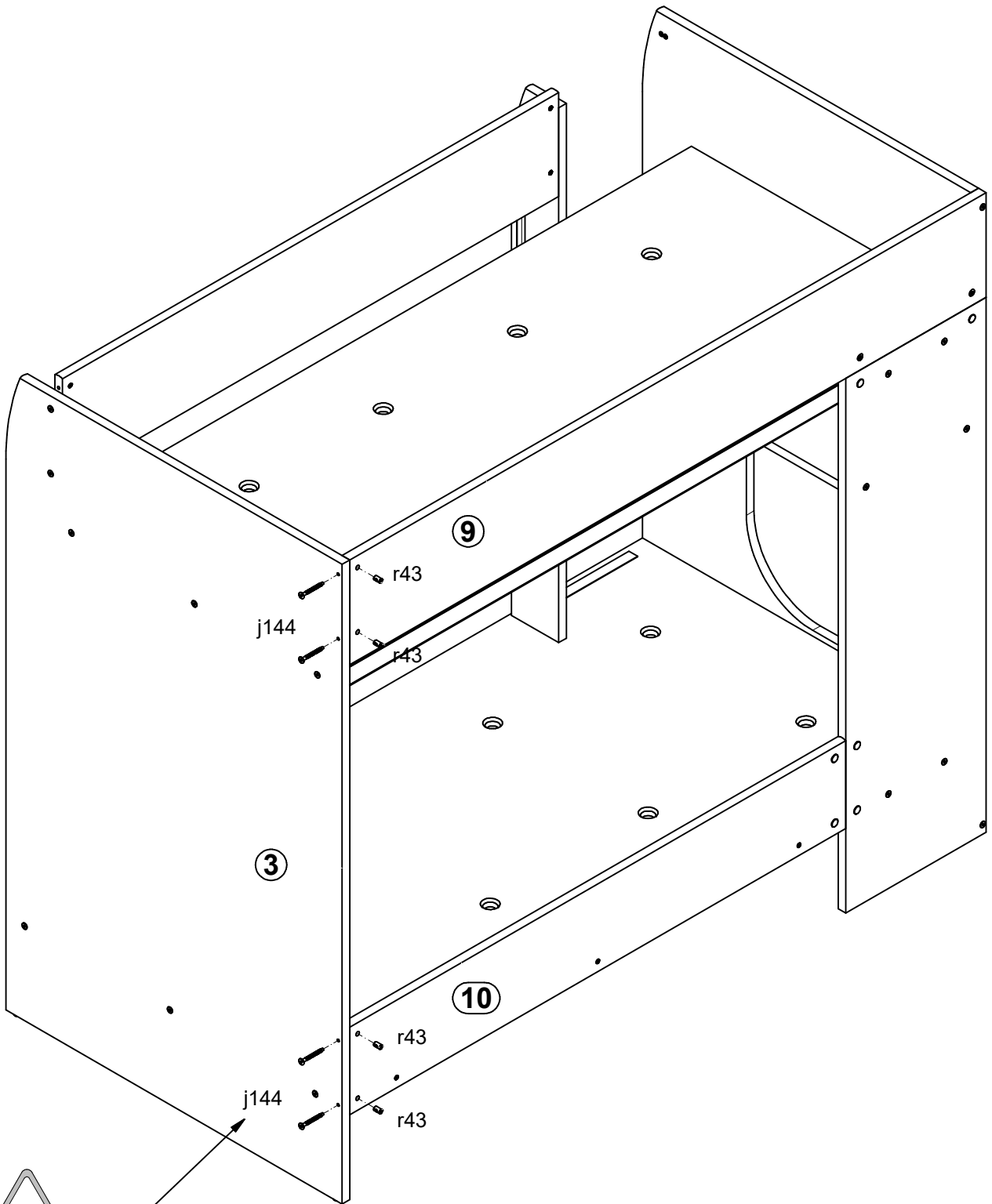


# 8

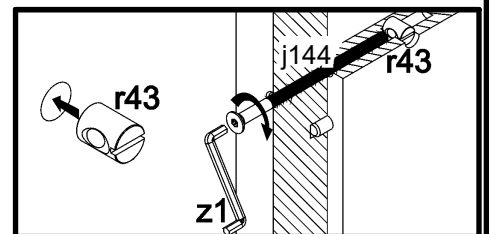
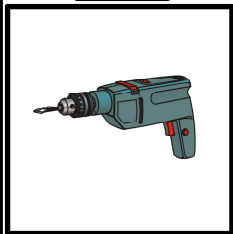




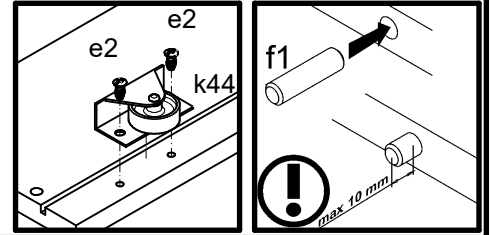
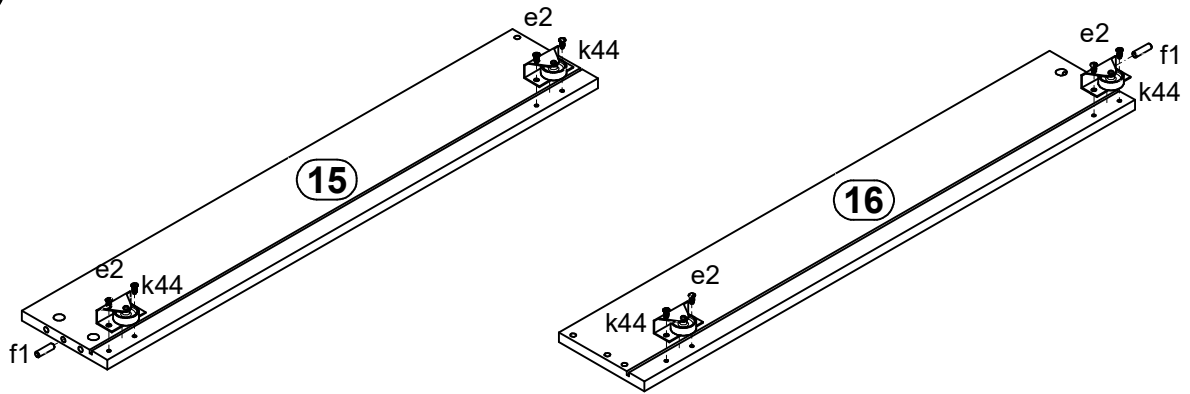
# 9



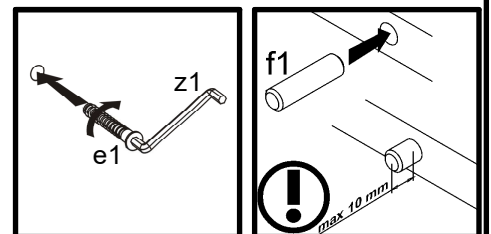
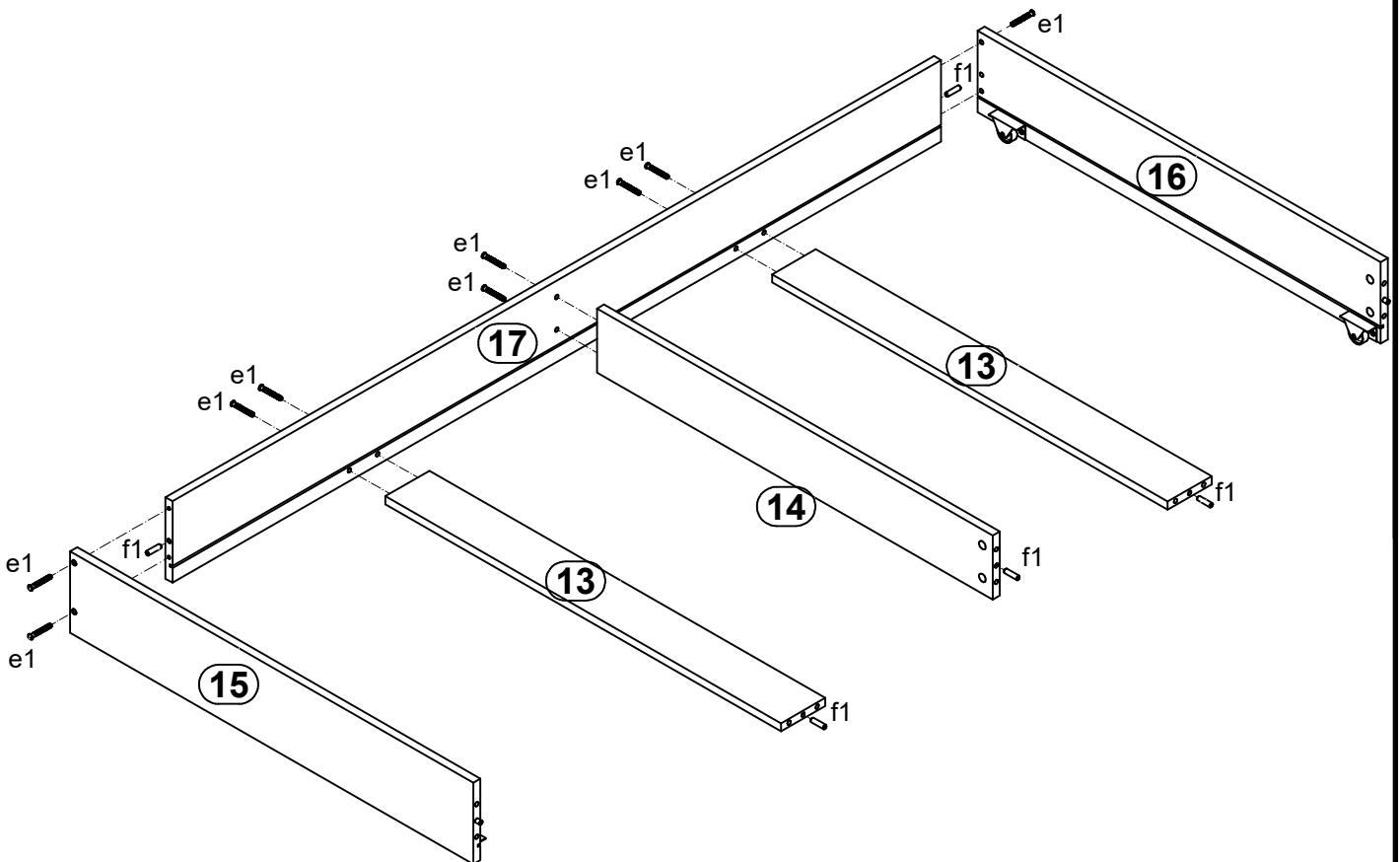
§14



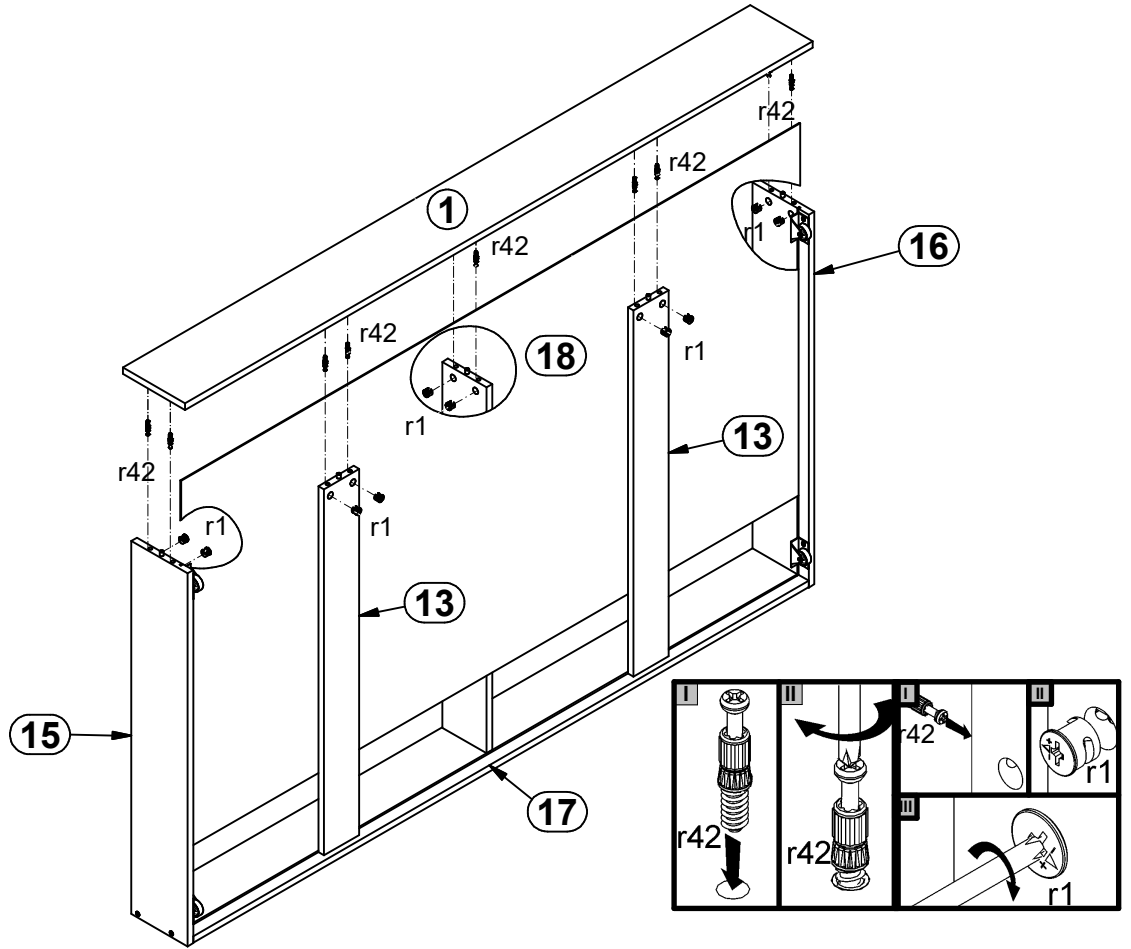
# 10



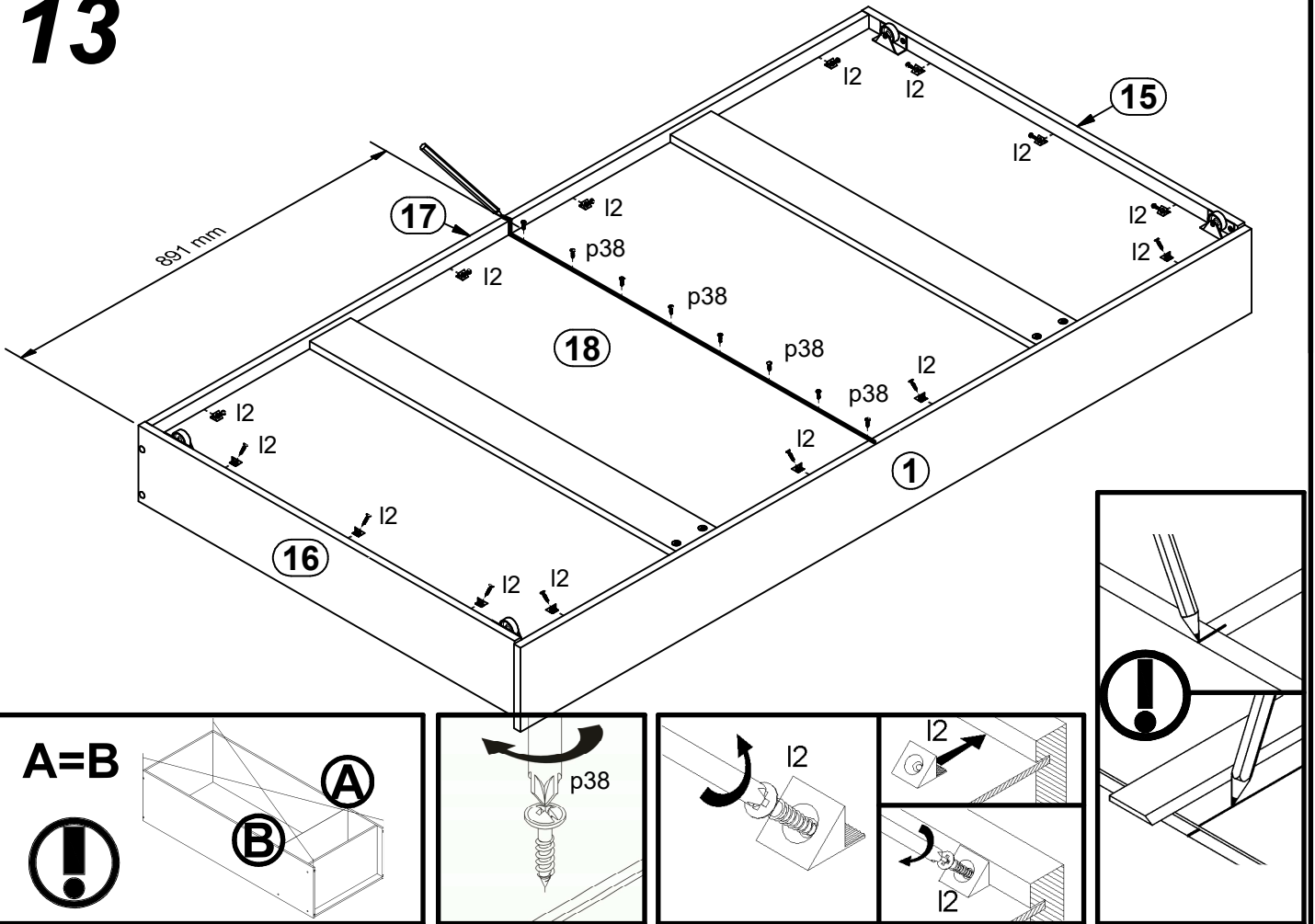
# 11



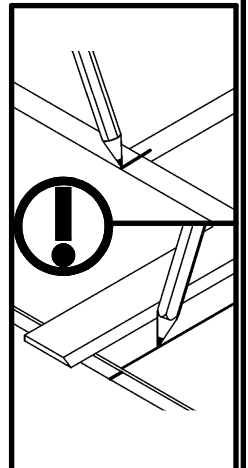
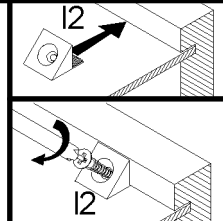
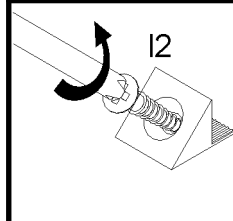
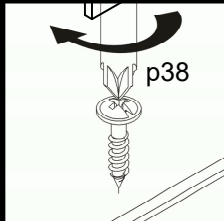
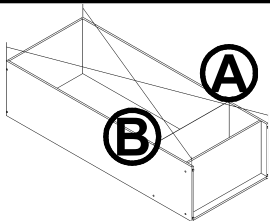
# 12



# 13



A=B



# 14



Max -120 mm

