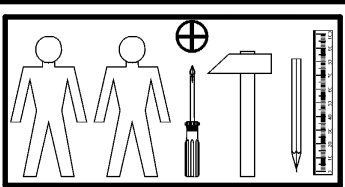
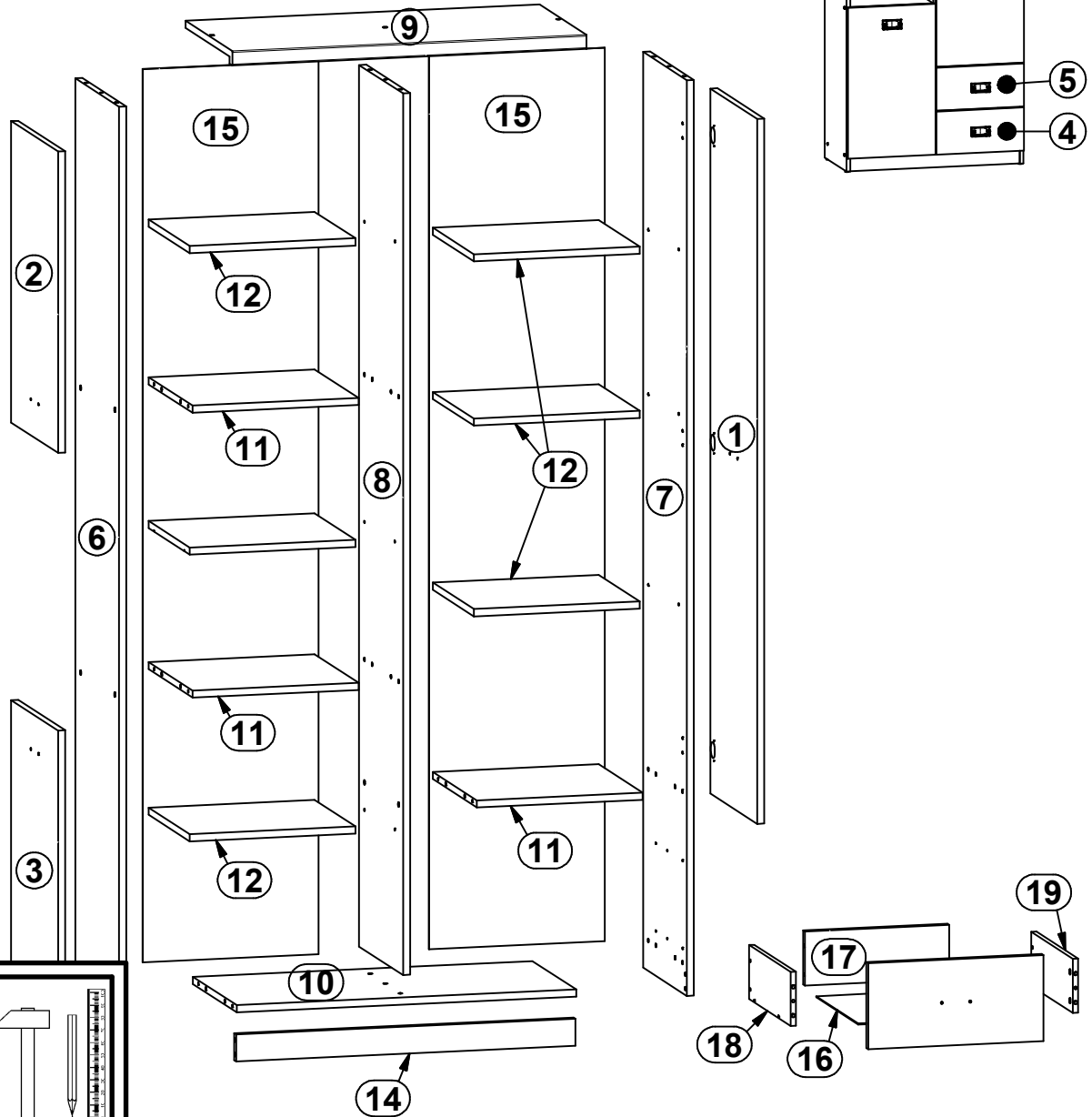
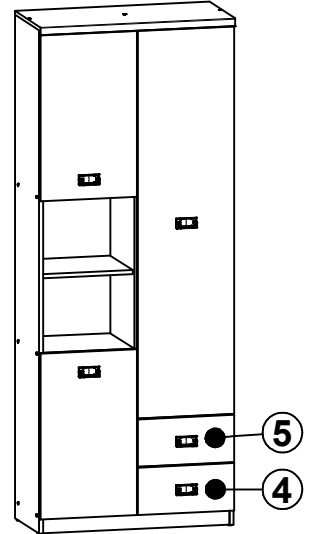
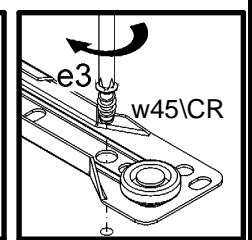
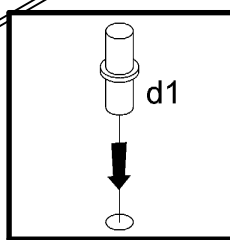
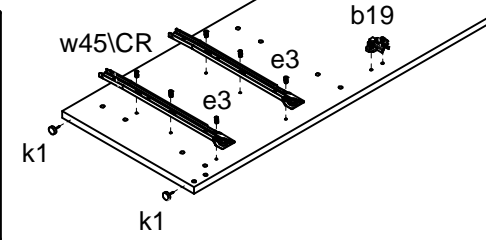
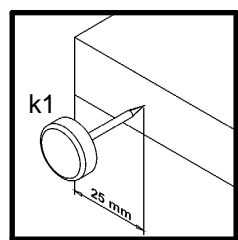
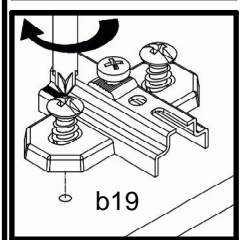
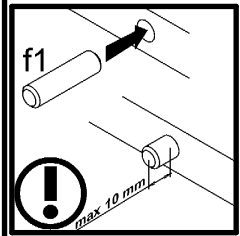
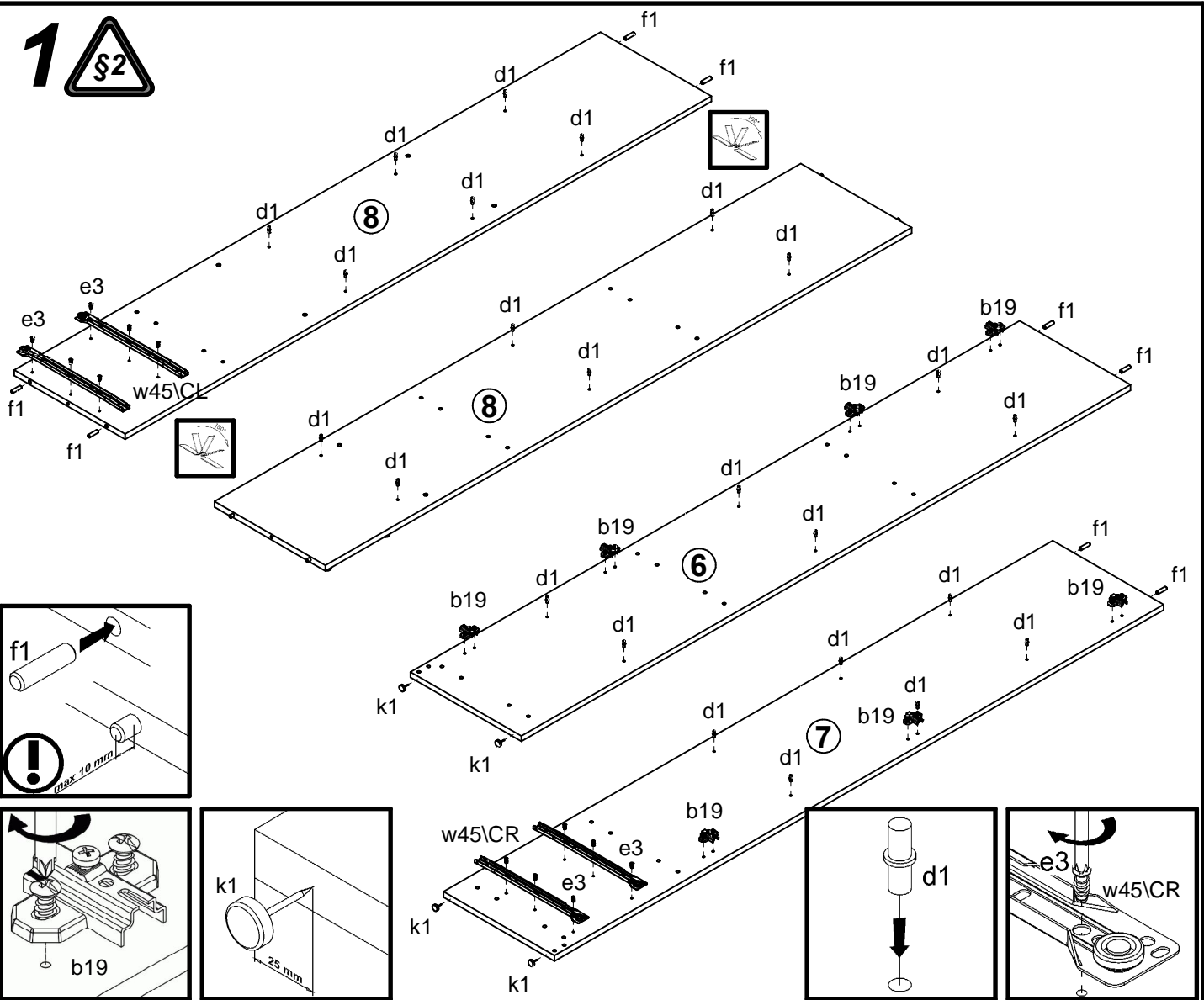


A	B	C	D	A	B	C	D
1	S325-001	1564	396	4/4	11	S325-303	375 370 3/4
2	S325-003	396	669	4/4	12	S325-304	375 345 3/4
3	S325-004	396	669	4/4	13	S325-305	375 345 3/4
4	S325-005	396	191	4/4	14	S325-402	767 60 2/4
5	S325-009	396	191	4/4	15	S325-903	1982 397 1/4
6	S325-103	2032	370	1/4	16	S325-904	348 355 1/4
7	S325-104	2032	370	1/4	17	ZS3-5646	326 120 3/4
8	S325-105	1956	370	1/4	18	ZS4-501	350 120 3/4
9	S325-202	800	395	2/4	19	ZS4-502	350 120 3/4
10	S325-302	767	370	2/4			

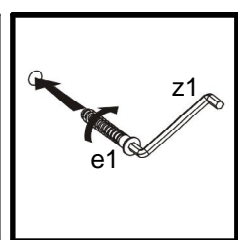
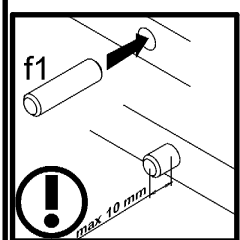
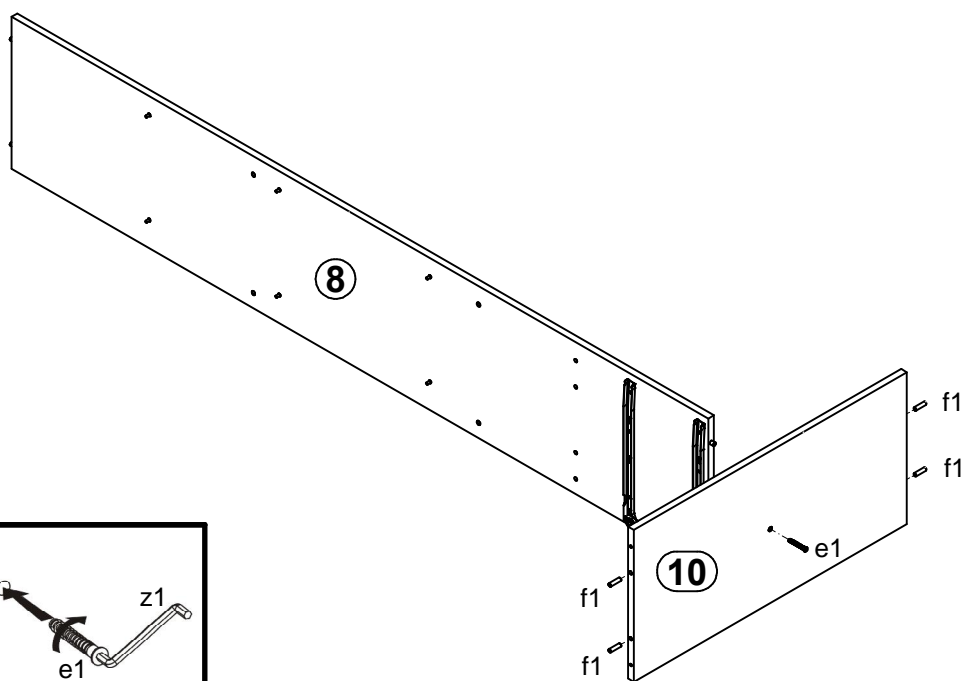


7x a44	7x b19	5x c417 64 mm	24x d1 Ø5x17 mm	20x e1 Ø7x50 mm	12x e3 Ø6x13 mm	8x e19 Ø5x9 mm	28x f1 Ø8x30 mm	4x f9 Ø6x30 mm
8x f25 Ø6.5x40 mm	10x j30 M4x22 mm	4x k1	110x l1	1x n26	10x o21 silikon	7x p38 Ø3.5x16 mm	14x p51 Ø3.5x15 mm	8x r15 Ø12x10.5 mm #12
8x r42 20/11	16x s1	2x w45\CL 350 mm	2x w45\CR 350 mm	2x w45\DL 350 mm	2x w45\DR 350 mm	1x z1		

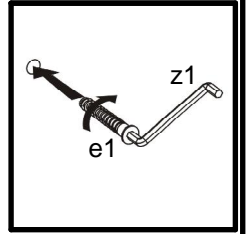
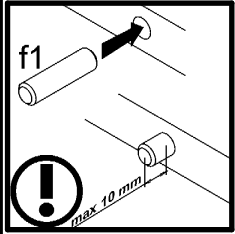
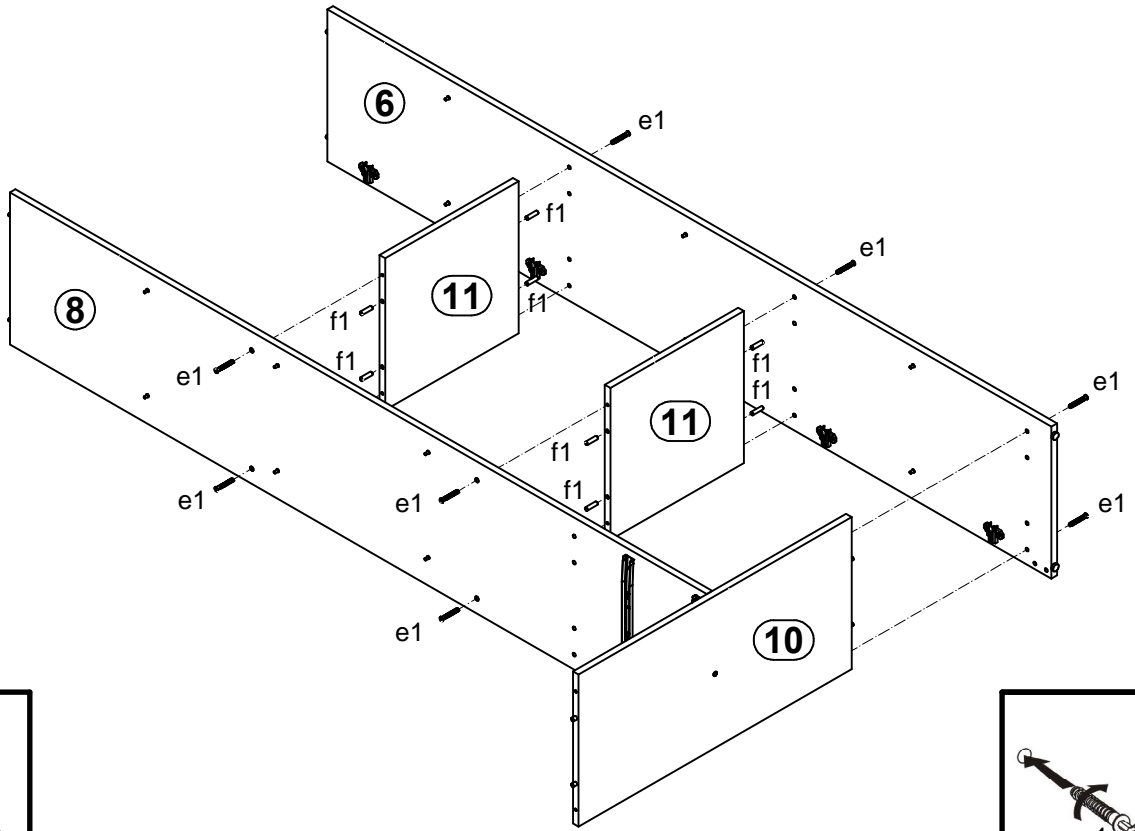
1 



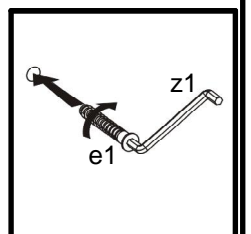
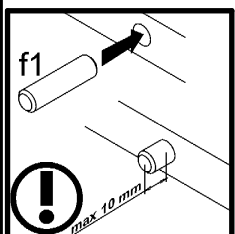
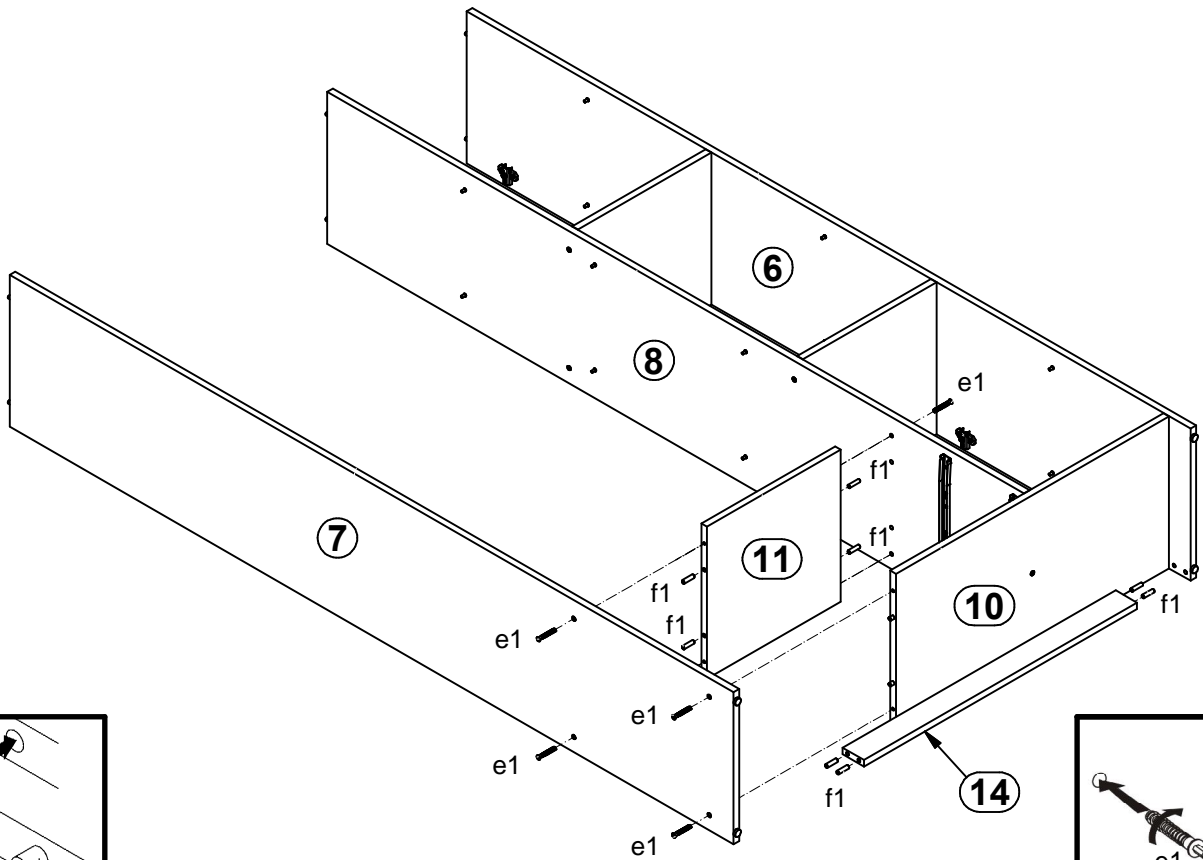
2 



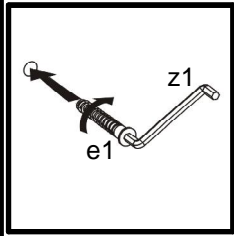
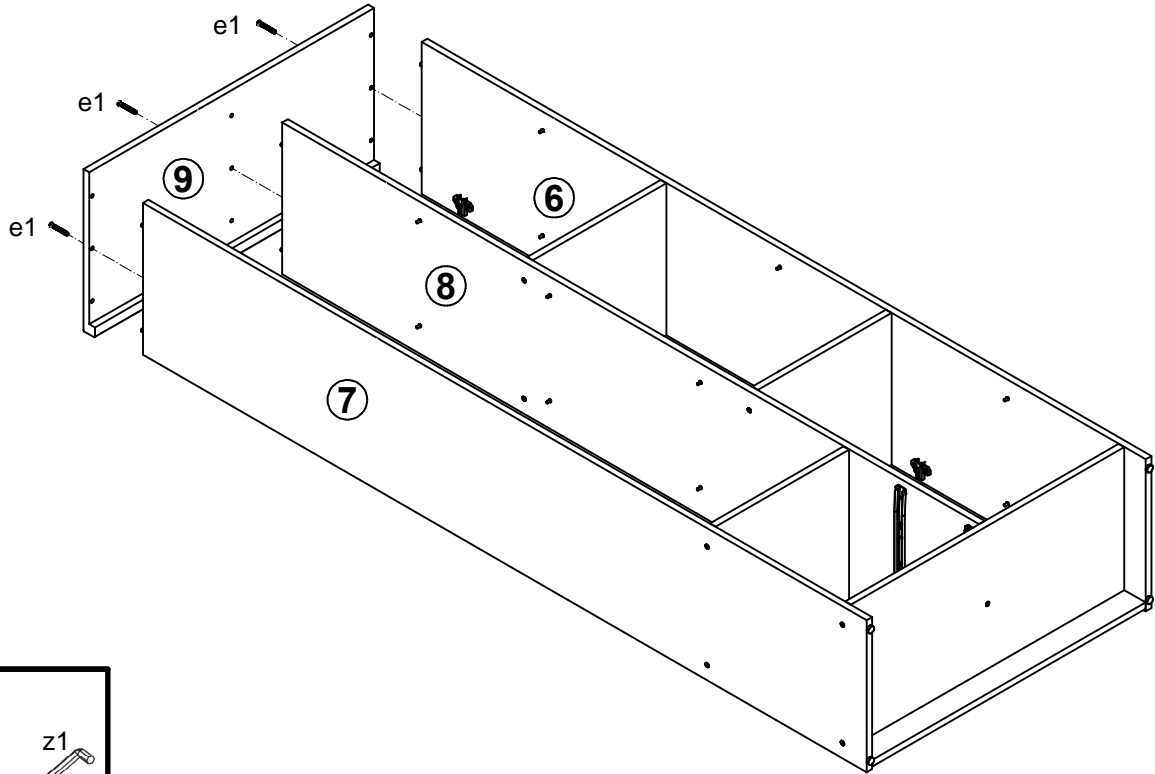
3



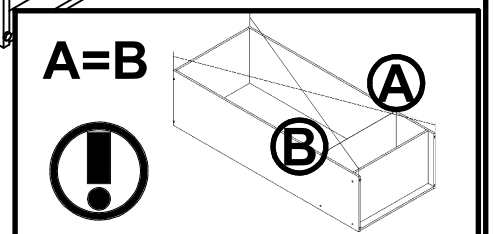
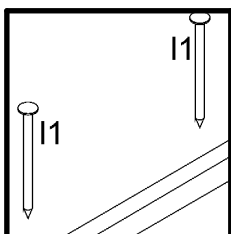
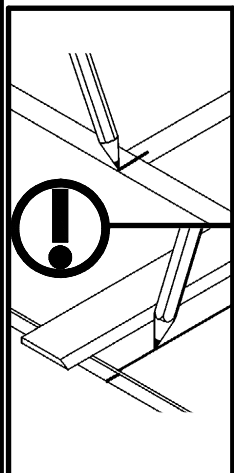
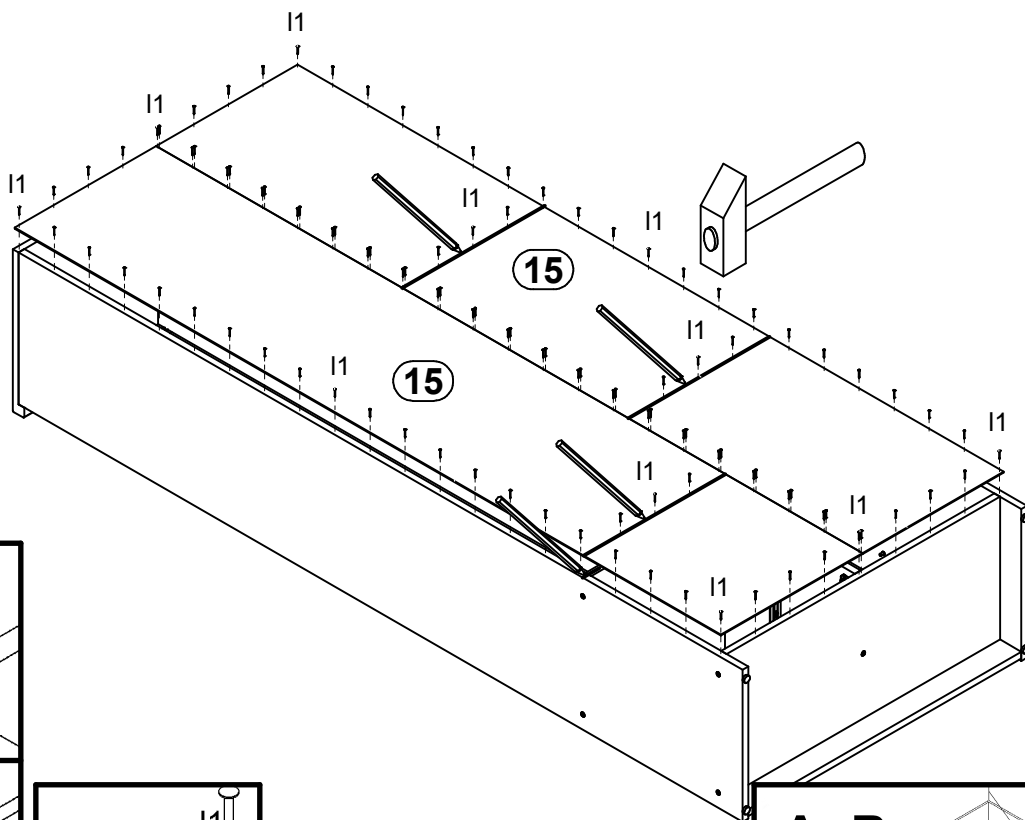
4



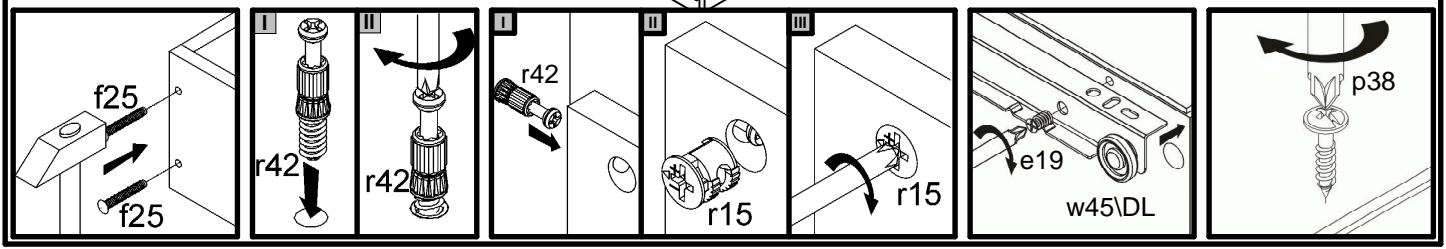
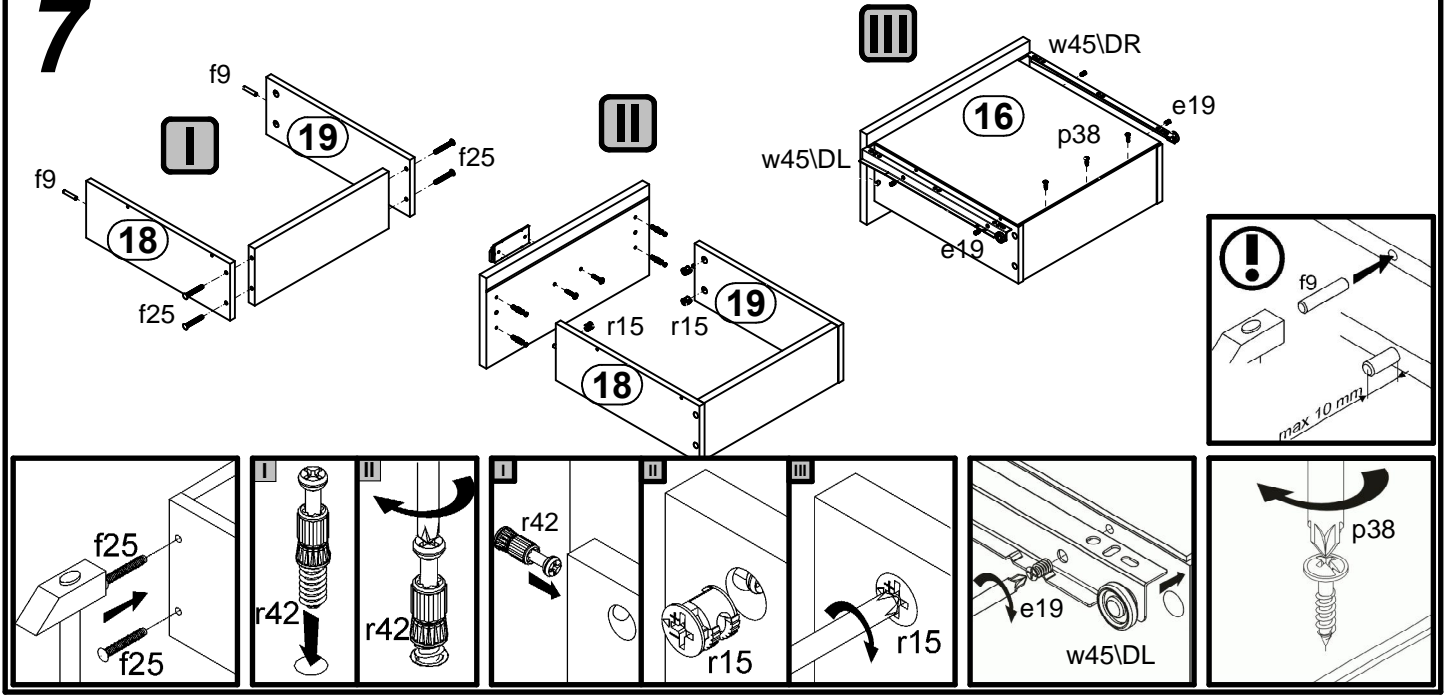
5



6



7



8

